



Self-priming centrifugal pump for domestic applications such as domestic systems where air is mixed with water. Recommended in combination with pressure set for water transfer, rainwater harvesting and garden irrigation systems.

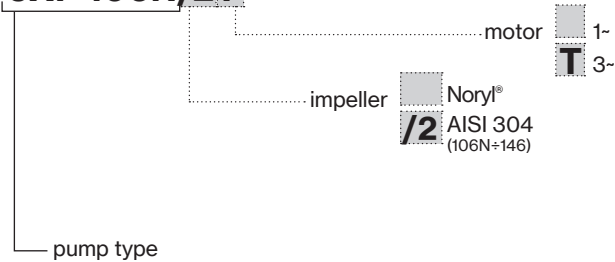
### Construction features

<b>Pump body</b>	stainless steel AISI 304
<b>Motor bracket</b>	aluminum
<b>Impeller</b>	Noryl®; steel AISI 304 (106N, 126, 146)
<b>Mechanical seal</b>	ceramic-graphite-NBR
<b>Motor shaft</b>	stainless steel AISI 416
<b>Liquid temperature</b>	0 - 50 °C
<b>Operating pressure</b>	max 8 bar

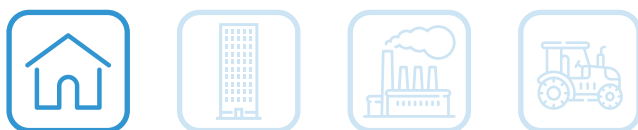
### Motor

	3~ 230/400V-50Hz
<b>2 Poles induction motor</b>	1~ 230V-50Hz (with thermal protection)
<b>Insulation class</b>	F
<b>Protection degree</b>	IPX4

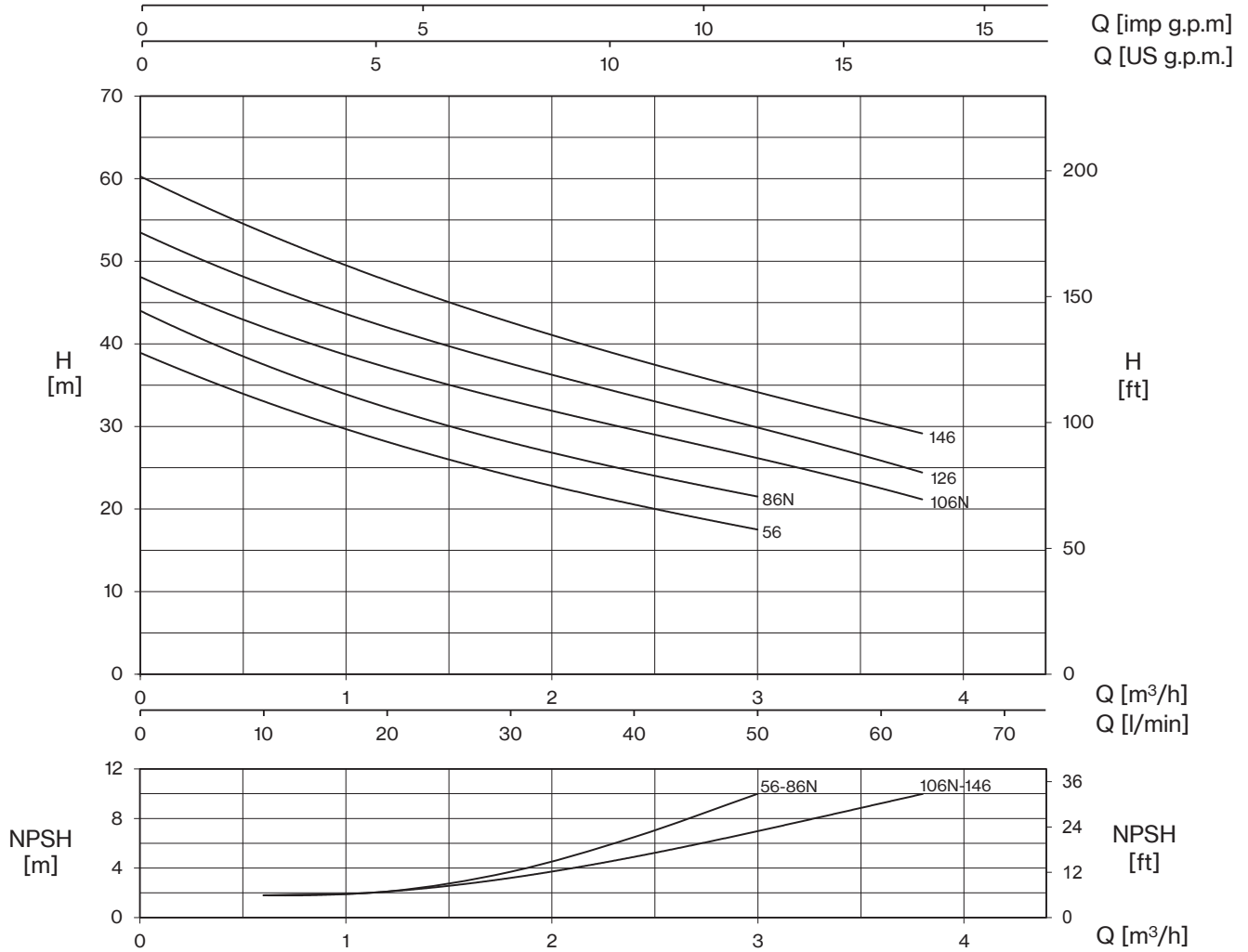
### JXF 106N/2T



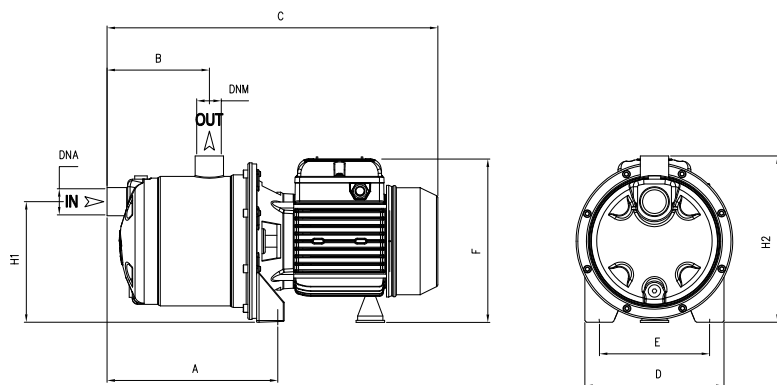
TYPE	LOTS			
	TRUCK		CONTAINER	
	PALLET (cm)	N° pumps	PALLET (cm)	N° pumps
<b>JXF 56-146</b>	85×110×150	60	85×110×190	80



# JXF



TYPE		P2		P1 (kW)		AMPERE		Q (m³/h - l/min)							
1~	3~	HP	kW	1~	3~	1~	3~	0	0,6	1,2	1,8	2,4	3	3,6	3,8
								0	10	20	30	40	50	60	63,3
						1x230 V 50 Hz	3x400 V 50 Hz	H (m)							
JXF 56	JXF 56 T	0,6	0,44	0,67	0,63	2,9	1,2	38,9	33,1	28,1	24,0	20,6	17,5		
JXF 86N	JXF 86N T	0,8	0,59	0,75	0,76	3,3	1,4	44,0	37,5	32,3	28,0	24,6	21,5		
JXF 106N	JXF 106N T	1	0,74	1,04	0,92	4,7	1,7	48,0	42,3	37,0	33,0	29,6	26,2	22,7	21,0
JXF 126	JXF 126 T	1,2	0,88	1,14	1,03	5,2	1,9	53,4	47,4	41,9	37,5	33,7	29,9	26,0	24,3
JXF 146	JXF 146 T	1,5	1,1	1,3	1,23	6,0	2,5	60,2	53,6	47,8	42,4	38,0	34,4	30,5	29,0



TYPE	DIMENSIONS (mm)													Kg
	A	B	C	D	E	F	H1	H2	DNA	DNM	I	L	M	
JXF 56	208	128	410	175	140	215	153	210	1" G	1" G	430	210	235	8,5
JXF 86N	208	128	410	175	140	215	153	210			430	210	235	9,5
JXF 106N	208	128	410	175	140	215	153	210			430	210	235	10,5
JXF 126	208	128	410	175	140	215	153	210			430	210	235	11
JXF 146	208	128	410	175	140	215	153	210			430	210	235	11,5