

MULTI EVO

SURFACE PUMPS - HORIZONTAL MULTISTAGE

- Low energy consumption thanks to the highly efficient hydraulic system
- High efficiency
- High reliability - thanks to the durable and innovative design
- Silent operation - improved user comfort thanks to its silent operation
- Compact dimensions
- Wide range



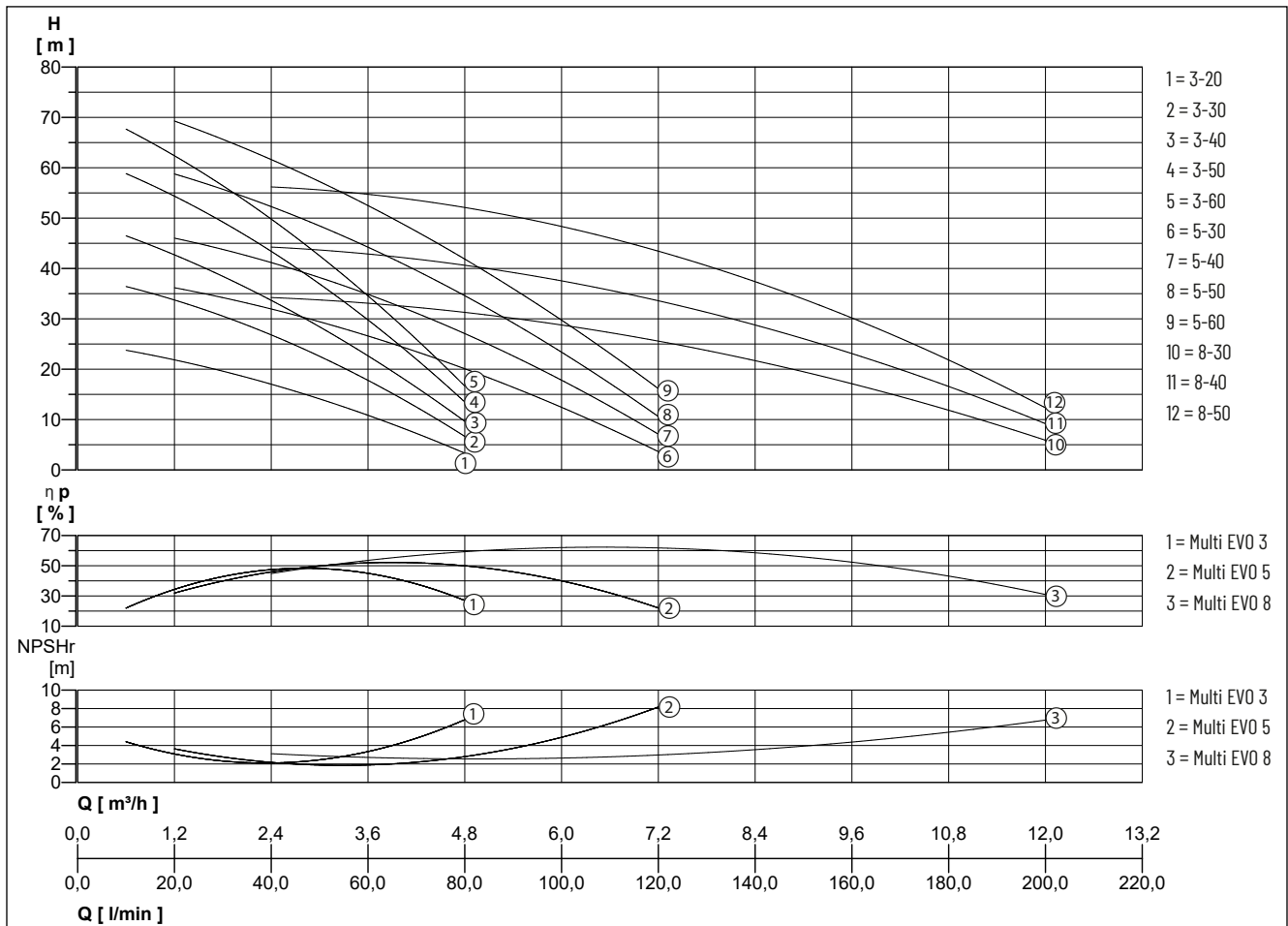
DESCRIPTION

Multi EVO is a multi-stage centrifugal horizontal pump with an inlet with axial thread and an outlet with radial thread. The innovative, high efficiency hydraulic system is connected to a motor of the latest generation with a mechanical seal.

APPLICATIONS

- Pressurization and supply
- Irrigation
- Use of rainwater
- Washing systems

PERFORMANCE



We reserve the right to change specifications without notice. Pump performance is subject to ISO 9906 ISO 9906:2012 - Grade 3B tolerances.

MULTI EVO

SURFACE PUMPS - HORIZONTAL MULTISTAGE

| Type | Flow rate Q [m³/h] | 0.6 | 1.2 | 1.8 | 2.4 | 3 | 3.6 | 4.8 | 6 | 7.2 | 8.4 | 9.6 | 10.8 | 12 |
|--------------------|---------------------|------|------|------|------|------|------|------|------|------|------|------|------|----|
| MULTI EVO 3-20M | Delivery head H [m] | 23.5 | 22.0 | 20.0 | 17.0 | 14.0 | 10.5 | 3.5 | | | | | | |
| MULTI EVO 3-30 M/T | | 36.0 | 34.0 | 31.0 | 27.0 | 22.5 | 17.0 | 7.0 | | | | | | |
| MULTI EVO 3-40 M/T | | 46.0 | 43.0 | 39.0 | 34.0 | 28.0 | 22.0 | 10.0 | | | | | | |
| MULTI EVO 3-50 M/T | | 58.0 | 55.0 | 50.0 | 44.0 | 36.0 | 29.0 | 14.0 | | | | | | |
| MULTI EVO 3-60 M/T | | 67.0 | 62.0 | 57.0 | 50.0 | 42.0 | 34.0 | 17.0 | | | | | | |
| MULTI EVO 5-30 M/T | | 36.0 | 34.0 | 32.0 | 30.0 | 27.0 | 19.5 | 12.0 | 4.0 | | | | | |
| MULTI EVO 5-40 M/T | | 46.0 | 44.0 | 41.0 | 38.0 | 35.0 | 27.0 | 18.0 | 7.0 | | | | | |
| MULTI EVO 5-50 M/T | | 58.0 | 56.0 | 53.0 | 49.0 | 44.0 | 34.0 | 23.0 | 11.0 | | | | | |
| MULTI EVO 5-60 M/T | | 69.0 | 66.0 | 62.0 | 57.0 | 52.0 | 42.0 | 30.0 | 16.0 | | | | | |
| MULTI EVO 8-30 M/T | | | | 34.0 | | 33.5 | 31.0 | 29.0 | 25.5 | 22.0 | 16.5 | 12.0 | 6.0 | |
| MULTI EVO 8-40 M/T | | | | 44.5 | | 42.5 | 40.5 | 37.5 | 34.0 | 29.0 | 23.0 | 16.0 | 9.5 | |
| MULTI EVO 8-50 M/T | | | | 56.5 | | 54.5 | 51.5 | 48.5 | 44.0 | 37.5 | 30.0 | 21.5 | 12.5 | |

MECHANICAL DATA

| | | | |
|-----------------|--------------------------------|--------------------------------|---|
| Impeller | PPO reinforced with fibreglass | Operating pressure max. | 8 bar |
| Motor housing | Die-cast aluminium | Type of liquid | clean water without suspended solids or abrasive material |
| Diffuser | PPO reinforced with fibreglass | Temperature of the liquid max. | 50 °C |
| Mechanical seal | Carbon graphite / NBR / SS | Saughöhe max. | 6 m |
| Counterface | Ceramic / NBR | Gasket | NBR 70 Shore A |

ELECTRICAL DATA

| | | | |
|-------------------|-------|--------------------------|----------|
| Type of enclosure | IP 55 | Ambient temperature max. | 40 °C |
| Insulation class | F | Rotation speed | 2850 rpm |

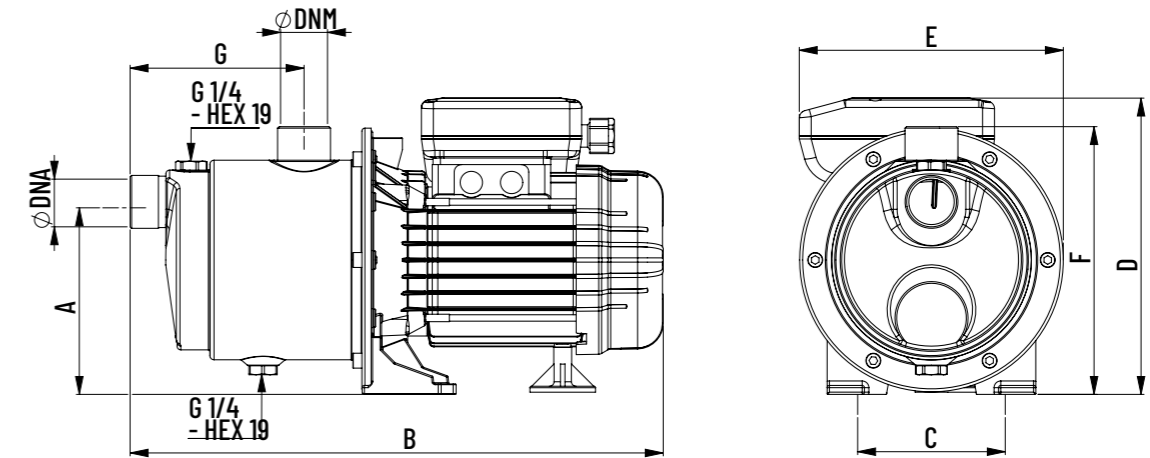
MULTI EVO

| Type | Code No. | Voltage | Motor rating | | Current | Weight |
|------------------|----------|----------------|--------------|---------|---------------|---------|
| | | | P1 | P2 | | |
| MULTI EVO 3-20M | N4252120 | 1/N/PE~230 V | 0.50 kW | 0.30 kW | 2.00 A | 6.7 kg |
| MULTI EVO 3-30 M | N4252130 | 1/N/PE~230 V | 0.65 kW | 0.40 kW | 2.95 A | 6.7 kg |
| MULTI EVO 3-30 T | N4252630 | 3/PE~230/400 V | 0.60 kW | 0.40 kW | 2.30 A/1.30 A | 6.7 kg |
| MULTI EVO 3-40 M | N4252140 | 1/N/PE~230 V | 0.80 kW | 0.55 kW | 3.70 A | 7.1 kg |
| MULTI EVO 3-40 T | N4252640 | 3/PE~230/400 V | 0.70 kW | 0.50 kW | 2.40 A/1.40 A | 7.1 kg |
| MULTI EVO 3-50 M | N4252150 | 1/N/PE~230 V | 1.00 kW | 0.70 kW | 4.40 A | 9.1 kg |
| MULTI EVO 3-50 T | N4252650 | 3/PE~230/400 V | 0.95 kW | 0.75 kW | 3.30 A/1.90 A | 9.1 kg |
| MULTI EVO 3-60 M | N4252160 | 1/N/PE~230 V | 1.25 kW | 0.90 kW | 5.80 A | 10.8 kg |
| MULTI EVO 3-60 T | N4252260 | 3/PE~230/400 V | 1.17 kW | 0.82 kW | 3.50 A/2.00 A | 10.8 kg |
| MULTI EVO 5-30 M | N4254130 | 1/N/PE~230 V | 0.80 kW | 0.55 kW | 3.70 A | 7.1 kg |
| MULTI EVO 5-30 T | N4254630 | 3/PE~230/400 V | 0.70 kW | 0.50 kW | 2.40 A/1.40 A | 7.1 kg |
| MULTI EVO 5-40 M | N4254140 | 1/N/PE~230 V | 1.10 kW | 0.75 kW | 4.70 A | 8.8 kg |
| MULTI EVO 5-40 T | N4254240 | 3/PE~230/400 V | 1.10 kW | 0.75 kW | 3.50 A/2.00 A | 8.8 kg |
| MULTI EVO 5-50 M | N4254150 | 1/N/PE~230 V | 1.35 kW | 0.95 kW | 6.20 A | 10.4 kg |
| MULTI EVO 5-50 T | N4254250 | 3/PE~230/400 V | 1.25 kW | 0.90 kW | 3.70 A/2.10 A | 10.4 kg |
| MULTI EVO 5-60 M | N4254160 | 1/N/PE~230 V | 1.65 kW | 1.20 kW | 7.50 A | 13.5 kg |
| MULTI EVO 5-60 T | N4254260 | 3/PE~230/400 V | 1.57 kW | 1.20 kW | 5.30 A/3.10 A | 13.5 kg |
| MULTI EVO 8-30 M | N4257130 | 1/N/PE~230 V | 1.28 kW | 0.90 kW | 5.90 A | 10.5 kg |
| MULTI EVO 8-30 T | N4257230 | 3/PE~230/400 V | 1.20 kW | 0.90 kW | 3.70 A/2.10 A | 10.5 kg |
| MULTI EVO 8-40 M | N4257140 | 1/N/PE~230 V | 1.66 kW | 1.20 kW | 7.70 A | 13.4 kg |
| MULTI EVO 8-40 T | N4257240 | 3/PE~230/400 V | 1.50 kW | 1.18 kW | 5.00 A/2.95 A | 13.4 kg |
| MULTI EVO 8-50 M | N4257150 | 1/N/PE~230 V | 2.00 kW | 1.40 kW | 9.00 A | 14.5 kg |
| MULTI EVO 8-50 T | N4257250 | 3/PE~230/400 V | 1.95 kW | 1.40 kW | 6.70 A/4.00 A | 14.5 kg |

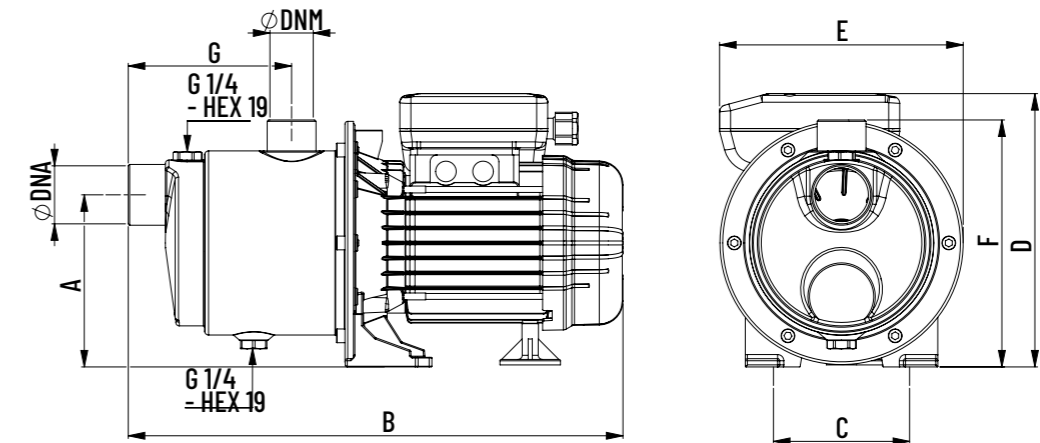
MULTI EVO

SURFACE PUMPS - HORIZONTAL MULTISTAGE

Version 3



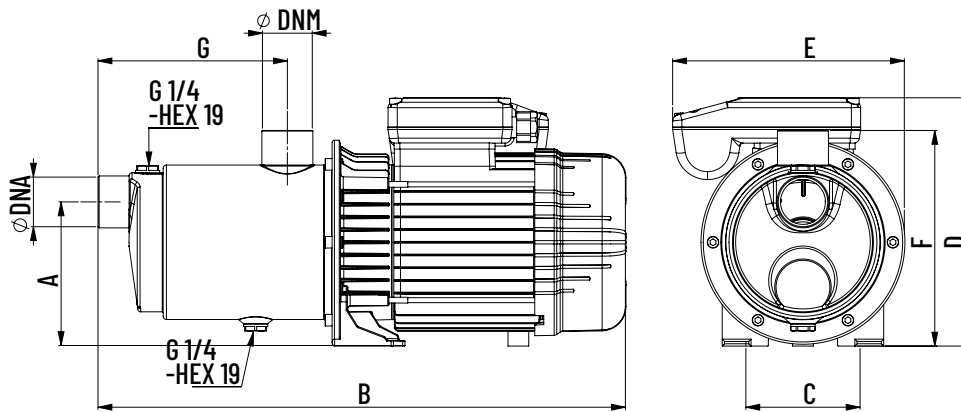
Version 5



MULTI EVO

SURFACE PUMPS - HORIZONTAL MULTISTAGE

Version 8



DIMENSIONS [mm]

| Type | A | B | C | D | F | G | DNA | DNM | E |
|--------------------|-----|-----|-----|-----|-----|-----|--------|--------|-----|
| MULTI EVO 3-20M | 129 | 356 | 100 | 199 | 180 | 116 | 1" | 1" | 177 |
| MULTI EVO 3-30 M/T | 129 | 356 | 100 | 199 | 180 | 116 | 1" | 1" | 177 |
| MULTI EVO 3-40 M/T | 129 | 356 | 100 | 199 | 180 | 116 | 1" | 1" | 177 |
| MULTI EVO 3-50 M/T | 129 | 400 | 100 | 207 | 180 | 139 | 1" | 1" | 177 |
| MULTI EVO 3-60 M/T | 129 | 422 | 100 | 207 | 180 | 161 | 1" | 1" | 177 |
| MULTI EVO 5-30 M/T | 125 | 360 | 360 | 199 | 180 | 119 | 1 1/4" | 1" | 177 |
| MULTI EVO 5-40 M/T | 125 | 380 | 380 | 207 | 180 | 119 | 1 1/4" | 1" | 177 |
| MULTI EVO 5-50 M/T | 125 | 402 | 402 | 207 | 180 | 142 | 1 1/4" | 1" | 177 |
| MULTI EVO 5-60 M | 125 | 457 | 457 | 215 | 180 | 164 | 1 1/4" | 1" | 203 |
| MULTI EVO 5-60 T | 125 | 457 | 457 | 215 | 180 | 164 | 1 1/4" | 1" | 177 |
| MULTI EVO 8-30 M/T | 125 | 398 | 100 | 207 | 187 | 137 | 1 1/4" | 1 1/4" | 177 |
| MULTI EVO 8-40 M | 125 | 430 | 100 | 215 | 187 | 137 | 1 1/4" | 1 1/4" | 203 |
| MULTI EVO 8-40 T | 125 | 430 | 100 | 215 | 187 | 137 | 1 1/4" | 1 1/4" | 177 |
| MULTI EVO 8-50 M | 125 | 457 | 100 | 215 | 187 | 164 | 1 1/4" | 1 1/4" | 203 |
| MULTI EVO 8-50 T | 125 | 457 | 207 | 215 | 187 | 164 | 1 1/4" | 1 1/4" | 177 |