

NRM

SURFACE PUMPS - MONOBLOC NORMALISED PUMPS

- Sturdy and resistant
- Wide range
- High hydraulic performance
- Pump body designed according to EN regulations



DESCRIPTION

The PUMPS of the series NRM are single stage monobloc pumps with the hydraulic part-motor connection via a bell, with the pump body made in accordance with standard EN733/DIN24255.

The pumps can be installed in all positions, except in the position with the inlet facing upwards.

APPLICATIONS

- Heating and cooling systems
- Collection of water from lakes, rivers, wells
- Irrigation systems using rain
- Water supply

MECHANICAL DATA

Shaft	AISI 420 Stainless Steel	Mechanical seal	Silicon carbide / Silicon carbide / NBR
Impeller	Cast iron EN GJL 200 Aisi 304 on request	Operating pressure max.	10 bar
Motor housing	Cast iron EN GJL 200	Type of liquid	non-aggressive, non-explosive, free of solid particles and fibres
Pump housing	Cast iron EN GJL 200		

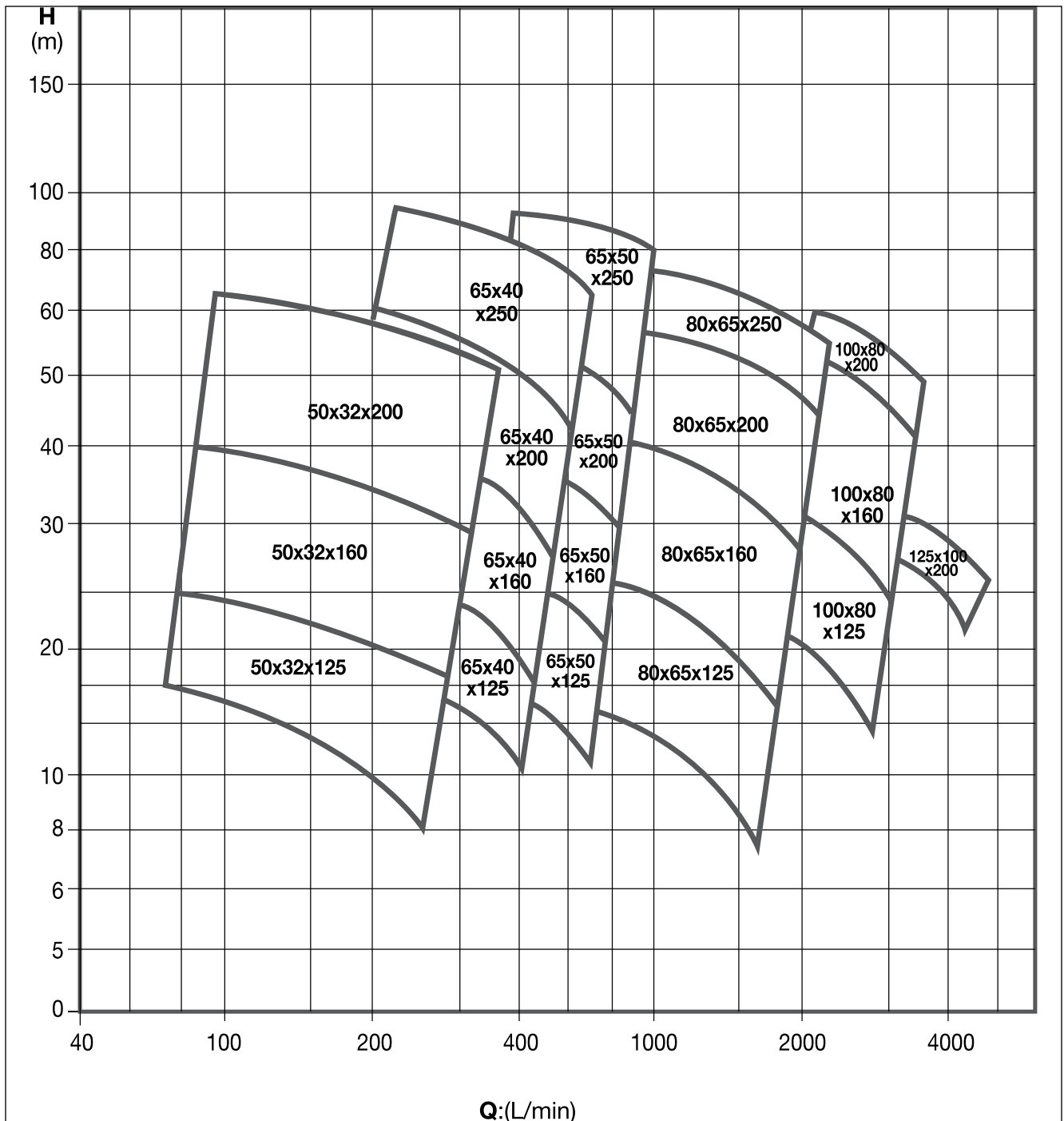
ELECTRICAL DATA

Type of enclosure	IP 55	Ambient temperature max.	40 °C
Insulation class	F		

NRM 2

SURFACE PUMPS - MONOBLOC NORMALISED PUMPS

PERFORMANCE



We reserve the right to change specifications without notice. Pump performance is subject to ISO 9906 ISO 9906:2012 - Grade 3B tolerances.

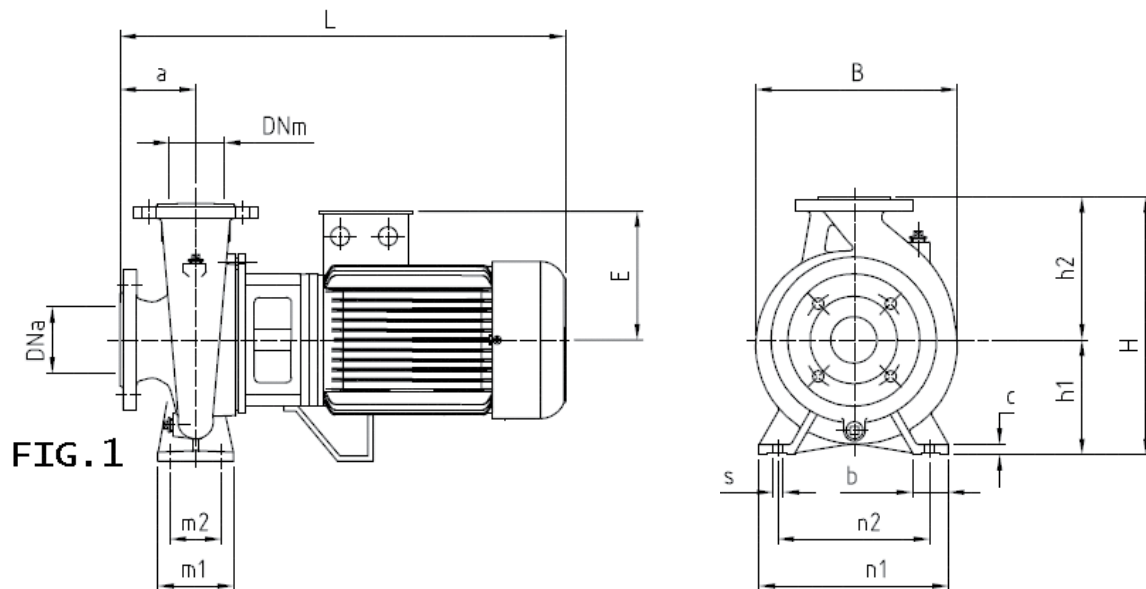
NRM2 50X32

SURFACE PUMPS - MONOBLOC NORMALISED PUMPS

Type	Flow rate Q [m ³ /h]	6	7.5	9	10.5	12	13.5	15	16.5	18	21	24
NRM2 50X32X125A	Delivery head H [m]	24.5	24.0	23.5	23.0	22.0	21.0	20.0	18.5	16.5	13.0	
NRM2 50x32x125B		20.5	20.0	19.0	18.0	17.0	16.0	15.0	13.5	11.5	7.5	
NRM2 50x32x125C		15.5	14.5	13.5	12.4	11.5	10.3	9.0	7.5	6.0		
NRM2 50X32X160A		38.0	37.5	37.0	36.0	35.0	34.0	33.0	31.5	30.0	26.5	
NRM2 50X32X160B		33.5	33.0	32.5	32.0	31.0	30.0	29.0	27.5	26.0	22.5	
NRM2 50X32X160C		28.5	28.0	27.5	26.5	25.5	24.0	23.0	21.5	20.0	15.0	
NRM2 50X32X200A		62.0	61.5	61.0	60.0	59.2	58.5	57.5	56.4	55.0	52.5	49.0
NRM2 50X32X200B		55.0	54.5	54.0	53.5	53.0	52.0	51.0	49.5	48.0	45.0	42.0
NRM2 50X32X200C		47.0	46.5	46.0	45.0	44.0	43.0	42.0	41.0	39.5	37.5	35.0

NRM2 50X32

Type	Code No.	Voltage	Motor rating P2	Motor frame	Current	Weight
NRM2 50X32X125A	AT07007-IE3	230/400 V	1.50 kW	80	3.4 A	25.9 kg
NRM2 50x32x125B	AT07005-IE3	230/400 V	1.10 kW	80	2.5 A	23.6 kg
NRM2 50x32x125C	AT07003-IE3	230/400 V	0.75 kW	71	1.7 A	23.3 kg
NRM2 50X32X160A	AT07015-IE3	230/400 V	3.00 kW	100	5.9 A	38.5 kg
NRM2 50X32X160B	AT07013-IE3	230/400 V	3.00 kW	100	5.9 A	36.5 kg
NRM2 50X32X160C	AT07011-IE3	230/400 V	2.20 kW	80	4.4 A	31.0 kg
NRM2 50X32X200A	AT07024-IE3	230/400 V 400/690 V	7.50 kW	112	14.2 A	59.6 kg
NRM2 50X32X200B	AT07021-IE3	230/400 V 400/690 V	5.50 kW	112	10.4 A	51.1 kg
NRM2 50X32X200C	AT07019-IE3	230/400 V 400/690 V	4.00 kW	100	7.8 A	46.9 kg



NRM2 50X32

SURFACE PUMPS - MONOBLOC NORMALISED PUMPS

DIMENSIONS [mm]

Type	Fig.	DNa	DNm	a	h1	h2	b	m1	m2	n1	n2	s	B	C	H	L~
NRM2 50X32X125A	1	50	32	80	112	140	50	100	70	190	140	14	200	12	252	421
NRM2 50x32x125B	1	50	32	80	112	140	50	100	70	190	140	14	200	12	252	421
NRM2 50x32x125C	1	50	32	80	112	140	50	100	70	190	140	14	200	12	252	421
NRM2 50X32X160A	1	50	32	80	132	160	50	100	70	240	190	14	240	12	292	495
NRM2 50X32X160B	1	50	32	80	132	160	50	100	70	240	190	14	240	12	292	495
NRM2 50X32X160C	1	50	32	80	132	160	50	100	70	240	190	14	240	12	292	426
NRM2 50X32X200A	1	50	32	80	160	180	50	100	70	240	190	14	240	12	340	539
NRM2 50X32X200B	1	50	32	80	160	180	50	100	70	240	190	14	240	12	340	517
NRM2 50X32X200C	1	50	32	80	160	180	50	100	70	240	190	14	240	12	340	495

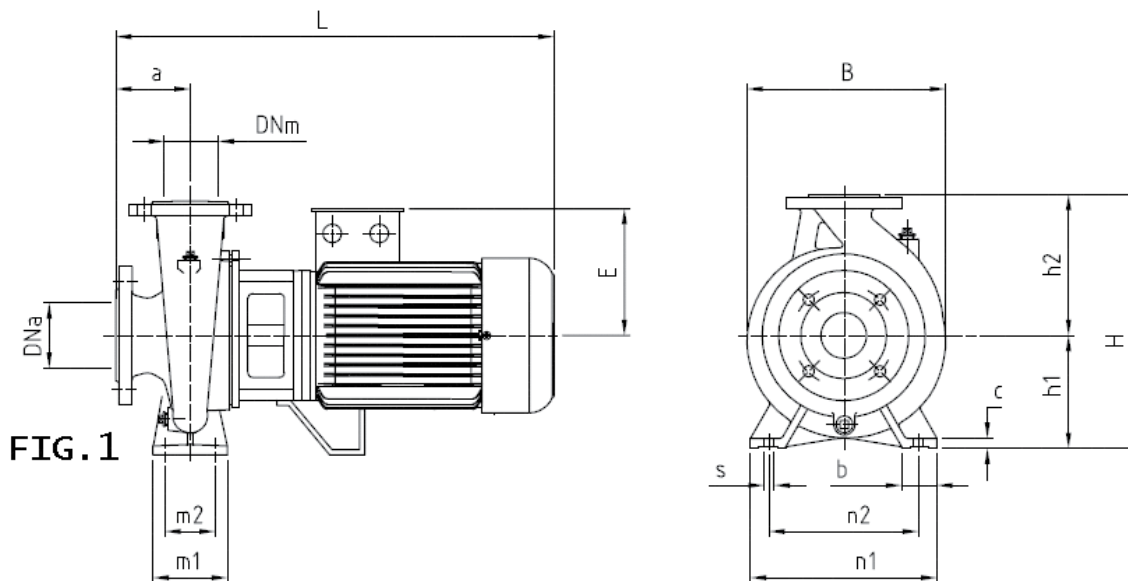
NRM2 65X40

SURFACE PUMPS - MONOBLOC NORMALISED PUMPS

Type	Flow rate Q [m ³ /h]	15	16.5	18	21	24	27	30	33	36	39	42
NRM2 65X40X125A	Delivery head H [m]	24.5	24.3	24.0	23.5	23.0	22.0	20.5	19.0	17.0		
NRM2 65X40X125B		19.0	18.8	18.5	17.5	16.5	15.5	14.5	13.0	10.5		
NRM2 65X40X125C		15.5	15.3	15.0	14.1	13.0	11.8	10.5	9.0	7.0		
NRM2 65X40X160A		36.5	36.0	35.5	34.5	33.5	32.5	31.0	29.0	27.0		
NRM2 65X40X160B		30.0	29.5	29.0	28.0	26.5	25.0	23.0	20.5	18.0		
NRM2 65X40X200A		56.5	56.0	55.5	54.5	53.0	51.0	49.0	47.0	44.0		
NRM2 65X40X200B		51.0	50.5	50.0	49.0	47.5	45.0	42.5	40.0	37.0		
NRM2 65X40X200C		45.3	44.8	44.0	43.0	41.5	39.0	37.0	34.0	31.0		
NRM2 65X40X250B		90.0	89.8	89.2	88.2	87.0	85.3	83.2	80.7	78.0	75.0	71.0
NRM2 65X40X250C		77.0	76.5	76.0	74.5	73.0	71.0	69.0	67.0	65.0	62.5	60.0
NRM2 65X40X250D		69.0	68.5	68.0	66.5	65.0	63.0	61.0	59.0	57.0	54.0	

NRM2 65X40

Type	Code No.	Voltage	Motor rating P2	Motor frame	Current	Weight
NRM2 65X40X125A	AT07039-IE3	230/400 V	3.0 kW	100	5.9 A	33.5 kg
NRM2 65X40X125B	AT07037-IE3	230/400 V	2.2 kW	90	4.4 A	28.0 kg
NRM2 65X40X125C	AT07035-IE3	230/400 V	1.5 kW	80	3.4 A	26.9 kg
NRM2 65X40X160A	AT07045-IE3	230/400 V 400/690 V	4.0 kW	100	7.8 A	43.1 kg
NRM2 65X40X160B	AT07043-IE3	230/400 V	3.0 kW	100	5.9 A	33.5 kg
NRM2 65X40X200A	AT07054-IE3	230/400 V 400/690 V	7.5 kW	132	14.2 A	60.6 kg
NRM2 65X40X200B	AT07052-IE3	230/400 V 400/690 V	7.5 kW	112	14.2 A	55.4 kg
NRM2 65X40X200C	AT07049-IE3	230/400 V 400/690 V	5.5 kW	112	10.4 A	47.9 kg
NRM2 65X40X250B	AT07062-IE3	400/690 V	15.0 kW	132	27.0 A	94.0 kg
NRM2 65X40X250C	AT07060-IE3	400/690 V	15.0 kW	132	27.0 A	87.0 kg
NRM2 65X40X250D	AT07058-IE3	230/400 V 400/690 V	11.0 kW	132	19.8 A	82.5 kg



NRM2 65X40

SURFACE PUMPS - MONOBLOC NORMALISED PUMPS

DIMENSIONS [mm]

Type	Fig.	DNa	DNm	a	h1	h2	b	m1	m2	n1	n2	s	B	C	H	L~
NRM2 65X40X125A	1	65	40	80	112	140	50	100	70	210	140	14	215	12	252	495
NRM2 65X40X125B	1	65	40	80	112	140	50	100	70	210	140	14	215	12	252	426
NRM2 65X40X125C	1	65	40	80	112	140	50	100	70	240	140	14	215	12	252	421
NRM2 65X40X160A	1	65	40	80	132	160	50	100	70	240	190	14	280	12	292	495
NRM2 65X40X160B	1	65	40	80	132	160	50	100	70	240	190	14	270	12	292	495
NRM2 65X40X200A	1	65	40	100	160	180	50	100	70	265	190	14	270	12	340	559
NRM2 65X40X200B	1	65	40	100	160	180	50	100	70	265	190	14	270	12	340	559
NRM2 65X40X200C	1	65	40	100	160	180	50	100	70	265	190	14	270	12	340	537
NRM2 65X40X250B	1	65	40	100	180	225	65	125	95	320	250	14	315	12	405	705
NRM2 65X40X250C	1	65	40	100	180	225	65	125	95	320	250	14	315	12	405	705
NRM2 65X40X250D	1	65	40	100	180	225	65	125	95	320	250	14	315	12	405	654

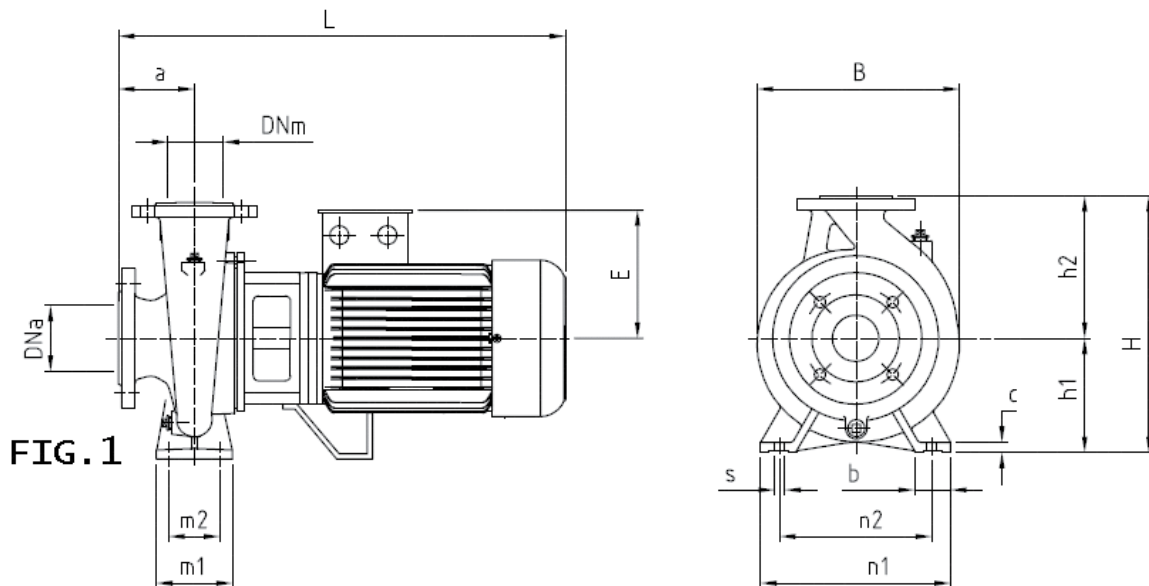
NRM2 65X50

SURFACE PUMPS - MONOBLOC NORMALISED PUMPS

Type	Flow rate Q [m ³ /h]	24	27	30	33	36	39	42	45	48	54	60
NRM2 65X50X125A	Delivery head H [m]	25.5	25.3	25.0	24.5	24.0	23.5	23.0	22.5	21.5	20.0	18.0
NRM2 65X50X125B		21.0	20.5	20.0	19.5	19.0	18.3	17.5	16.8	16.0	14.0	12.0
NRM2 65X50X125C		17.0	16.5	16.0	15.5	15.0	14.0	13.0	12.0	11.0	9.0	
NRM2 65X50X160A		37.0	36.5	36.0	35.5	35.0	34.5	34.0	33.5	32.5	31.0	29.0
NRM2 65X50X160B		32.5	32.0	31.5	31.0	30.5	30.0	29.5	29.0	28.0	26.0	23.5
NRM2 65X50X200A		58.0	57.5	57.0	56.0	55.0	54.0	53.0	51.5	50.0	46.5	42.5
NRM2 65X50X200B		51.0	50.5	50.0	49.0	48.0	47.0	45.5	44.5	43.0	39.5	37.0
NRM2 65X50X250B		92.0	91.8	91.5	91.0	90.0	89.0	88.0	87.0	86.0	83.0	80.0
NRM2 65X50X250C		80.5	80.0	79.5	78.5	77.5	76.5	75.5	74.5	73.5	71.0	67.5
NRM2 65X50X250D		72.0	71.0	70.0	69.0	68.0	67.0	66.0	64.5	63.0	60.0	56.0

NRM2 65X50

Type	Code No.	Voltage	Motor rating P2	Motor frame	Current	Weight
NRM2 65X50X125A	AT07069-IE3	230/400 V 400/690 V	4.0 kW	100	7.8 A	44.1 kg
NRM2 65X50X125B	AT07067-IE3	230/400 V	3.0 kW	100	5.9 A	40.0 kg
NRM2 65X50X125C	AT07065-IE3	230/400 V	2.2 kW	90	4.4 A	34.5 kg
NRM2 65X50X160A	AT07076-IE3	230/400 V 400/690 V	7.5 kW	112	14.2 A	58.1 kg
NRM2 65X50X160B	AT07073-IE3	230/400 V 400/690 V	5.5 kW	112	10.4 A	53.4 kg
NRM2 65X50X200A	AT07082-IE3	400/690 V	15.0 kW	132	27.0 A	77.0 kg
NRM2 65X50X200B	AT07080-IE3	230/400 V 400/690 V	11.0 kW	132	19.8 A	73.5 kg
NRM2 65X50X250B	AT07090-IE3	400/690 V	22.0 kW	160	38.6 A	167.0 kg
NRM2 65X50X250C	AT07088-IE3	400/690 V	18.5 kW	160	33.3 A	146.0 kg
NRM2 65X50X250D	AT07086-IE3	400/690 V	15.0 kW	132	27.0 A	95.0 kg



NRM2 65X50

SURFACE PUMPS - MONOBLOC NORMALISED PUMPS

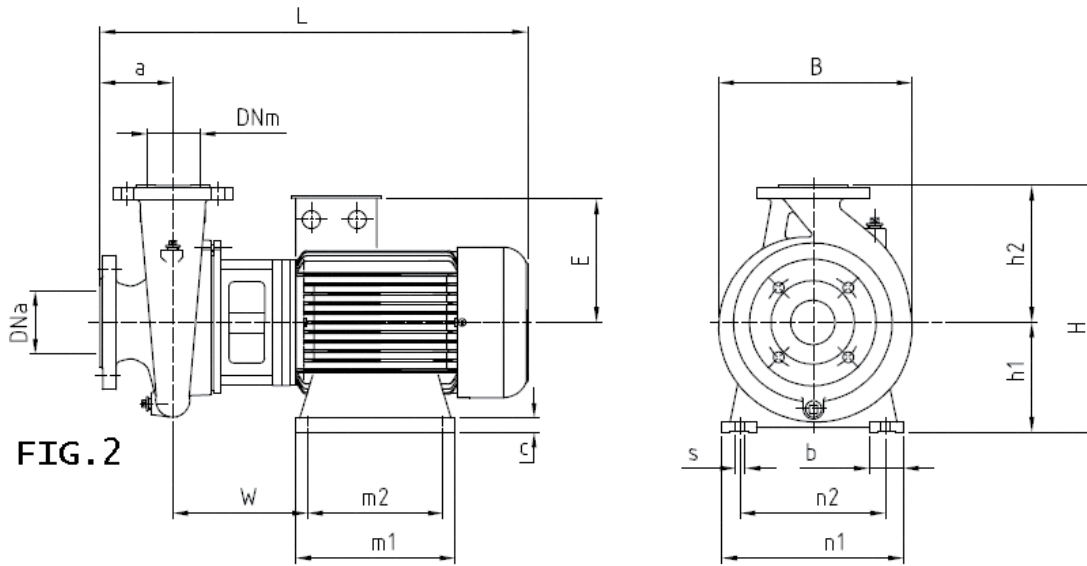


FIG. 2

DIMENSIONS [mm]

Type	Fig.	DNa	DNm	a	h1	h2	b	m1	m2	n1	n2	s	B	C	H	L~	W
NRM2 65X50X125A	1	65	50	100	132	160	50	100	70	240	190	14	280	12	292	515	
NRM2 65X50X125B	1	65	50	100	132	160	50	100	70	240	190	14	270	12	292	515	
NRM2 65X50X125C	1	65	50	100	132	160	50	100	70	240	190	14	245	12	292	446	
NRM2 65X50X160A	1	65	50	100	160	180	50	100	70	265	212	14	270	12	340	559	
NRM2 65X50X160B	1	65	50	100	160	180	50	100	70	265	212	14	270	12	340	537	
NRM2 65X50X200A	1	65	50	100	160	200	50	100	70	265	212	14	285	12	360	705	
NRM2 65X50X200B	1	65	50	100	160	200	50	100	70	265	212	14	285	12	360	654	
NRM2 65X50X250B	2	65	50	100	180	225	76	420	370	320	254	14	320	20	405	802	210
NRM2 65X50X250C	2	65	50	100	180	225	76	420	370	320	254	14	320	20	405	802	210
NRM2 65X50X250D	1	65	50	100	180	225	50	100	70	265	212	14	320	12	405	705	

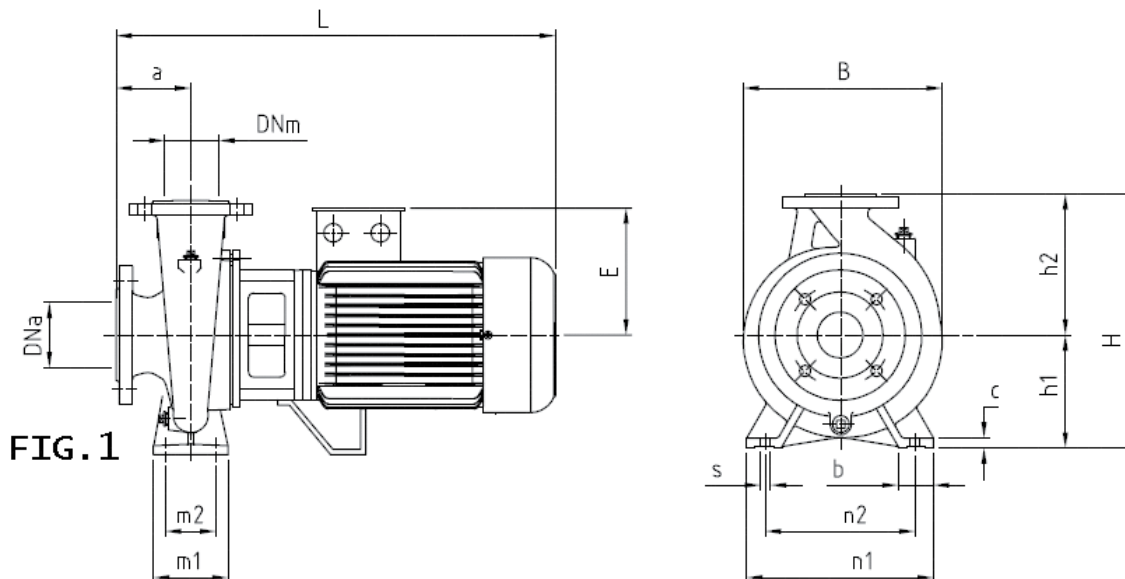
NRM2 80X65

SURFACE PUMPS - MONOBLOC NORMALISED PUMPS

Type	Flow rate Q [m ³ /h]	36	39	42	45	48	54	60	75	90	105	120	135
NRM2 80X65X125A	Delivery head H [m]	25.0	24.8	24.6	24.3	24.0	23.5	23.0	21.5	19.0	16.0		
NRM2 80X65X125B		21.0	20.8	20.6	20.3	20.0	19.5	19.0	17.0	14.5	11.0		
NRM2 80X65X125C		17.5	17.3	17.0	16.5	16.0	15.5	14.5	12.0	9.0			
NRM2 80X65X160A				41.0	40.8	40.5	40.0	39.5	38.0	35.5	33.0	29.0	24.0
NRM2 80X65X160B				36.5	36.3	36.0	35.5	34.5	33.0	30.0	27.0	23.0	19.0
NRM2 80X65X160C				30.5	30.3	30.0	29.5	29.0	26.5	24.0	20.5	16.0	
NRM2 80X65X200B						57.0	56.5	56.0	55.0	53.5	51.0	48.0	42.5
NRM2 80X65X200C						51.0	50.0	49.5	48.5	46.5	43.5	39.5	35.0
NRM2 80X65X200D						44.0	43.5	43.0	41.5	39.0	35.5	31.5	
NRM2 80X65X250D						64.0	63.5	63.0	61.0	57.0	53.0		

NRM2 80X65

Type	Code No.	Voltage	Motor rating P2	Motor frame	Current	Weight
NRM2 80X65X125A	AT07098-IE3	230/400 V 400/690 V	7.5 kW	112	14.2 A	57.6 kg
NRM2 80X65X125B	AT07095-IE3	230/400 V 400/690 V	5.5 kW	112	10.4 A	47.1 kg
NRM2 80X65X125C	AT07093-IE3	230/400 V 400/690 V	4.0 kW	100	7.8 A	44.9 kg
NRM2 80X65X160A	AT07108-IE3	400/690 V	15.0 kW	132	27.0 A	85.0 kg
NRM2 80X65X160B	AT07106-IE3	400/690 V	15.0 kW	132	27.0 A	79.0 kg
NRM2 80X65X160C	AT07104-IE3	230/400 V 400/690 V	11.0 kW	132	19.8 A	75.5 kg
NRM2 80X65X200B	AT07116-IE3	400/690 V	22.0 kW	160	38.6 A	144.0 kg
NRM2 80X65X200C	AT07114-IE3	400/690 V	18.5 kW	160	33.3 A	140.0 kg
NRM2 80X65X200D	AT07112-IE3	400/690 V	15.0 kW	132	27.0 A	89.5 kg
NRM2 80X65X250D	AT07120-IE3	400/690 V	22.0 kW	160	38.6 A	172.0 kg



NRM2 80X65

SURFACE PUMPS - MONOBLOC NORMALISED PUMPS

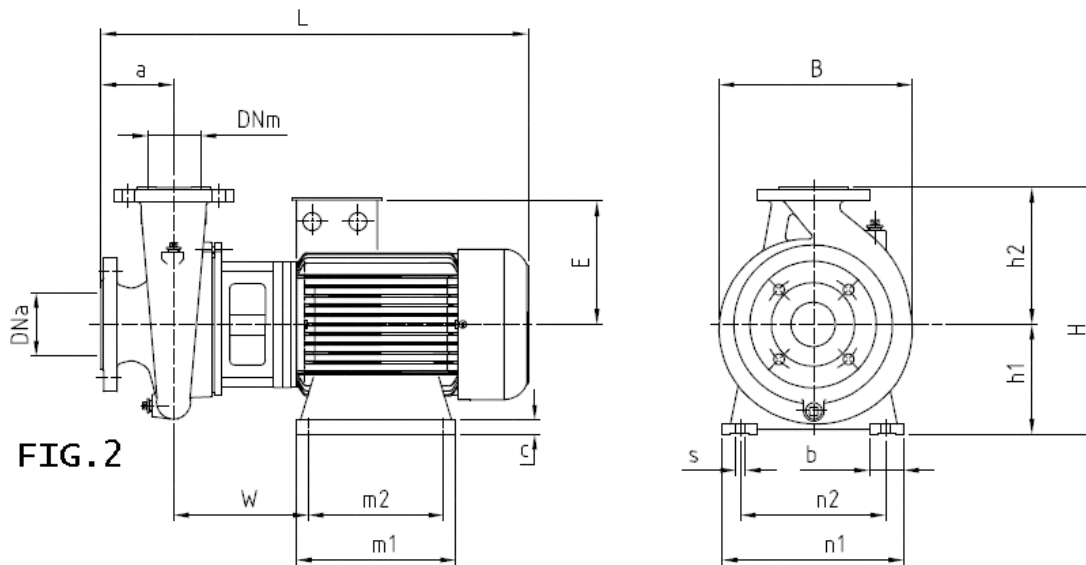


FIG. 2

DIMENSIONS [mm]

Type	Fig.	DNa	DNm	a	h1	h2	b	m1	m2	n1	n2	s	B	C	H	L~	W
NRM2 80X65X125A	1	80	65	100	160	180	65	125	95	280	212	14	280	14	340	559	
NRM2 80X65X125B	1	80	65	100	160	180	65	125	95	280	212	14	280	14	340	537	
NRM2 80X65X125C	1	80	65	100	160	180	65	125	95	280	212	14	280	14	340	515	
NRM2 80X65X160A	1	80	65	100	160	200	65	125	95	280	212	14	280	14	360	705	
NRM2 80X65X160B	1	80	65	100	160	200	65	125	95	280	212	14	280	14	360	705	
NRM2 80X65X160C	1	80	65	100	160	200	65	125	95	280	212	14	280	14	360	654	
NRM2 80X65X200B	2	80	65	100	180	225	65	420	370	320	254	14	330	20	405	802	210
NRM2 80X65X200C	2	80	65	100	180	225	65	420	370	320	254	14	330	20	405	802	210
NRM2 80X65X200D	1	80	65	100	180	225	65	125	95	280	212	14	330	14	405	705	
NRM2 80X65X250D	2	80	65	100	180	250	65	420	370	320	254	14	365	20	430	814	222

NRM2 100X80

SURFACE PUMPS - MONOBLOC NORMALISED PUMPS

Type	Flow rate Q [m ³ /h]	60	75	90	105	120	135	150	165	180
NRM2 100X80X160B	Delivery head H [m]	34.0	33.3	32.5	31.8	31.0	29.0	27.5	26.0	24.5
NRM2 100X80X160C		28.5	28.0	27.0	26.0	24.5	23.0	21.5	20.0	18.5
NRM2 100X80X160D		24.0	23.0	22.0	21.0	19.5	18.0	16.5	15.0	
NRM2 100X80X200C		47.0	46.5	45.5	44.5	43.0	41.0	39.0	37.0	
NRM2 100X80X200D		42.0	41.0	40.0	38.5	37.0	35.0	33.0	30.5	

NRM2 100X80

Type	Code No.	Voltage	Motor rating P2	Motor frame	Current	Weight
NRM2 100X80X160B	AT07132-IE3	400/690 V	15.0 kW	132	27.0 A	90.5 kg
NRM2 100X80X160C	AT07130-IE3	400/690 V	15.0 kW	132	27.0 A	83.5 kg
NRM2 100X80X160D	AT07128-IE3	230/400 V 400/690 V	11.0 kW	132	19.8 A	79.5 kg
NRM2 100X80X200C	AT07138-IE3	400/690 V	22.0 kW	160	38.6 A	192.0 kg
NRM2 100X80X200D	AT07136-IE3	400/690 V	18.5 kW	160	33.3 A	150.0 kg

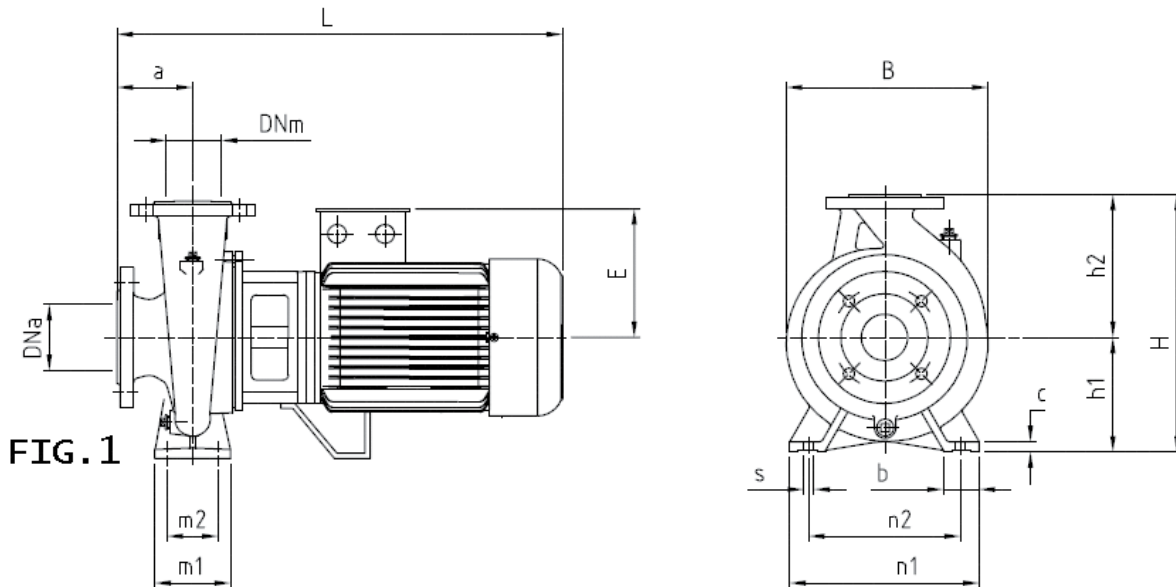


FIG. 1

NRM2 100X80

SURFACE PUMPS - MONOBLOC NORMALISED PUMPS

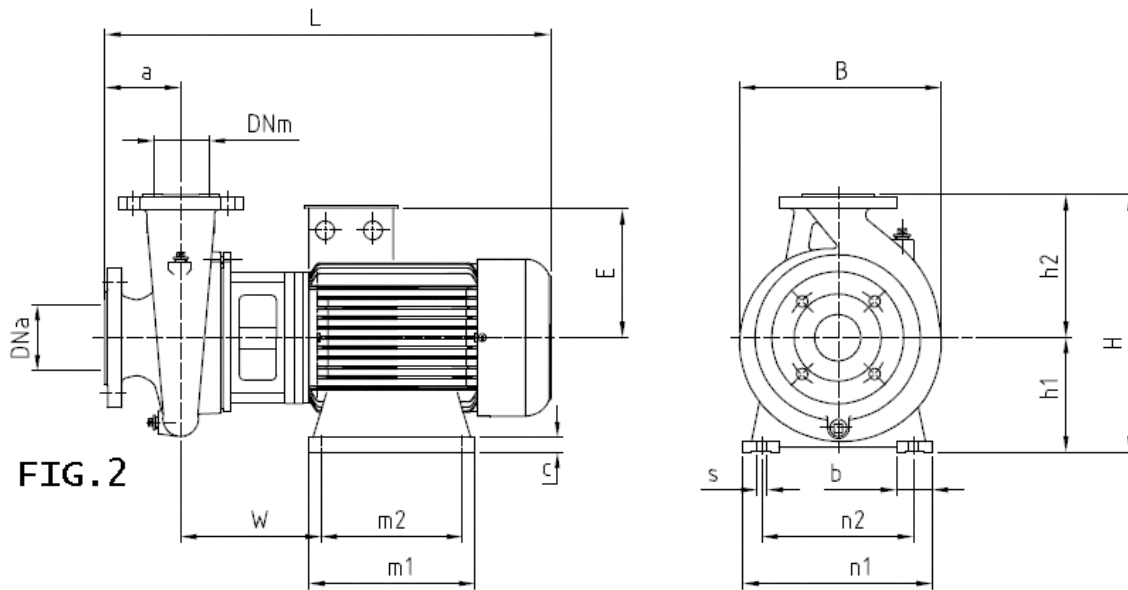


FIG. 2

DIMENSIONS [mm]

Type	Fig.	DNa	DNm	a	h1	h2	b	m1	m2	n1	n2	s	B	C	H	L~	W
NRM2 100X80X160B	1	100	80	125	180	225	65	125	95	320	250	14	315	14	405	730	
NRM2 100X80X160C	1	100	80	125	180	225	65	125	95	320	250	14	315	14	405	730	
NRM2 100X80X160D	1	100	80	125	180	225	65	125	95	320	250	14	315	14	405	679	
NRM2 100X80X200C	2	100	80	125	180	250	65	420	370	320	254	14	360	20	430	839	222
NRM2 100X80X200D	2	100	80	125	180	250	65	420	370	320	254	14	360	20	430	839	222

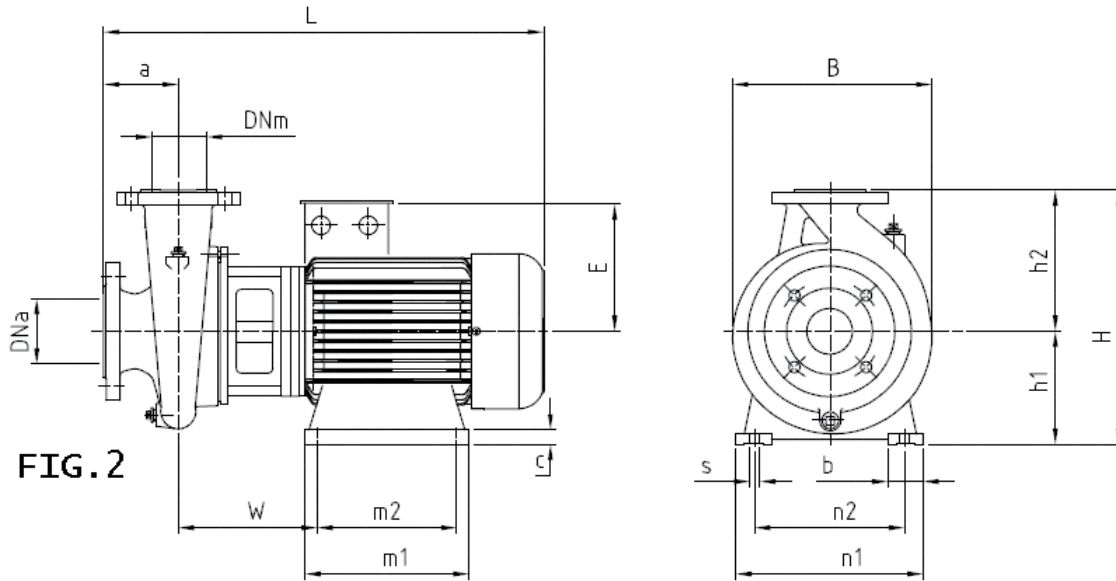
NRM2 125X100

SURFACE PUMPS - MONOBLOC NORMALISED PUMPS

Type	Flow rate Q [m ³ /h]	90	105	120	135	150	165	180	210	240
NRM2 125x100x200D	Delivery head H [m]	39.0	38.0	37.0	36.0	34.5	33.0	31.5	28.0	24.0

NRM2 125X100

Type	Code No.	Voltage	Motor rating P2	Motor frame	Current	Weight
NRM2 125x100x200D	AT07154-IE3	400/690 V	22 kW	160	38.6 A	160 kg



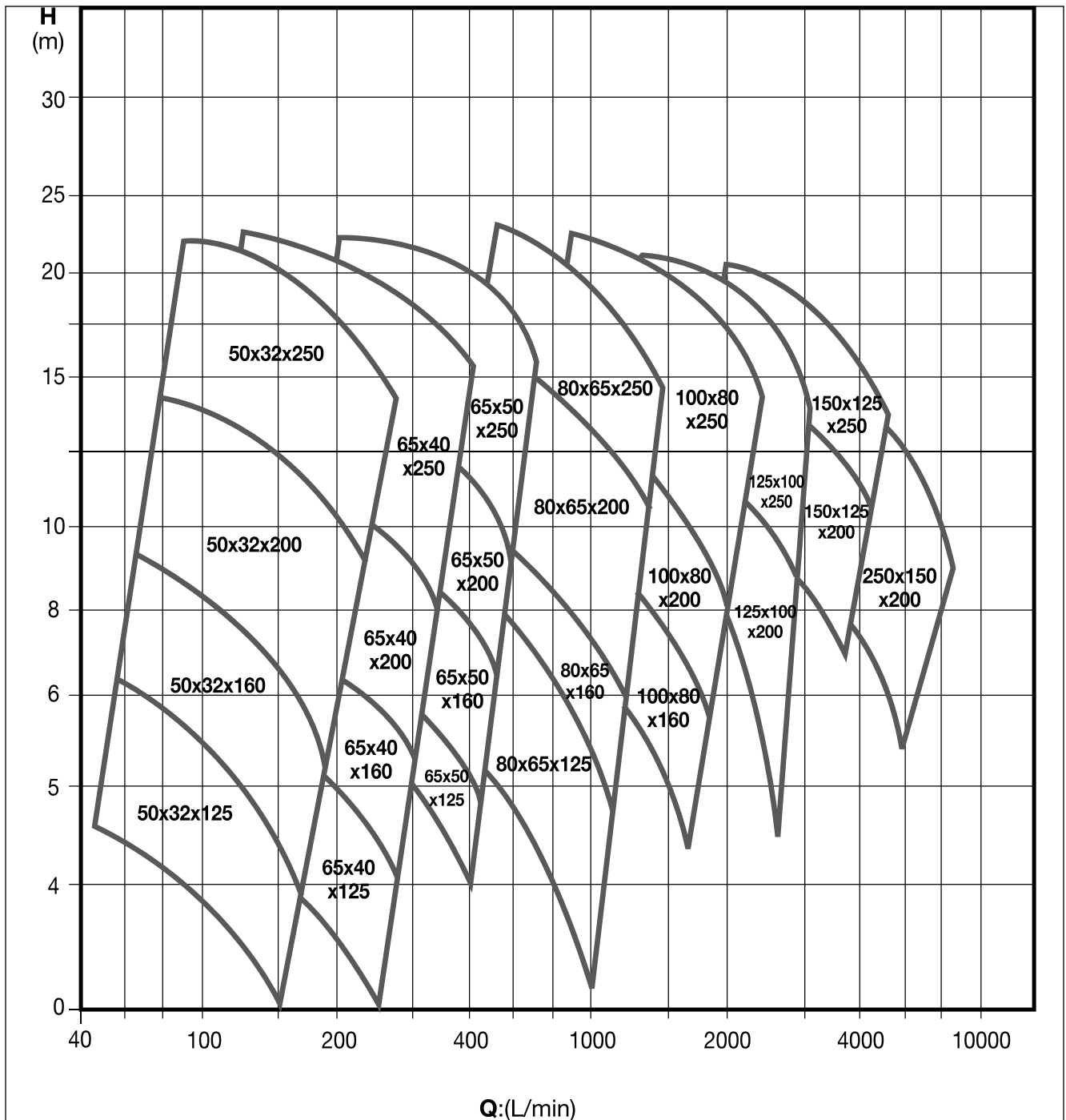
DIMENSIONS [mm]

Type	Fig.	DNa	DNm	a	h1	h2	b	m1	m2	n1	n2	s	B	C	H	L~	W
NRM2 125x100x200D	2	125	100	125	180	280	65	420	370	320	254	14	380	20	460	839	222

NRM 4

SURFACE PUMPS - MONOBLOC NORMALISED PUMPS

PERFORMANCE



We reserve the right to change specifications without notice. Pump performance is subject to ISO 9906 ISO 9906:2012 - Grade 3B tolerances.

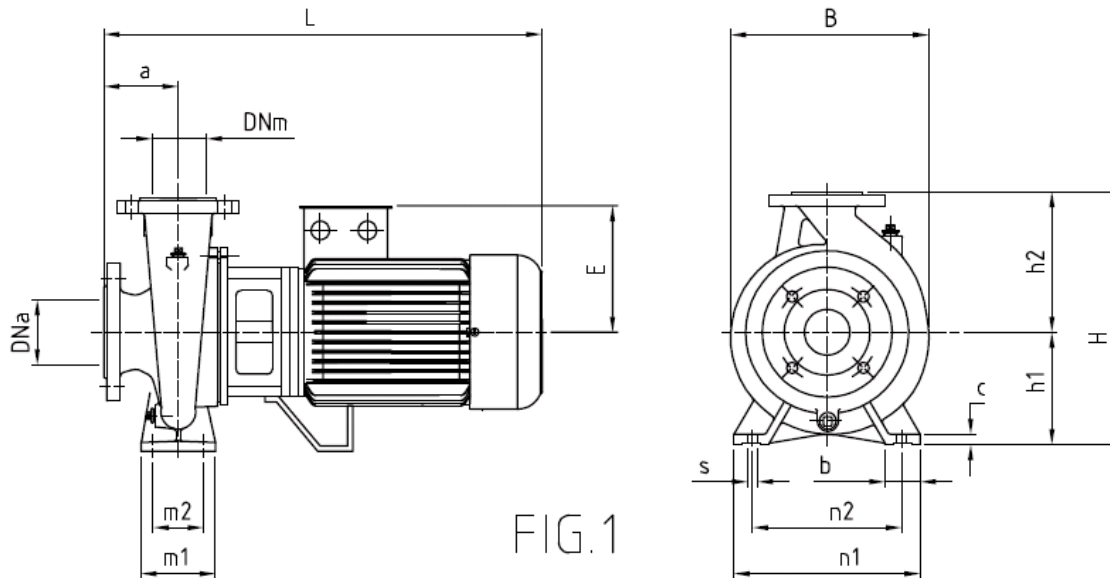
NRM4 50X32

SURFACE PUMPS - MONOBLOC NORMALISED PUMPS

Type	Flow rate Q [m ³ /h]	3	4.5	6	7.5	9	10.5	12	13.5	15	16.5	18
NRM4 50x32x125X	Delivery head H [m]	6.2	6.0	5.8	5.2	4.5	3.9	3.0				
NRM4 50x32x125Y		4.4	4.0	3.5	3.0	2.2						
NRM4 50x32x160X		9.4	9.2	8.9	8.3	7.7	6.9	5.8	4.7			
NRM4 50X32X200X			14.5	14.3	13.8	13.3	12.7	11.8	10.9	10.0	9.0	8.0
NRM4 50X32X200Y		13.0	12.8	12.4	11.9	11.3	10.6	9.8	9.0	8.0	7.0	6.0

NRM4 50X32

Type	Code No.	Voltage	Motor rating P2	Motor frame	Current	Weight
NRM4 50x32x125X	AT07167	230/400 V	0.25 kW	71	0.9 A	19.5 kg
NRM4 50x32x125Y	AT07165	230/400 V	0.25 kW	71	0.9 A	19.5 kg
NRM4 50x32x160X	AT07173	230/400 V	0.37 kW	71	1.2 A	23.0 kg
NRM4 50X32X200X	AT07179-IE3	230/400 V	1.10 kW	90	2.5 A	36.8 kg
NRM4 50X32X200Y	AT07177-IE3	230/400 V	0.75 kW	80	1.8 A	31.7 kg



DIMENSIONS [mm]

Type	Fig.	DNa	DNm	a	h1	h2	b	c	m1	m2	n1	n2	s	B	H	L~	E~
NRM4 50x32x125X	1	50	32	80	112	140	50	12	100	70	190	140	14	205	252	405	110
NRM4 50x32x125Y	1	50	32	80	112	140	50	12	100	70	190	140	14	205	252	405	110
NRM4 50x32x160X	1	50	32	80	132	160	50	12	100	70	240	190	14	240	292	405	110
NRM4 50X32X200X	1	50	32	80	160	180	50	12	100	70	240	190	14	255	340	456	138
NRM4 50X32X200Y	1	50	32	80	160	180	50	12	100	70	240	190	14	255	340	421	129

NRM4 65X40

SURFACE PUMPS - MONOBLOC NORMALISED PUMPS

Type	Flow rate Q [m ³ /h]	6	7.5	9	10.5	12	13.5	15	16.5	18	21	24
NRM4 65x40x125X	Delivery head H [m]	6.3	6.2	6.1	6.0	5.8	5.5	5.2	4.9	4.4	3.0	
NRM4 65x40x125Y		4.6	4.5	4.3	4.1	3.9	3.6	3.3	2.9	2.4		
NRM4 65x40x160X		8.8	8.6	8.3	8.0	7.7	7.3	6.9	6.4	5.9	4.5	
NRM4 65x40x200X		14.2	14.0	13.8	13.4	13.0	12.5	11.8	11.0	10.2	8.3	6.0
NRM4 65x40x200Y		12.7	12.5	12.1	11.7	11.2	10.7	10.1	9.3	8.5	7.0	
NRM4 65x40x250X		22.5	22.3	22.0	21.7	21.4	21.0	20.5	20.0	19.5	18.5	17.0
NRM4 65x40x250Y		18.3	18.0	17.7	17.4	17.0	16.6	16.2	15.6	15.0	13.7	12.0

NRM4 65X40

Type	Code No.	Voltage	Motor rating P2	Motor frame	Current	Weight
NRM4 65x40x125X	AT07191	230/400 V	0.37 kW	71	1.2 A	21.5 kg
NRM4 65x40x125Y	AT07189	230/400 V	0.25 kW	71	0.9 A	20.5 kg
NRM4 65x40x160X	AT07197	230/400 V	0.55 kW	71	1.7 A	25.0 kg
NRM4 65x40x200X	AT07205-IE3	230/400 V	1.10 kW	90	2.5 A	39.9 kg
NRM4 65x40x200Y	AT07203-IE3	230/400 V	1.10 kW	90	2.5 A	39.9 kg
NRM4 65x40x250X	AT07211-IE3	230/400 V	2.20 kW	100	5.1 A	56.9 kg
NRM4 65x40x250Y	AT07209-IE3	230/400 V	1.50 kW	90	3.4 A	49.4 kg

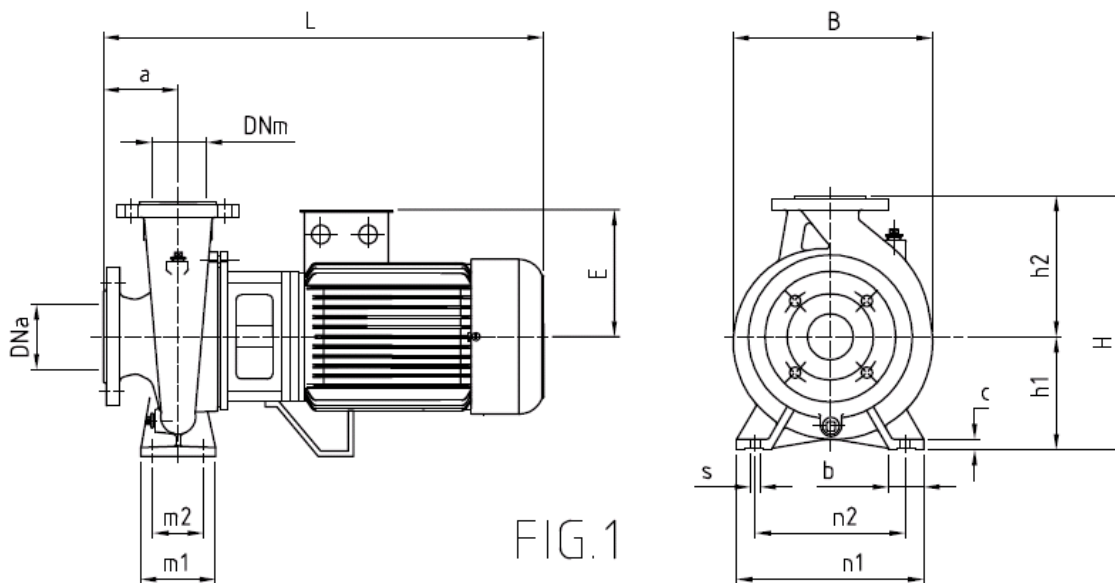


FIG.1

DIMENSIONS [mm]

Type	Fig.	DNa	DNm	a	h1	h2	b	c	m1	m2	n1	n2	s	B	H	L~	E~
NRM4 65x40x125X	1	65	40	80	112	140	50	12	100	70	210	160	14	230	252	405	110
NRM4 65x40x125Y	1	65	40	80	112	140	50	12	100	70	210	160	14	230	252	405	110
NRM4 65x40x160X	1	65	40	80	132	160	50	12	100	70	240	190	14	230	292	405	110
NRM4 65x40x200X	1	65	40	100	160	180	50	12	100	70	265	212	14	242	340	476	138
NRM4 65x40x200Y	1	65	40	100	160	180	50	12	100	70	265	212	14	285	340	476	138
NRM4 65x40x250X	1	65	40	100	180	225	65	12	125	95	320	250	14	325	405	415	145
NRM4 65x40x250Y	1	65	40	100	180	225	65	12	125	95	320	250	14	325	405	476	138

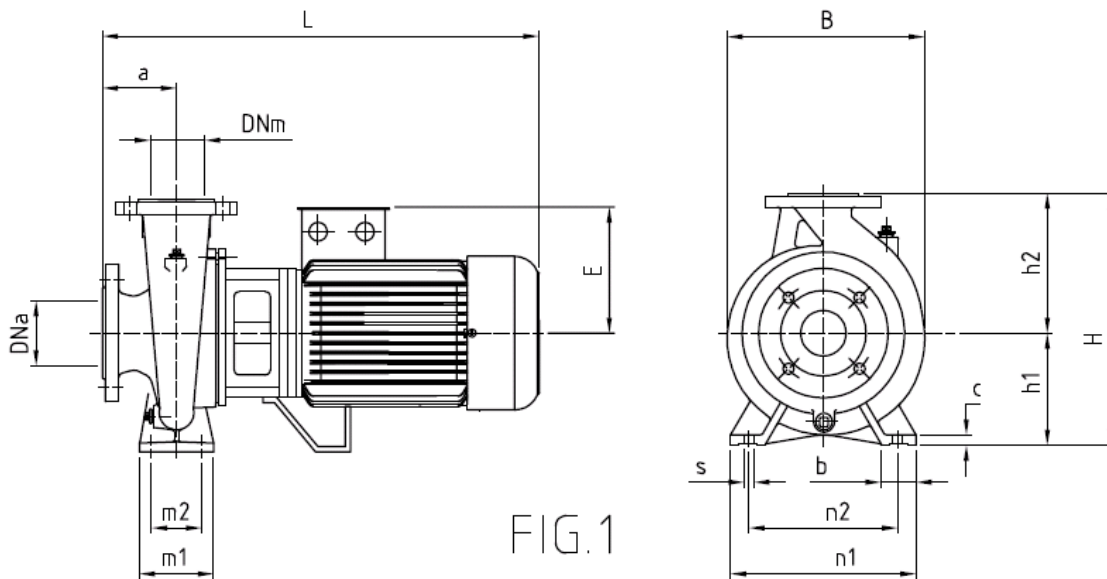
NRM4 65X50

SURFACE PUMPS - MONOBLOC NORMALISED PUMPS

Type	Flow rate Q [m ³ /h]	9	10.5	12	13.5	15	16.5	18	21	24	27	30	33	36	39	42
NRM4 65x50x125X	Delivery head H [m]	6.4	6.3	6.2	6.1	6.0	5.9	5.8	5.5	5.2	4.9	4.4				
NRM4 65x50x125Y		5.3	5.3	5.2	5.1	5.0	4.9	4.8	4.5	4.1	3.6	3.0				
NRM4 65x50x160X				9.0	8.9	8.8	8.7	8.6	8.4	8.1	7.7	7.2	6.5	5.5		
NRM4 65x50x160Y				8.2	8.0	7.9	7.8	7.7	7.4	7.1	6.6	5.8	5.0	4.0		
NRM4 65x50x200X				14.3	14.2	14.1	14.0	13.7	13.0	12.3	11.3	10.2	9.1	7.8	6.4	5.0
NRM4 65x50x200Y				12.4	12.2	12.0	11.8	11.5	10.8	10.0	9.0	8.0	7.0	5.8		
NRM4 65x50x250X				22.5	22.4	22.3	22.2	22.0	21.5	20.9	20.2	19.4	18.5	17.5	16.3	15.0
NRM4 65x50x250Y				18.5	18.3	18.1	17.8	17.5	17.0	16.2	15.5	14.5	13.5	12.5	11.2	10.0

NRM4 65X50

Type	Code No.	Voltage	Motor rating P2	Motor frame	Current	Weight
NRM4 65x50x125X	AT07217	230/400 V	0.55 kW	71	1.7 A	26.0 kg
NRM4 65x50x125Y	AT07215	230/400 V	0.37 kW	71	1.2 A	25.0 kg
NRM4 65x50x160X	AT07223-IE3	230/400 V	1.10 kW	90	2.5 A	38.8 kg
NRM4 65x50x160Y	AT07221-IE3	230/400 V	0.75 kW	80	1.8 A	33.7 kg
NRM4 65x50x200X	AT07229-IE3	230/400 V	1.50 kW	90	3.4 A	41.9 kg
NRM4 65x50x200Y	AT07227-IE3	230/400 V	1.10 kW	90	2.5 A	41.9 kg
NRM4 65x50x250X	AT07235-IE3	230/400 V	3.00 kW	100	6.5 A	67.0 kg
NRM4 65x50x250Y	AT07233-IE3	230/400 V	2.20 kW	100	5.1 A	59.9 kg



DIMENSIONS [mm]

Type	Fig.	DNa	DNm	a	h1	h2	b	c	m1	m2	n1	n2	s	B	H	L~	E~
NRM4 65x50x125X	1	65	50	100	132	160	50	12	100	70	240	190	14	246	292	425	110
NRM4 65x50x125Y	1	65	50	100	132	160	50	12	100	70	240	190	14	246	292	425	110
NRM4 65x50x160X	1	65	50	100	160	180	50	12	100	70	265	212	14	269	340	476	138
NRM4 65x50x160Y	1	65	50	100	160	180	50	12	100	70	265	212	14	269	340	441	129
NRM4 65x50x200X	1	65	50	100	160	200	50	12	100	70	265	212	14	285	360	476	138
NRM4 65x50x200Y	1	65	50	100	160	200	50	12	100	70	265	250	14	285	360	476	138
NRM4 65x50x250X	1	65	50	100	180	225	65	14	125	95	320	250	14	333	405	515	145
NRM4 65x50x250Y	1	65	50	100	180	225	65	14	125	95	320	250	14	333	405	415	145

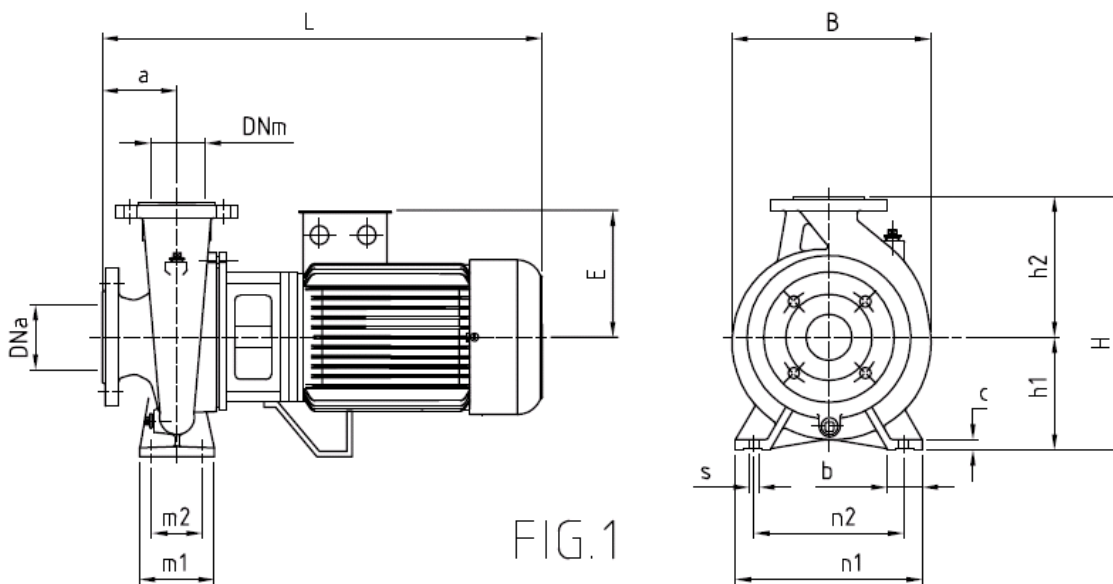
NRM4 80X65

SURFACE PUMPS - MONOBLOC NORMALISED PUMPS

Type	Flow rate Q [m ³ /h]	18	21	24	27	30	33	36	42	48	54	60	66	72	78	84
NRM4 80x65x125X	Delivery head H [m]	5.8	5.7	5.6	5.5	5.3	5.1	4.9	4.5	4.0						
NRM4 80x65x160X		10.2	10.1	10.0	9.9	9.8	9.6	9.4	9.0	8.5	7.7					
NRM4 80x65x160Y		8.6	8.5	8.4	8.3	8.2	8.1	8.0	7.5	6.8	6.0	5.0				
NRM4 80x65x200X						15.2	15.1	15.0	14.6	14.3	13.6	12.8	12.0	11.0		
NRM4 80x65x200Y			12.5	12.4	12.3	12.2	12.1	11.7	11.1	10.5	9.6	8.5				
NRM4 80x65x250X					23.0	22.8	22.6	22.2	21.4	20.6	19.7	18.7	17.5	16.0	14.0	
NRM4 80x65x250Y					19.5	19.3	19.1	18.4	17.5	16.5	15.5	14.0	12.5	10.5		

NRM4 80X65

Type	Code No.	Voltage	Motor rating P2	Motor frame	Current	Weight
NRM4 80x65x125X	AT07241-IE3	230/400 V	0.75 kW	80	1.8 A	32.0 kg
NRM4 80x65x160X	AT07247-IE3	230/400 V	1.50 kW	90	3.4 A	40.0 kg
NRM4 80x65x160Y	AT07245-IE3	230/400 V	1.10 kW	90	2.5 A	37.5 kg
NRM4 80x65x200X	AT07253-IE3	230/400 V	3.00 kW	100	6.5 A	57.0 kg
NRM4 80x65x200Y	AT07251-IE3	230/400 V	2.20 kW	100	5.1 A	51.0 kg
NRM4 80x65x250X	AT07259-IE3	230/400 V 400/690 V	5.50 kW	132	10.8 A	90.0 kg
NRM4 80x65x250Y	AT07257-IE3	230/400 V 400/690 V	4.00 kW	112	8.5 A	80.0 kg



DIMENSIONS [mm]

Type	Fig.	DNa	DNm	a	h1	h2	b	c	m1	m2	n1	n2	s	B	H	L~	E~
NRM4 80x65x125X	1	80	65	100	160	180	65	12	125	95	280	212	14	286	340	445	118
NRM4 80x65x160X	1	80	65	100	160	200	65	12	125	95	280	212	14	288	360	485	149
NRM4 80x65x160Y	1	80	65	100	160	200	65	12	125	95	280	212	14	288	360	485	149
NRM4 80x65x200X	1	80	65	100	180	225	65	14	125	95	320	250	14	328	405	525	159
NRM4 80x65x200Y	1	80	65	100	180	225	65	14	125	95	320	250	14	328	405	525	159
NRM4 80x65x250X	1	80	65	100	200	250	80	14	160	120	360	280	14	365	450	640	184
NRM4 80x65x250Y	1	80	65	100	200	250	80	14	160	120	360	280	14	365	450	535	159

NRM4 100X80

SURFACE PUMPS - MONOBLOC NORMALISED PUMPS

Type	Flow rate Q [m ³ /h]	36	39	42	48	54	60	66	72	78	84	90	105	120	135
NRM4 100x80x160X	Delivery head H [m]	9.7	9.6	9.5	9.3	9.0	8.8	8.5	8.2	7.9	7.5	7.1	6.0		
NRM4 100x80x160Y		7.7	7.6	7.5	7.3	7.0	6.7	6.4	6.1	5.8	5.4	5.0			
NRM4 100x80x200X		14.5	14.4	14.2	14.0	13.8	13.5	13.1	12.7	12.2	11.6	11.0	9.0	6.5	
NRM4 100x80x200Y		12.0	11.9	11.8	11.5	11.3	11.0	10.5	10.0	9.5	9.0	8.5	7.0		
NRM4 100x80x250X						22.0	21.9	21.7	21.2	20.8	20.5	20.0	18.5	16.8	14.5
NRM4 100x80x250Y						19.0	18.5	18.0	17.5	17.0	16.5	16.0	14.0	12.0	

NRM4 100X80

Type	Code No.	Voltage	Motor rating P2	Motor frame	Current	Weight
NRM4 100x80x160X	AT07265-IE3	230/400 V	2.2 kW	100	5.1 A	53.9 kg
NRM4 100x80x160Y	AT07263-IE3	230/400 V	1.5 kW	90	3.4 A	46.9 kg
NRM4 100x80x200X	AT07271-IE3	230/400 V 400/690 V	4.0 kW	112	8.5 A	81.9 kg
NRM4 100x80x200Y	AT07269-IE3	230/400 V	3.0 kW	100	6.5 A	70.0 kg
NRM4 100x80x250X	AT07278-IE3	230/400 V 400/690 V	7.5 kW	132	14.4 A	127.0 kg
NRM4 100x80x250Y	AT07275-IE3	230/400 V 400/690 V	5.5 kW	132	10.8 A	113.1 kg

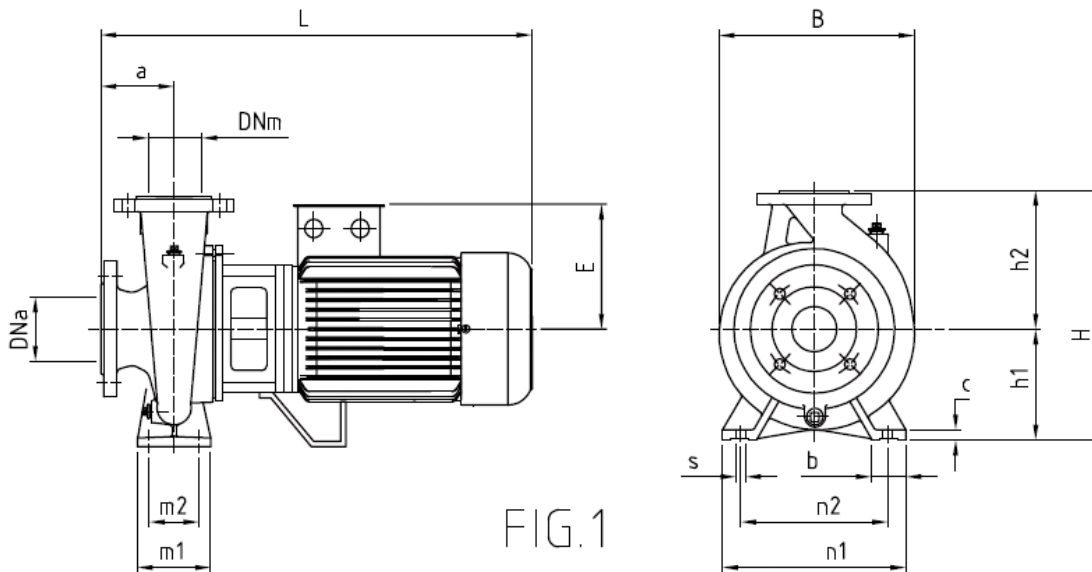


FIG.1

DIMENSIONS [mm]

Type	Fig.	DNa	DNm	a	h1	h2	b	c	m1	m2	n1	n2	s	B	H	L~	E~
NRM4 100x80x160X	1	100	80	125	180	225	65	14	125	95	320	250	14	330	405	440	145
NRM4 100x80x160Y	1	100	80	125	180	225	65	14	125	95	320	250	14	330	405	501	138
NRM4 100x80x200X	1	100	80	125	180	250	65	12	125	95	345	280	14	355	430	574	160
NRM4 100x80x200Y	1	100	80	125	180	250	65	12	125	95	345	280	14	355	430	552	145
NRM4 100x80x250X	1	100	80	125	200	280	80	14	160	120	400	315	18	400	480	671	194
NRM4 100x80x250Y	1	100	80	125	200	280	80	14	160	120	400	315	18	400	480	631	194

NRM4 125X100

SURFACE PUMPS - MONOBLOC NORMALISED PUMPS

Type	Flow rate Q [m ³ /h]	54	60	66	72	78	84	90	105	120	135	150	165	180
NRM4 125x100x200X	Delivery head H [m]	14.5	14.4	14.2	14.0	13.8	13.6	13.4	12.8	12.0	11.0	10.0	8.5	
NRM4 125x100x200Y		12.4	12.2	12.0	11.8	11.6	11.4	11.2	10.3	9.3	8.2	6.8	4.8	
NRM4 125x100x250X			22.0	21.9	21.8	21.7	21.6	21.3	20.5	19.6	18.5	17.0	15.0	13.0
NRM4 125x100x250Y			19.5	19.3	19.1	18.9	18.7	18.5	17.5	16.5	15.2	14.0	12.0	

NRM4 125X100

Type	Code No.	Voltage	Motor rating P2	Motor frame	Current	Weight
NRM4 125x100x200X	AT07283-IE3	230/400 V 400/690 V	5.5 kW	132	10.8 A	107.1 kg
NRM4 125x100x200Y	AT07281-IE3	230/400 V 400/690 V	4.0 kW	112	8.5 A	79.9 kg
NRM4 125x100x250X	AT07290-IE3	230/400 V 400/690 V	11.0 kW	160	22.0 A	161.0 kg
NRM4 125x100x250Y	AT07288-IE3	230/400 V 400/690 V	7.5 kW	132	14.4 A	126.0 kg

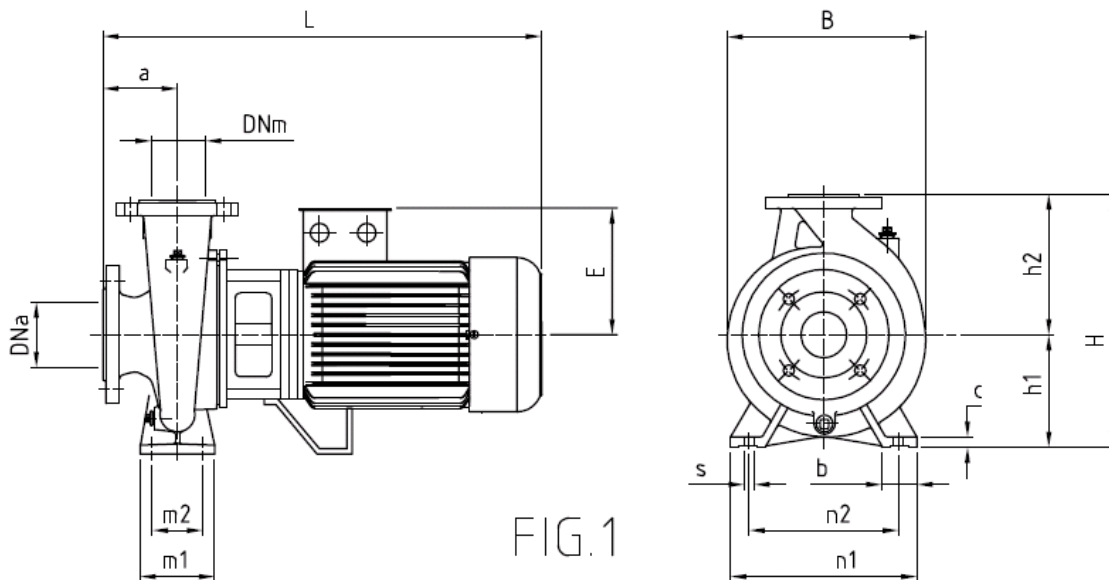


FIG.1

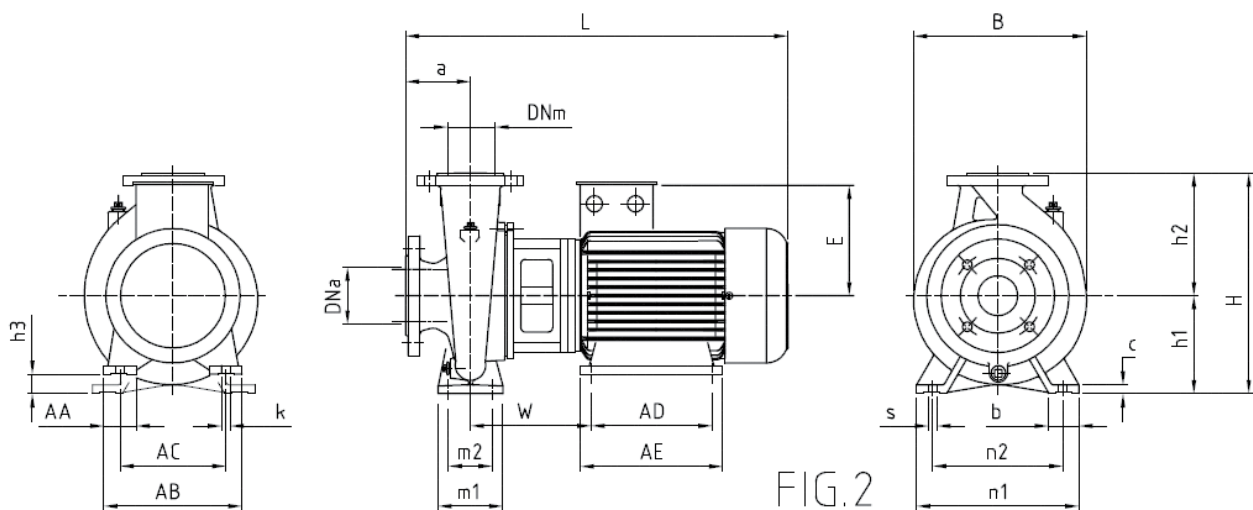


FIG.2

NRM4 125X100

SURFACE PUMPS - MONOBLOC NORMALISED PUMPS

DIMENSIONS [mm]

Type	Fig.	DNa	DNm	a	h1	h2	h3	b	c	m1	m2	n1	n2	s	B	H	k	L~	E~	W	AC	AD	AE	AA	AB	
NRM4 125x100x200X	1	125	100	125	200	280		80	14	160	120	360	280	18	385	480		631	194							
NRM4 125x100x200Y	1	125	100	125	200	280		80	14	160	120	360	280	18	385	480		574	160							
NRM4 125x100x250X	2	125	100	140	225	280	65	80	14	160	120	400	315	18	420	505	14	779	238	191	254	210	270	76	320	
NRM4 125x100x250Y	1	125	100	140	225	280		80	14	160	120	400	315	18	420	505		686	194							

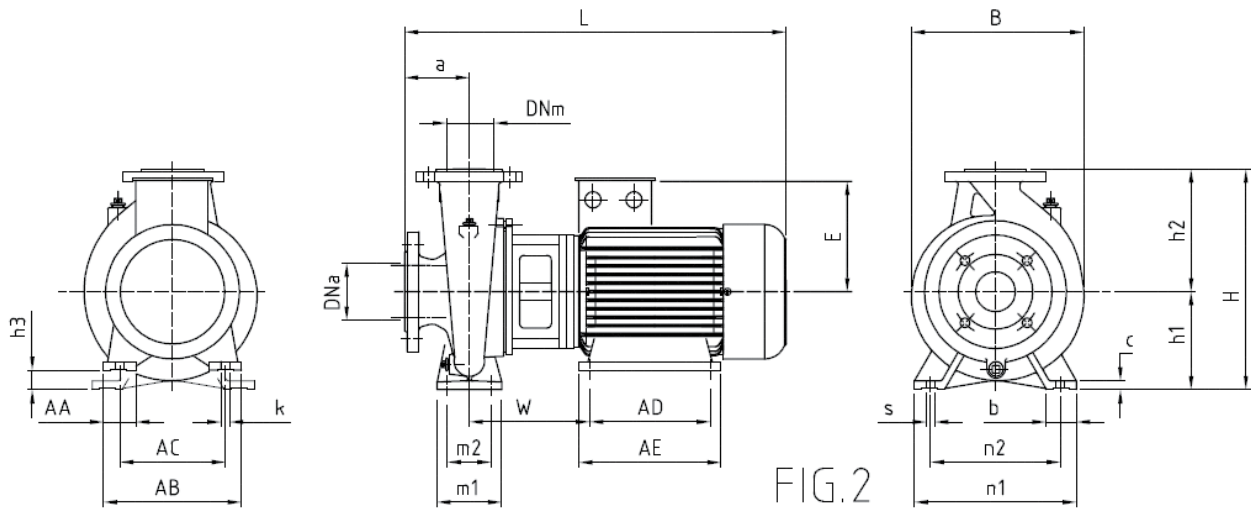
NRM4 150X125

SURFACE PUMPS - MONOBLOC NORMALISED PUMPS

Type	Flow rate Q [m ³ /h]	108	120	150	180	210	240	270	300
NRM4 150x125x200W	Delivery head H [m]	10.4	10.2	9.4	8.3	6.8			
NRM4 150x125x200X		14.3	14.2	13.8	13.2	12.3	11.1	9.6	8.0
NRM4 150x125x200Y		13.0	12.8	12.3	11.6	10.5	9.1	7.5	
NRM4 150x125x200Z		11.6	11.5	10.9	9.9	8.6	7.0		
NRM4 150x125x250X			20.8	19.7	18.6	17.0	15.2	13.2	
NRM4 150x125x250Y			19.8	19.0	18.0	16.6	15.0		
NRM4 150x125x250Z		17.0	16.6	15.7	14.4	12.6			

NRM4 150X125

Type	Code No.	Voltage	Motor rating P2	Motor frame	Current	Weight
NRM4 150x125x200W	AT07404-IE3	400/690 V	5.5 kW	132	10.8 A	137.1 kg
NRM4 150x125x200X	AT07410-IE3	400/690 V	11.0 kW	160	22.0 A	187.0 kg
NRM4 150x125x200Y	AT07408-IE3	400/690 V	7.5 kW	132	14.4 A	155.0 kg
NRM4 150x125x200Z	AT07406-IE3	400/690 V	7.5 kW	132	14.4 A	148.0 kg
NRM4 150x125x250X	AT07420-IE3	400/690 V	15.0 kW	160	29.0 A	205.0 kg
NRM4 150x125x250Y	AT07418-IE3	400/690 V	15.0 kW	160	29.0 A	205.0 kg
NRM4 150x125x250Z	AT07416-IE3	400/690 V	11.0 kW	160	22.0 A	197.5 kg



DIMENSIONS [mm]

Type	Fig.	DNa	DNm	a	h1	h2	h3	b	c	m1	m2	n1	n2	s	B	H	k	L~	E~	W	AC	AD	AE	AA	AB
NRM4 150x125x200W	2	150	125	140	250	280	118	80	14	160	120	400	315	18	470	565	12	657	194	230	216	140	180	59	256
NRM4 150x125x200X	2	150	125	140	250	315	90	80	14	160	120	400	315	18	470	565	14	790	238	241	254	210	270	76	320
NRM4 150x125x200Y	2	150	125	140	250	315	118	80	14	160	120	400	315	18	470	565	12	697	194	241	216	178	218	59	256
NRM4 150x125x200Z	2	150	125	140	250	315	118	80	14	160	120	400	315	18	470	565	12	697	194	241	216	178	218	59	256
NRM4 150x125x250X	2	150	125	140	250	355	90	80	16	160	120	400	315	18	470	605	14	854	238	280	254	254	310	76	320
NRM4 150x125x250Y	2	150	125	140	250	355	90	80	16	160	120	400	315	18	470	605	14	854	238	260	254	254	310	76	320
NRM4 150x125x250Z	2	150	125	140	250	355	90	80	16	160	120	400	315	18	470	605	14	790	238	260	254	210	270	76	320

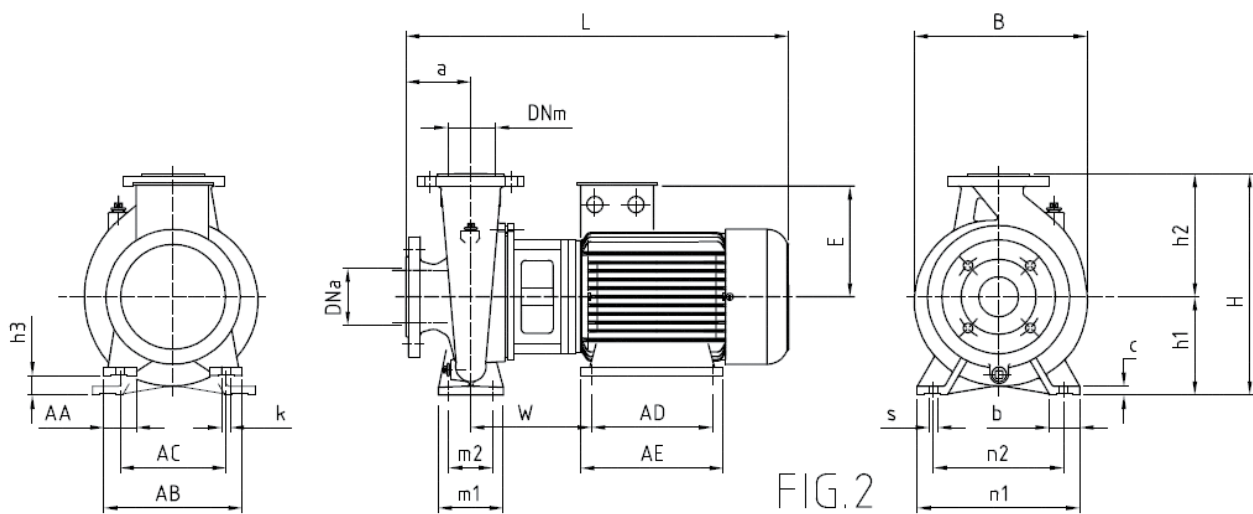
NRM4 200X150

SURFACE PUMPS - MONOBLOC NORMALISED PUMPS

Type	Flow rate Q [m ³ /h]	150	180	210	240	270	300	330	360	390
NRM4 200x150x200W	Delivery head H [m]	10.4	9.7	8.9	7.9	6.7	5.5			
NRM4 200x150x200X			14.5	14.0	13.2	12.5	11.6	10.6	9.4	8.0
NRM4 200x150x200Y			13.3	12.6	12.0	11.1	10.1	9.0	7.6	
NRM4 200x150x200Z		11.5	10.9	10.2	9.3	8.3	7.0	5.8		

NRM4 200X150

Type	Code No.	Voltage	Motor rating P2	Motor frame	Current	Weight
NRM4 200x150x200W	AT07424-IE3	400/690 V	5.5 kW	132	14.4 A	181.0 kg
NRM4 200x150x200X	AT07430-IE3	400/690 V	15.0 kW	160	29.0 A	220.0 kg
NRM4 200x150x200Y	AT07428-IE3	400/690 V	11.0 kW	160	22.0 A	218.0 kg
NRM4 200x150x200Z	AT07426-IE3	400/690 V	11.0 kW	160	22.0 A	210.5 kg



DIMENSIONS [mm]

Type	Fig.	DNa	DNm	a	h1	h2	h3	b	c	m1	m2	n1	n2	s	B	H	k	L~	E~	W	AC	AD	AE	AA	AB
NRM4 200x150x200W	2	200	150	160	280	400	148	100	22	200	155	550	450	24	550	680	12	717	194	280	216	178	218	59	256
NRM4 200x150x200X	2	200	150	160	280	400	120	100	22	200	155	550	450	24	550	680	14	874	238	260	254	254	310	76	320
NRM4 200x150x200Y	2	200	150	160	280	400	120	100	22	200	155	550	450	24	550	680	14	810	238	260	254	210	270	76	320
NRM4 200x150x200Z	2	200	150	160	280	400	120	100	22	200	155	550	450	24	550	680	14	810	238	241	254	210	270	76	320

NRM

SURFACE PUMPS - MONOBLOC NORMALISED PUMPS