

Pentair Water Italy S.r.l.
 Via Masaccio, 13
 56010 Lugnano (PI)
 ITALY

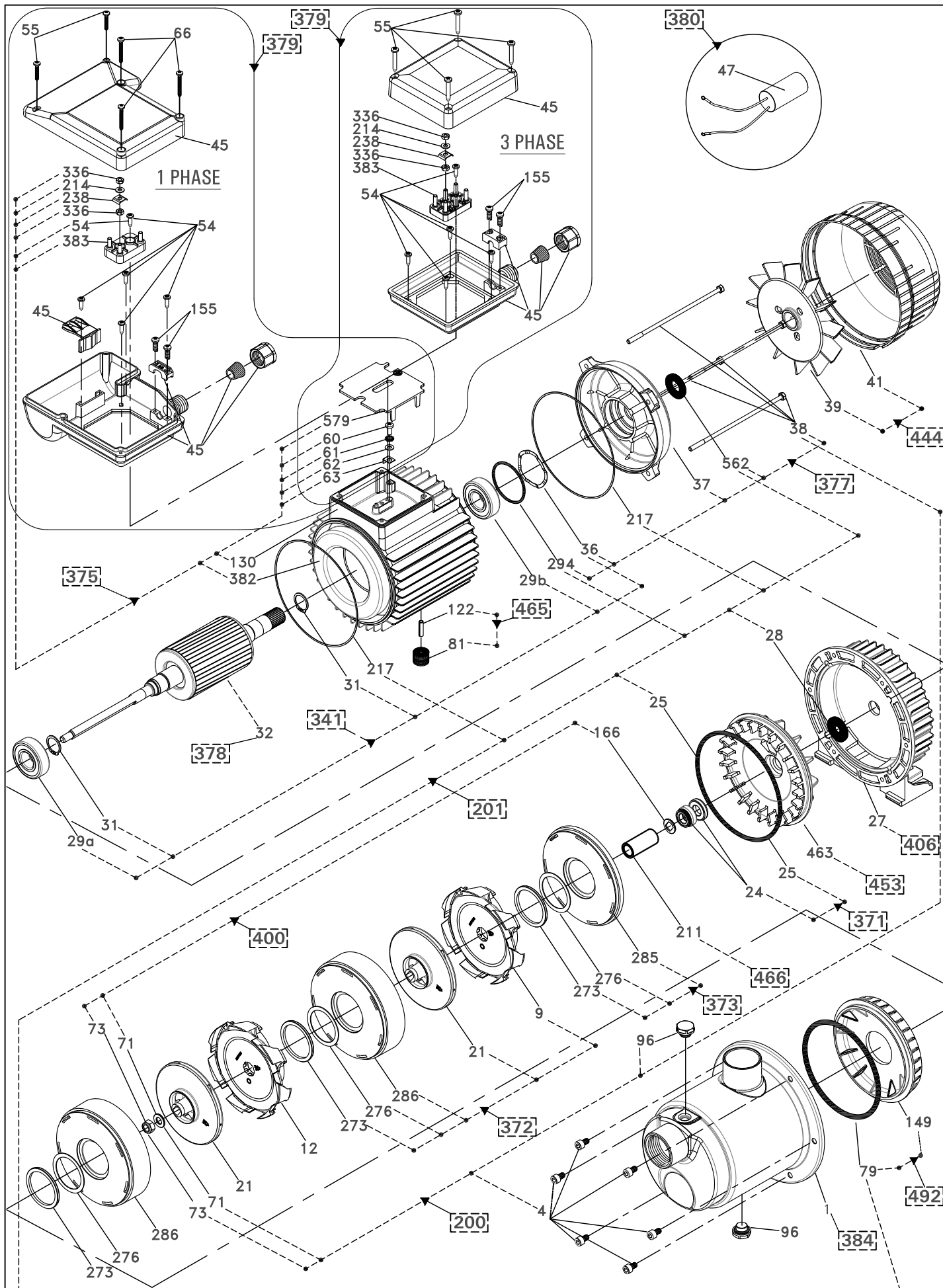
Drawn A. Bertola
 Approved M. Bernacca

Title Multi EVO 3 - 5 m³/h
 Date (dd/mm/yy) 10/10/2014
 Dwg #

Sheet 1 of 1

DR140005_01

This drawing is the absolute property of Pentair Water Italy S.r.l. It may not be reproduced in any form without the written permission of Pentair Water Italy S.r.l.



Pentair Water Italy S.r.l.
 Via Masaccio, 13
 56010 Lugnano (PI)
 ITALY

Drawn A. Bertola
 Approved M. Bernacca

Title Multi EVO 8
 Date (dd/mm/yy) 10/10/2014
 Dwg #

Sheet 1 of 1

DR140007_00

This drawing is the absolute property of Pentair Water Italy S.r.l. It may not be reproduced in any form without the written permission of Pentair Water Italy S.r.l.