

MULTI EVO-A

SURFACE PUMPS - SELF-PRIMING

- High reliability - thanks to the durable and innovative design
- Silent operation - improved user comfort thanks to its silent operation
- Compact dimensions
- Many possible uses for the residential market
- Excellent priming capacity



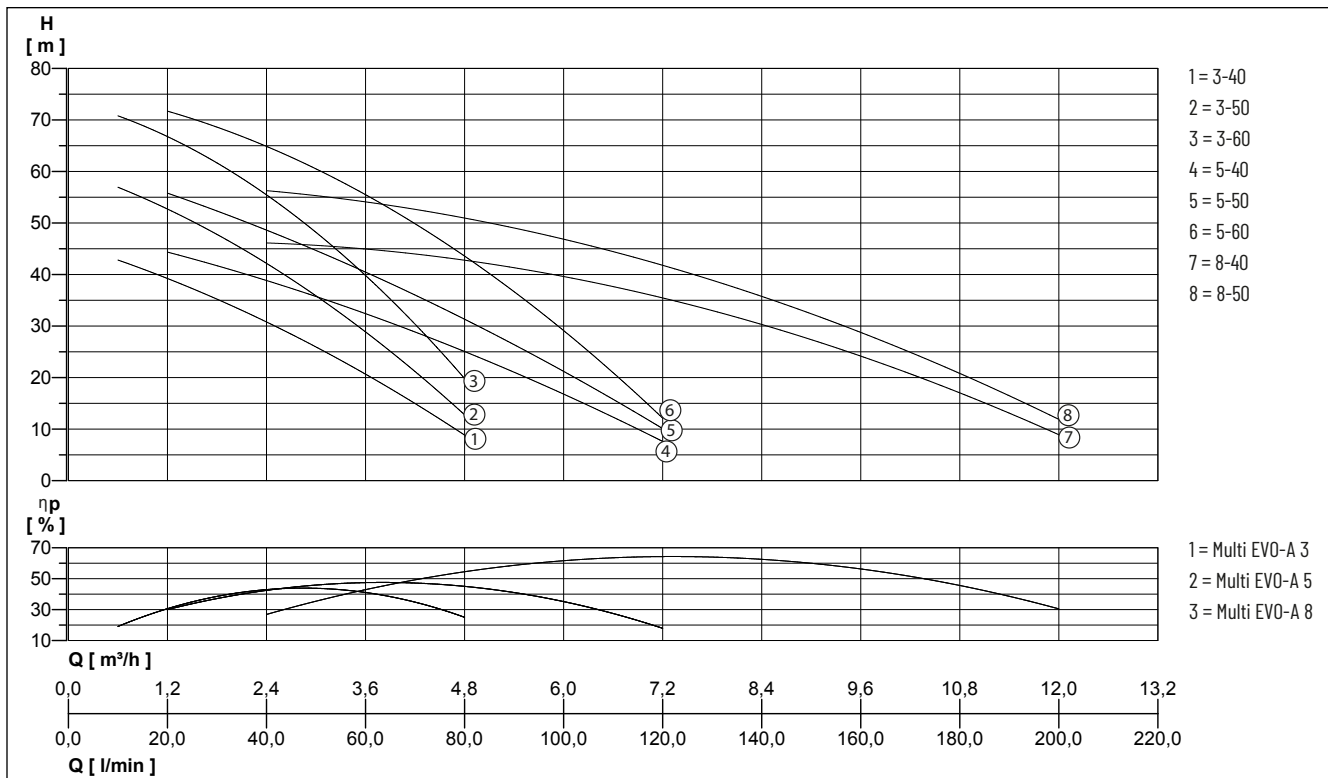
DESCRIPTION

Multi EVO-A is a self-priming multi-stage centrifugal horizontal pump with an inlet with axial thread and an outlet with radial thread. The innovative, high efficiency hydraulic system is connected to a motor of the latest generation with a mechanical seal.

APPLICATIONS

- Pressurization and supply
- Irrigation
- Use of rainwater
- Washing systems

PERFORMANCE



We reserve the right to change specifications without notice. Pump performance is subject to ISO 9906 ISO 9906:2012 - Grade 3B tolerances.

MULTI EVO-A

SURFACE PUMPS - SELF-PRIMING

Type	Flow rate Q [m³/h]	0.6	1.2	1.8	2.4	3	3.6	4.8	6	7.2	8.4	9.6	10.8	12
MULTI EVO-A 3-40 M/M-C/T	Delivery head H [m]	42.5	39.5	35.5	31.0	25.5	20.5	9.0						
MULTI EVO-A 3-50 M/T		56.5	53.0	48.5	42.0	35.5	28.6	13.0						
MULTI EVO-A 3-60 M/T		70.5	67.0	62.0	55.5	48.0	39.5	20.0						
MULTI EVO-A 5-40 M/T			44.5	41.5	39.0	35.5	32.5	25.0	17.0	7.5				
MULTI EVO-A 5-50 M/M-C/T			56.0	52.0	48.5	45.0	40.5	31.0	21.5	10.0				
MULTI EVO-A 5-60 M/T			71.5	68.5	65.0	61.0	55.5	43.5	28.5	12.5				
MULTI EVO-A 8-40 M/T					46.0	46.0	45.0	42.0	40.0	36.0	30.0	24.0	17.0	9.0
MULTI EVO-A 8-50 M/T					56.5	55.0	54.0	51.0	47.0	42.0	36.0	28.0	21.0	12.0

MECHANICAL DATA

Shaft	Stainless steel Europe: EN10088-1 X5CrNi18-10 (1.4301) USA: AISI 304	Diffuser	PPO reinforced with fibreglass
Impeller	PPO reinforced with fibreglass	Mechanical seal	Carbon graphite / NBR / SS
Motor housing	Die-cast aluminium	Counterface	Ceramic / NBR
Pump housing	Stainless steel Europe: EN10088-1 X 5 CrNi 1810 (1.4301) USA: AISI 304	Operating pressure max.	8 bar
		Type of liquid	clean water without suspended solids or abrasive material
		Temperature of the liquid max.	50 °C
		Gasket	NBR 70 Shore A

ELECTRICAL DATA

Type of enclosure	IP 55	Ambient temperature max.	40 °C
Insulation class	F	Rotation speed	2850 rpm

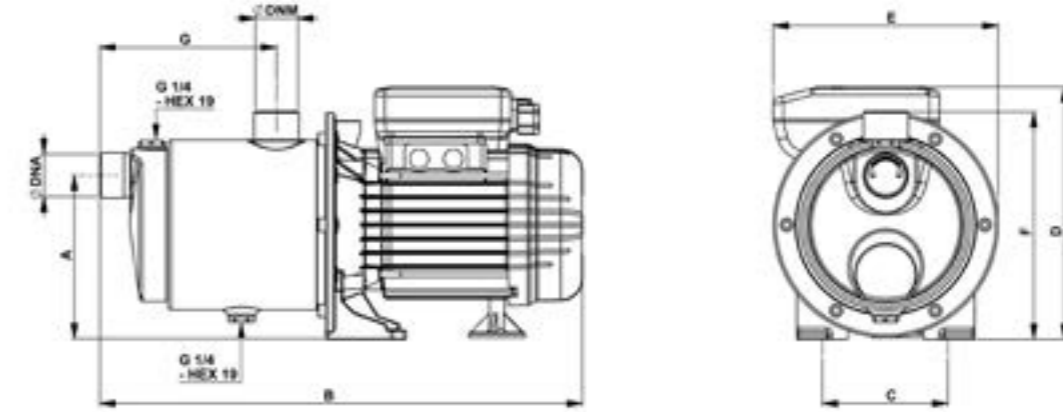
MULTI EVO-A

Type	Code No.	Voltage	Motor rating		Current	Plug	Weight
			P1	P2			
MULTI EVO-A 3-40 M	N4502140	1/N/PE~230 V	0.80 kW	0.51 kW	3.70 A	Without	7.3 kg
MULTI EVO-A 3-40 M-C	N4502141	1/N/PE~230 V	0.80 kW	0.51 kW	3.70 A	Safety	7.3 kg
MULTI EVO-A 3-40 T	N4502640	3/PE~230/400 V	0.70 kW	0.50 kW	2.40 A/1.40 A	Without	7.6 kg
MULTI EVO-A 3-50 M	N4502150	1/N/PE~230 V	1.00 kW	0.70 kW	4.40 A	Without	9.3 kg
MULTI EVO-A 3-50 T	N4502650	3/PE~230/400 V	0.95 kW	0.75 kW	3.30 A/1.90 A	Without	9.3 kg
MULTI EVO-A 3-60 M	N4502160	1/N/PE~230 V	1.25 kW	0.90 kW	5.70 A	Without	10.8 kg
MULTI EVO-A 3-60 T	N4502260	3/PE~230/400 V	1.17 kW	0.82 kW	3.50 A/2.00 A	Without	10.8 kg
MULTI EVO-A 5-40 M	N4504140	1/N/PE~230 V	1.10 kW	0.75 kW	4.70 A	Without	9.0 kg
MULTI EVO-A 5-40 T	N4504240	3/PE~230/400 V	1.10 kW	0.75 kW	3.40 A/2.00 A	Without	9.0 kg
MULTI EVO-A 5-50 M	N4504150	1/N/PE~230 V	1.35 kW	0.95 kW	6.20 A	Without	10.6 kg
MULTI EVO-A 5-50 M-C	N4504151	1/N/PE~230 V	1.35 kW	0.95 kW	6.20 A	Safety	10.6 kg
MULTI EVO-A 5-50 T	N4504250	3/PE~230/400 V	1.25 kW	0.90 kW	3.70 A/2.10 A	Without	11.0 kg
MULTI EVO-A 5-60 M	N4504160	1/N/PE~230 V	1.65 kW	1.20 kW	7.50 A	Without	13.5 kg
MULTI EVO-A 5-60 T	N4504260	3/PE~230/400 V	1.57 kW	1.20 kW	5.30 A/3.10 A	Without	13.5 kg
MULTI EVO-A 8-40 M	N4507140	1/N/PE~230 V	1.66 kW	1.20 kW	7.70 A	Without	13.5 kg
MULTI EVO-A 8-40 T	N4507240	3/PE~230/400 V	1.50 kW	1.18 kW	5.00 A/2.95 A	Without	13.5 kg
MULTI EVO-A 8-50 M	N4507150	1/N/PE~230 V	2.00 kW	1.40 kW	9.00 A	Without	14.5 kg
MULTI EVO-A 8-50 T	N4507250	3/PE~230/400 V	1.95 kW	1.40 kW	6.70 A/4.00 A	Without	14.5 kg

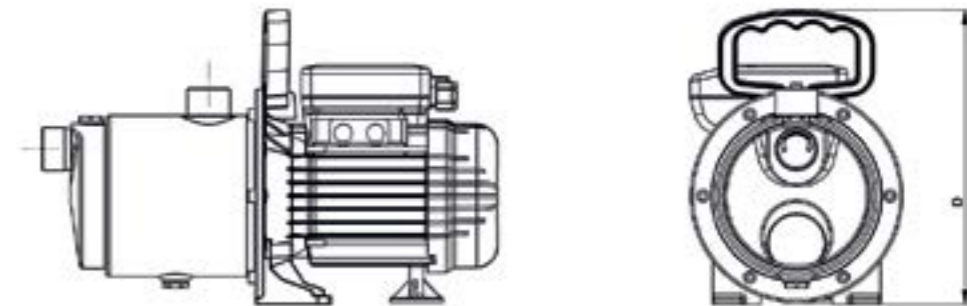
MULTI EVO-A

SURFACE PUMPS - SELF-PRIMING

Version 3-5



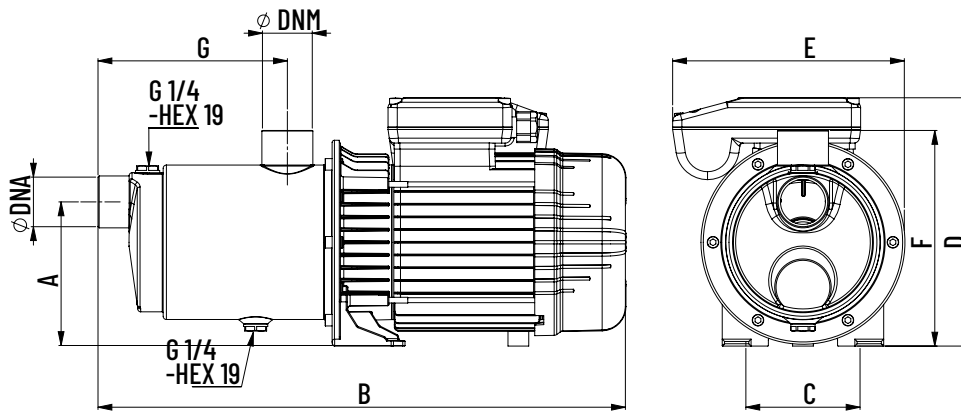
Version *C



MULTI EVO-A

SURFACE PUMPS - SELF-PRIMING

Version 8



DIMENSIONS [mm]

Type	A	B	C	D	F	G	DNA	DNM	E
MULTI EVO-A 3-40 M/T	129	380	100	199	180	139	1"	1"	177
MULTI EVO-A 3-40 M-C	129	380	100	245	180	139	1"	1"	177
MULTI EVO-A 3-50 M/T	129	422	100	207	180	162	1"	1"	177
MULTI EVO-A 3-60 M/T	129	422	100	207	180	162	1"	1"	177
MULTI EVO-A 5-40 M/T	129	400	100	207	180	139	1"	1"	177
MULTI EVO-A 5-50 M/T	129	422	100	207	180	162	1"	1"	177
MULTI EVO-A 5-50 M-C	129	422	100	245	180	162	1"	1"	177
MULTI EVO-A 5-60 M	129	457	100	215	180	162	1"	1"	203
MULTI EVO-A 5-60 T	129	457	100	215	180	162	1"	1"	177
MULTI EVO-A 8-40 M	125	457	100	215	187	164	1 1/4"	1 1/4"	203
MULTI EVO-A 8-40 T	125	457	100	215	187	164	1 1/4"	1 1/4"	177
MULTI EVO-A 8-50 M	125	457	100	215	187	164	1 1/4"	1 1/4"	203
MULTI EVO-A 8-50 T	125	457	100	215	187	164	1 1/4"	1 1/4"	177