



High-flow self-priming vertical pool pump available at 4 poles up to 10 HP ideal for quiet operation and larger filtration. Cataphoresis painting, pre-filter in AISI316 and pump body in polypropylene with glass fiber give a remarkable resistance to corrosion. In addition, a large support base make the whole system particularly robust.



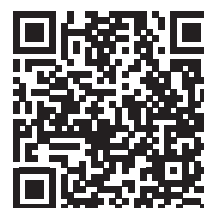
Bronze impeller (on request)

Construction features

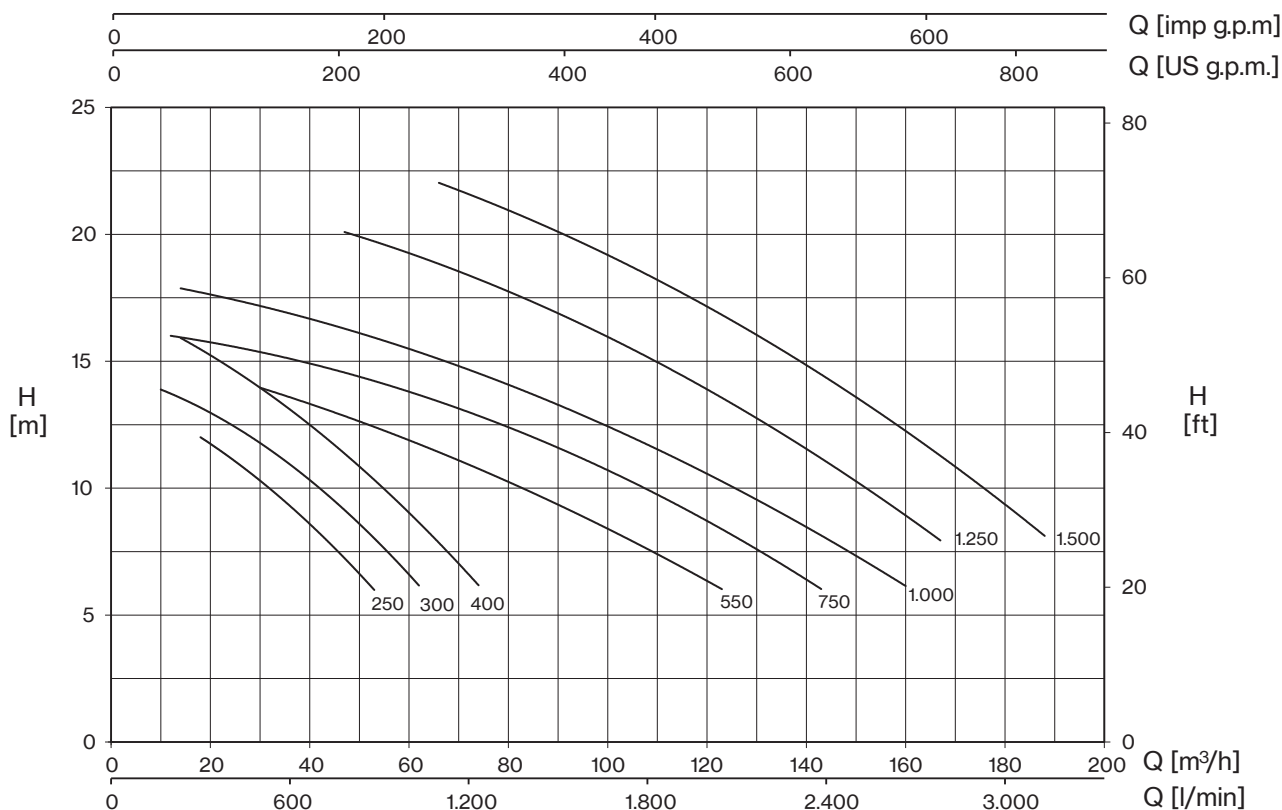
Painting	cataphoresis
Pump body, seal housing, diffuser	polypropylene + fiber glass
Motor bracket	aluminum
Impeller	Noryl®, marine bronze on request
Mechanical seal	ceramic-graphite-AISI 316
Motor shaft	stainless steel AISI 316
Liquid temperature	max 40 °C
Pre-filter	stainless steel AISI 316L

Motor

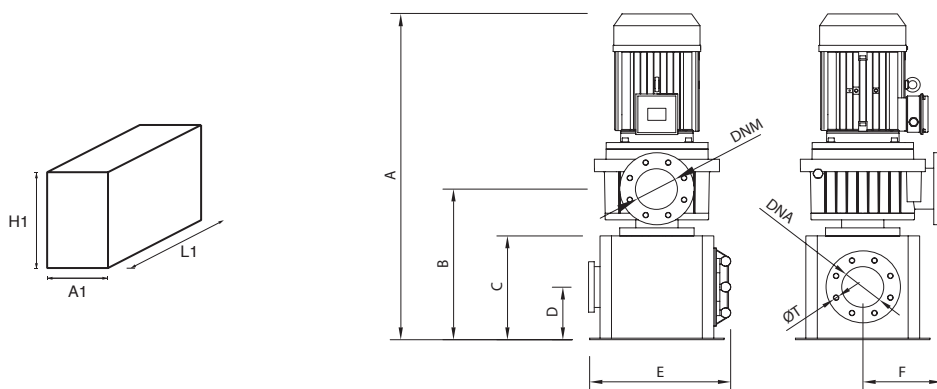
2 Poles induction motor	3~ 230V/400V-50Hz 3~ 400V/690V-50Hz
Insulation class	F
Protection degree	IP55



V-POOL4



TYPE	P2		AMPERE		rpm	H (m)												DNA	DNM	Minimum size of suction pipe
			3~	3~		6	8	10	12	14	16	18	20	22						
	HP	kW	230 V	400V		Q (m³/h)														
V-POOL4 4-250	2,5	1,8	8,5	4,9	1450	53	43	32	18										110	
V-POOL4 4-300	3	2,2	9,4	5,3	1450	62	54	43	26	10									125	
V-POOL4 4-400	4	3	12,5	6,9	1450	74	66	56	42	29	14								140	
V-POOL4 4-550	5,5	4	15,3	8,8	1450	123	104	84	57	30									160	
V-POOL4 4-750	7,5	5,5		12	1450	143	127	107	85	57	12								180	
V-POOL4 4-1000	10	7,5		15,8	1450	160	145	126	107	80	48	14							180	
V-POOL4 2-1250	12,5	9,2		18,5	2850		167	152	136	118	99	80	47						180	
V-POOL4 2-1500	15	11		20,9	2850		188	177	162	146	130	112	92	66					200	



TYPE	DIMENSIONS (mm)															Kg		
	A	B	C	D	E	F	G	H	I	J	K	DN	ØT	Pt	A1		H1	L1
V-POOL4 4-250	420	405	530	310	265	495	335	300	450	590	370	110	16	180	385	595	840	42
V-POOL4 4-300	420	405	530	310	265	495	335	300	450	590	370				385	595	840	42,5
V-POOL4 4-400	420	405	530	310	265	495	335	300	450	590	370				385	595	840	44,5
V-POOL4 4-550	420	405	530	335	265	495	335	300	450	590	370				385	715	1170	53,4
V-POOL4 4-750	420	405	508	380	265	495	335	300	450	590	370				385	715	1170	66
V-POOL4 4-1000	420	405	508	380	265	495	335	300	450	590	370				385	715	1170	76
V-POOL4 2-1250	420	405	508	380	265	495	335	300	450	590	370				385	715	1170	84,5
V-POOL4 2-1500	420	405	508	380	265	495	335	300	450	590	370				385	715	1170	85,5