

## CB

### SURFACE PUMPS - HORIZONTAL TWO-STAGE

- High hydraulic performance
- Highly reliable
- Sturdy and resistant
- Quite operation



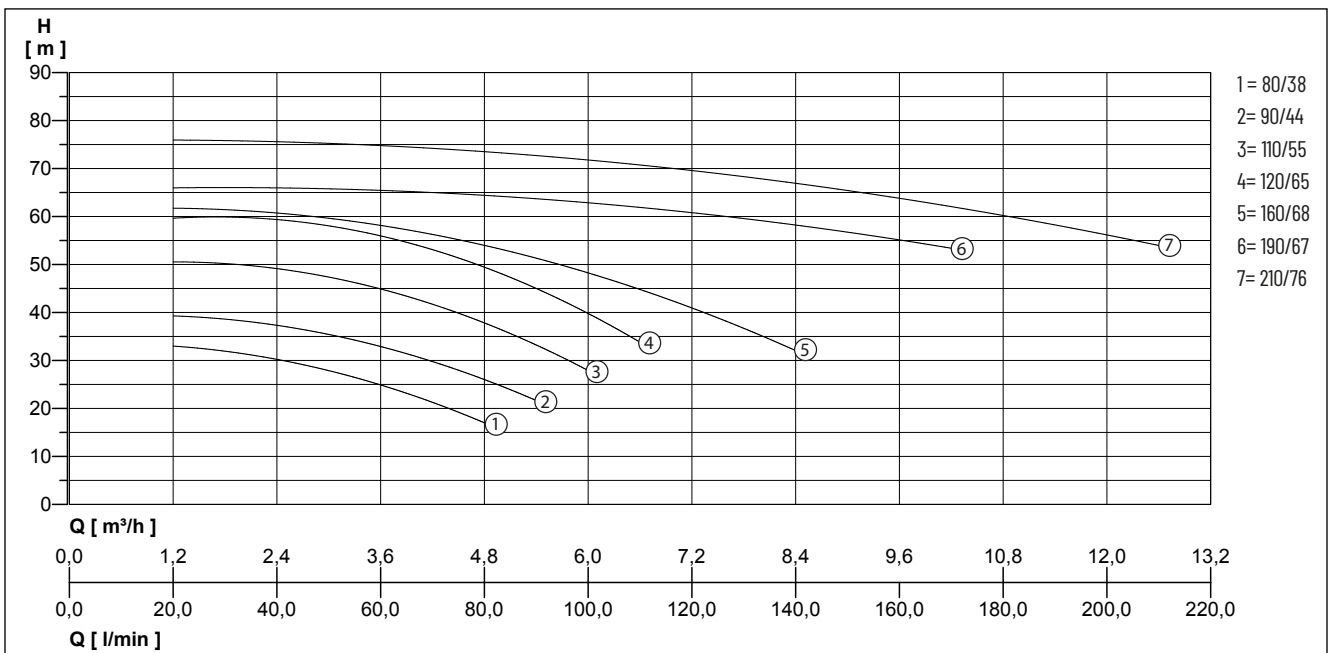
#### DESCRIPTION

The two opposite impellers with balanced axial thrust allow for high efficiency, making them particularly suitable for civil and industrial use, autoclave units, etc.

#### APPLICATIONS

- Pressurization systems
- Small automatic systems for garden irrigation
- Handling of non-aggressive liquids
- Washing systems

#### PERFORMANCE



We reserve the right to change specifications without notice. Pump performance is subject to ISO 9906 ISO 9906:2012 - Grade 3B tolerances.

Type	Flow rate Q [m <sup>3</sup> /h]	1.2	2.4	3	4.8	5.4	6	6.6	8.4	9.6	10.8	12
CB 80/38 M	Delivery head H [m]	33.0	30.2	27.9	17.0							
CB 90/44 M		39.5	37.0	35.2	27.0	21.0						
CB 110/55 M/T		50.8	48.8	47.1	38.4	33.4	27.5					
CB 120/65 M		60.5	58.6	56.9	49.8	46.5	40.3	32.5				
CB 160/68 T			60.5	59.3	54.1	51.6	48.4	44.6	32.0			
CB 190/67 T				67.0	64.8	63.9	62.5	62.0	58.0	53.5		
CB 210/76 T				76.5	73.9	72.9	71.8	70.5	66.8	62.0	58.3	54.0

# CB

## SURFACE PUMPS - HORIZONTAL TWO-STAGE

### MECHANICAL DATA

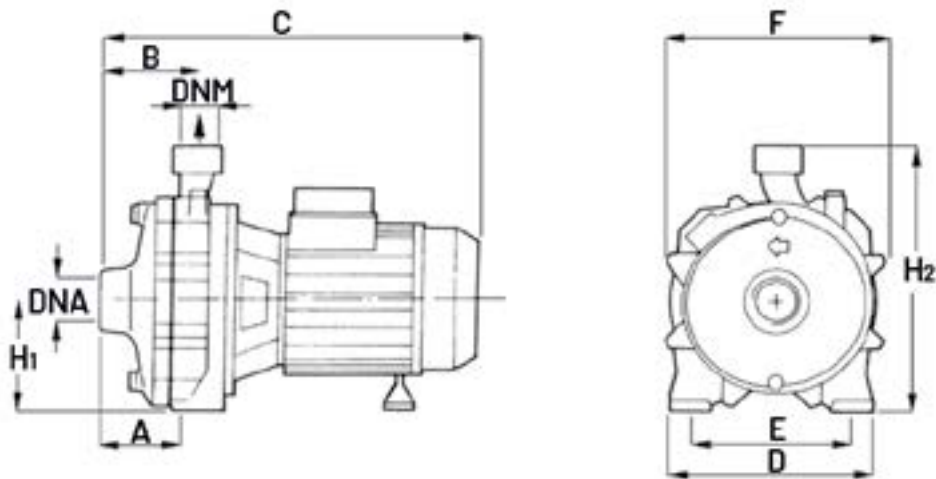
Pump housing	Cast iron EN GJL 200	Type of liquid	clear or slightly turbid non-abrasive water
Mechanical seal	Graphite	Saughöhe max.	5 m
Counterface	Ceramic	Gasket	NBR

### ELECTRICAL DATA

Type of enclosure	IP 44	Ambient temperature max.	40 °C
Insulation class	F	Rotation speed	2850 rpm

### CB

Type	Code No.	Voltage	Motor rating		Current	Shaft	Motor housing	Temperature of the liquid max.	Weight
			P1	P2					
<b>Operating pressure max.:6 bar, Impeller:Technopolymer</b>									
CB 80/38 M	<b>N4189010</b>	1/N/PE~230 V	1.1 kW	0.55 kW	5.0 A	AISI 416	Aluminum	40 °C	13.5 kg
CB 90/44 M	<b>N4189030</b>	1/N/PE~230 V	1.4 kW	0.74 kW	6.1 A	AISI 416	Aluminum	40 °C	15.0 kg
<b>Operating pressure max.:10 bar, Impeller:Brass</b>									
CB 110/55 M	<b>N4189050</b>	1/N/PE~230 V	1.9 kW	1.10 kW	8.6 A	AISI 303	Cast iron	90 °C	25.0 kg
CB 110/55 T	<b>N4189060</b>	3/PE~230/400 V	1.8 kW	1.10 kW	5.5 A/3.2 A	AISI 303	Cast iron	90 °C	25.0 kg
CB 120/65 M	<b>N4189070</b>	1/N/PE~230 V	2.4 kW	1.50 kW	10.8 A	AISI 303	Cast iron	90 °C	27.0 kg
CB 120/65	<b>N4189080</b>	3/PE~230/400 V	2.1 kW	1.50 kW	6.9 A/4.0 A	AISI 303	Cast iron	90 °C	27.0 kg
CB 160/68 T	<b>N4189090</b>	3/PE~230/400 V	2.6 kW	2.20 kW	8.1 A/4.7 A	AISI 303	Cast iron	90 °C	27.0 kg
CB 190/67 T	<b>N4189100</b>	3/PE~230/400 V	4.1 kW	3.00 kW	12.5 A/7.2 A	AISI 304	Cast iron	90 °C	42.5 kg
CB 210/76 T	<b>N4189110</b>	3/PE~230/400 V	4.6 kW	4.00 kW	15.1 A/8.7 A	AISI 304	Cast iron	90 °C	46.3 kg



### DIMENSIONS [mm]

Type	A	B	C	D	F	H1	H2	DNA	DNM	E
CB 80/38 M	58	73	336	180	183	97	227	1"	1"	140
CB 90/44 M	58	73	336	180	183	97	227	1"	1"	140
CB 110/55 M/T	66	86	394	195	209	110	265	1 1/4"	1"	155
CB 120/65 M	66	86	410	195	209	110	265	1 1/4"	1"	155
CB 160/68 T	66	86	410	195	194	110	265	1 1/4"	1"	155
CB 190/67 T	72	96	467	230	228	133	309	1 1/2"	1 1/4"	180
CB 210/76 T	72	96	467	230	228	133	309	1 1/2"	1 1/4"	180