

NOCCHI NRB

JOINT BASE NORMALISED CENTRIFUGAL PUMPS (2 AND 4 POLES)

STURDY AND RESISTANT, WIDE RANGE

The pumps of the series NRB are single stage centrifugal pumps with a horizontal axis and they are designed in accordance with standard EN733/ DIN24255 so as to have the maximum interchangeability of the components. The impeller is balanced dynamically and hydraulically. The shaft is suitably oversized to ensure rigidity and it is supported by strong ball bearings lubricated with grease.

MOTOR

- Closed, ventilated from outside
- Degree of protection IP55
- Constructive shape B3
- Insulation class F
- Three-phase power supply
- Speed of rotation 2850 rpm.
- Continuous service.
- Three-phase motor efficiency class:
IE2 from 0.75 kW
IE3 from 7.5 kW

APPLICATIONS

- Aqueducts
- Irrigation
- Water supply
- Industrial applications

USAGE DATA

- Temperature of pumped liquid:
-10°C / +130°C
- Capacity up to 330 m³/h
- Head up to 95 m
- Max. intake pressure 4 bar
- Maximum operating pressure: 10 bar
- Operating temperature: -10°C / +130

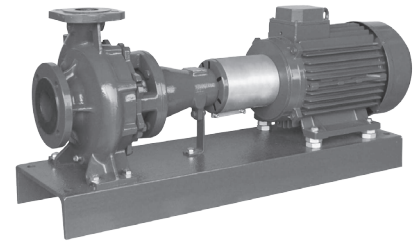


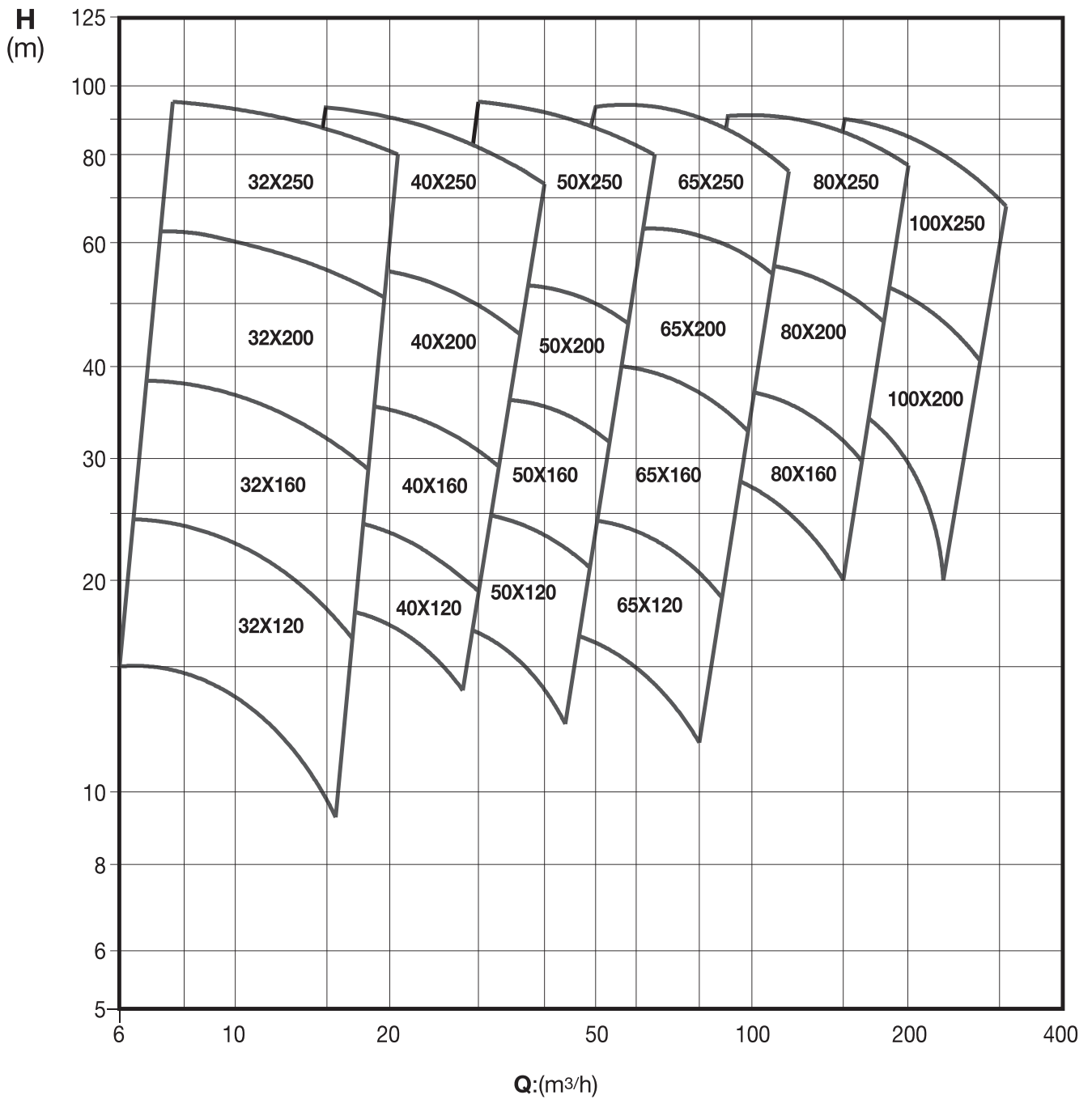
TABLE OF MATERIALS

Component	Material
Pump body	Cast iron EN GJL 200
Motor casing	Cast iron EN GJL 200 - Bronze (on request)
Cover of body	Cast iron EN GJL 200
Pump support	Cast iron EN GJL 200
Shaft	AISI 420 Stainless Steel
Mechanical seal	Ceramic/Graphite/EPDM - Carbide/Carbide/EPDM (on request)

NOCCHI NRB2

JOINT BASE NORMALISED CENTRIFUGAL PUMPS (2 AND 4 POLES)

HYDRAULIC PERFORMANCE



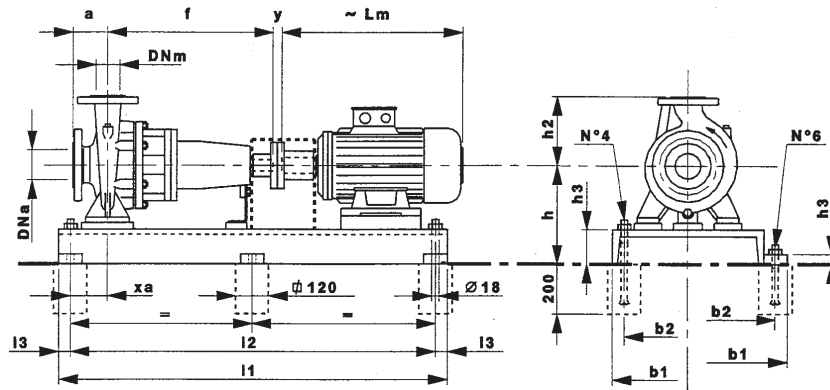
NOCCHI NRB2 32

JOINT BASE NORMALISED CENTRIFUGAL PUMPS (2 AND 4 POLES)

PERFORMANCE TABLE

MOD.	P2		VOLT. (V)	In (A)	Q	Q												
	HP	kW				l/min	100	150	225	250	300	350	400	450				
						m³/h	6	9	13.5	15	18	21	24	27				
NRB2 32x120C	1	0.75	230/400	1.7	m.c.a. / m.c.w.	15.5	14.5	12	9									
NRB2 32x120B	1.5	1.1	230/400	2.3		21	20	18	15	11.5								
NRB2 32x120A	2	1.5	230/400	3		24.5	23.5	22	19.5	16.5	13							
NRB2 32x160C	3	2.2	230/400	4.3		31.5	30	28	25.5	22								
NRB2 32x160B	4	3	230/400	5.6		34.5	33.5	31.5	29	26								
NRB2 32x160A	4	3	230/400	5.6		38	36.5	35	32.5	30	26.5							
NRB2 32x200C	5.5	4	230/400	7.1		47.5	46.5	44.5	42.5	39	35							
NRB2 32x200B	7.5	5.5	400	9.9		56	55	53.5	51.5	49.5	46	42	37					
NRB2 32x200A	10	7.5	400	13.7		61	60.5	59	57.5	55	52.5	49	45					

MEI > 0.1 - Reference MEI > 0.70 - The information on the reference efficiency is available at the address: www.europump.org/efficiencycharts
For efficiency characteristics see www.nocchi.it



OVERALL DIMENSIONS AND WEIGHTS

MOD.	Motor			DNm	DNa	Dimensions mm.											WEIGHTS (Kg)
	Type	Lm	Y			PN16 mm	PN16 mm	a	f	h2	b1	b2	l1	l2	l3	h	
NRB2 32x120A	90 S2	302	16	32	50	80	360	140	240	170	850	800	25	197	85	100	65
NRB2 32x120B	80 B2	280	16	32	50	80	360	140	240	170	850	800	25	197	85	100	63
NRB2 32x120C	80 A2	280	16	32	50	80	360	140	240	170	850	800	25	197	85	100	61
NRB2 32x160A	100 L2	369	22	32	50	80	360	140	240	170	850	800	25	217	85	100	80
NRB2 32x160B	90 L2	369	22	32	50	80	360	140	240	170	850	800	25	217	85	100	80
NRB2 32x160C	90 L2	327	16	32	50	80	360	140	240	170	850	800	25	217	85	100	74
NRB2 32x200A	112 MC2	386	22	32	50	80	360	140	240	170	850	800	25	245	85	100	98
NRB2 32x200B	112 MB2	386	22	32	50	80	360	140	240	170	850	800	25	245	85	100	95
NRB2 32x200C	112 M2	386	22	32	50	80	360	140	240	170	850	800	25	245	85	100	95

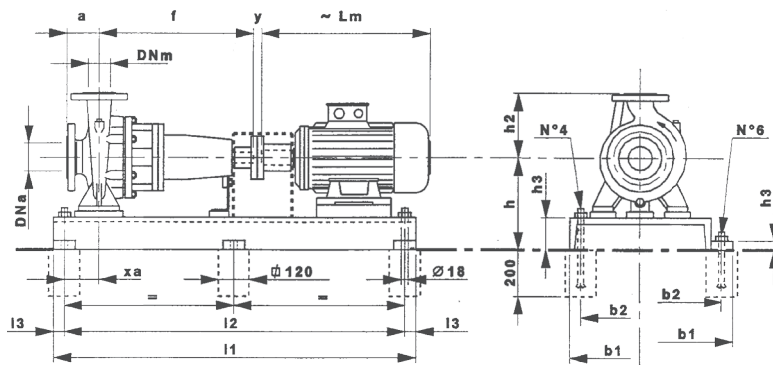
NOCCHI NRB2 40

JOINT BASE NORMALISED CENTRIFUGAL PUMPS (2 AND 4 POLES)

PERFORMANCE TABLE

MOD.	P2		VOLT. (V)	In (A)	Q	Flow Rate																
	HP	kW				l/min	200	250	300	350	400	450	500	550	600	650	700	750				
						m³/h	12	15	18	21	24	27	30	33	36	39	42	45				
NRB2 40x120C	2	1.5	230/400	3	m.c.a. / m.c.w.	18	17.5	17	15.5	14												
NRB2 40x120B	3	2.2	230/400	4.3		21.5	21	20.5	20	19	17.5	15.5										
NRB2 40x120A	4	3	230/400	5.6		25	24.5	24	23.5	23	22	20.5	18.5									
NRB2 40x160C	4	3	230/400	5.6		31	30	29	28	26.5	25	22.5	19.5									
NRB2 40x160B	5.5	4	230/400	7.1		34	33	32	31	30	28.5	26.5	24.5	21.5								
NRB2 40x160A	5.5	4	230/400	7.1		37	36.5	35.5	34.5	33.5	32.5	31	29	26.5								
NRB2 40X200C	7.5	5.5	400	9.9		43.5	43	42	40	38	36	33	29	24								
NRB2 40X200B	10	7.5	400	13.7		52	51	50	49	47	45	43	40	37	33	28						
NRB2 40X200A	15	11	400	19.4		57	56.5	55.5	54	53	51	49	47	44	41	37						
NRB2 40X250C	15	11	400	19.4		73	72	71	70	67.5	65	62	57	51	44							
NRB2 40X250B	20	15	400	26.1		82.5	82	81	80	79	77	75	72	68	63	56						
NRB2 40X250A	25	18.5	400	31.7		93	92.5	92	91	90	88	86	84	81	77	72	67					

MEI ≥ 0.1 - Reference MEI ≥ 0.70 - The information on the reference efficiency is available at the address: www.europump.org/efficiencycharts
For efficiency characteristics see www.nocchi.it



OVERALL DIMENSIONS AND WEIGHTS

MOD.	Motor			DNm	DNa	Dimensions mm.											WEIGHTS (Kg)
	Type	Lm	Y			PN16 mm	PN16 mm	a	f	h2	b1	b2	l1	l2	l3	h	
NRB2 40x120A	100 L2	369	22	40	65	80	360	140	240	170	850	800	25	197	85	100	75
NRB2 40x120B	90 L2	327	16	40	65	80	360	140	240	170	850	800	25	197	85	100	69
NRB2 40x120C	90 S2	302	16	40	65	80	360	140	240	170	850	800	25	197	85	100	67
NRB2 40x160A	112 M2	386	22	40	65	80	360	160	240	170	850	800	25	217	85	100	91
NRB2 40x160B	112 M2	386	22	40	65	80	360	160	240	170	850	800	25	217	85	100	91
NRB2 40x160C	100 L2	369	22	40	65	80	360	160	240	170	850	800	25	217	85	100	81
NRB2 40X200A	132 MB2	498	24	40	65	100	360	180	280	210	950	900	25	255	95	100	128
NRB2 40X200B	112 MC2	386	22	40	65	100	360	180	280	210	950	900	25	255	95	100	112
NRB2 40X200C	112 MC2	386	22	40	65	100	360	180	280	210	950	900	25	255	95	100	109
NRB2 40X250A	160 L2	645	24	40	65	100	360	225	350	280	1120	1070	25	280	100	100	282
NRB2 40X250B	132 MD2	498	24	40	65	100	360	225	350	280	950	900	25	280	100	100	173
NRB2 40X250C	132 MD2	498	24	40	65	100	360	225	350	280	950	900	25	280	100	100	165

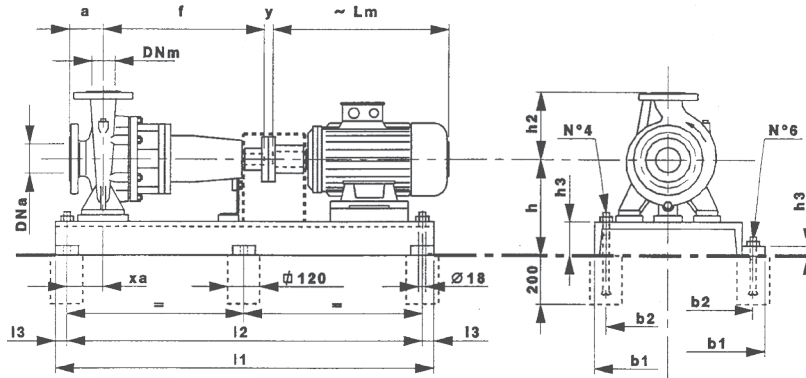
NOCCHI NRB2 50

JOINT BASE NORMALISED CENTRIFUGAL PUMPS (2 AND 4 POLES)

PERFORMANCE TABLE

MOD.	P2		VOLT. (V)	In (A)	Q	m.c.a. / m.c.w.												
	HP	kW				l/min	400	450	500	600	700	800	900	1000	1100	1200	1300	
						m ³ /h	24	27	30	36	42	48	54	60	66	72	78	
NRB2 50x120C	3	2.2	230/400	4.3	m.c.a. / m.c.w.	18	17.5	17	15.5	13.5								
NRB2 50x120B	4	3	230/400	5.6		22	21.5	21	20	18.6	16.5							
NRB2 50x120A	5.5	4	230/400	7.1		25.5	25.2	24.9	24	23	21.5	19.5	17.5					
NRB2 50x160C	5.5	4	230/400	7.1		27.5	27	26.5	25.5	23.5	21							
NRB2 50x160B	7.5	5.5	400	9.9		33	32.5	32	31	29.5	27.5	25.5	22					
NRB2 50x160A	10	7.5	400	13.7		37	36.5	36	35	34	32.5	31	29	26				
NRB2 50x200C	10	7.5	400	13.7		47	46.5	45	43	40	36	31.5						
NRB2 50x200B	15	11	400	19.4		52.5	52	51.5	49.5	46.5	43.5	39.5	35					
NRB2 50x200A	15	11	400	19.4		57.5	57	56.5	55	53	50	46.5	43					
NRB2 50x250D	20	15	400	26.1			70	69.5	67.5	65	61.5	57.5	51					
NRB2 50x250C	25	18.5	400	31.7			77	76.5	75	72.5	69.5	66	61.5	55.5				
NRB2 50x250B	30	22	400	37.8			88	87.5	86	84	82	78.5	74.5	69				
NRB2 50x250A	40	30	400	50.7			94.5	94	93	91.5	89.5	86.5	83.5	80	75.5	70		

MEI > 0.1 - Reference MEI > 0.70 - The information on the reference efficiency is available at the address: www.europump.org/efficiencycharts
For efficiency characteristics see www.nocchi.it



OVERALL DIMENSIONS AND WEIGHTS

MOD.	Motor			DNm	DNa	Dimensions mm.										WEIGHTS (Kg)	
	Type	Lm	Y			PN16 mm	PN16 mm	a	f	h2	b1	b2	l1	l2	l3		h
NRB2 50x120A	112 M2	386	22	50	65	100	360	160	240	170	850	800	25	217	85	100	90
NRB2 50x120B	100 L2	369	22	50	65	100	360	160	240	170	850	800	25	217	85	100	80
NRB2 50x120C	90 L2	327	16	50	65	100	360	160	240	170	850	800	25	217	85	100	74
NRB2 50x160A	112 MC2	386	22	50	65	100	360	180	280	210	950	900	25	255	95	100	108
NRB2 50x160B	112 MB2	386	22	50	65	100	360	180	280	210	950	900	25	255	95	100	105
NRB2 50x160C	112 M2	386	22	50	65	100	360	180	280	210	950	900	25	255	95	100	105
NRB2 50x200A	132 MC2	498	24	50	65	100	360	200	280	210	950	900	25	255	95	100	134
NRB2 50x200B	132 MB2	498	24	50	65	100	360	200	280	210	950	900	25	255	95	100	129
NRB2 50x200C	100 L2	386	22	50	65	100	360	200	280	210	950	900	25	255	95	100	113
NRB2 50x250A	112 MC2	775	28	50	65	100	360	225	400	330	1320	1270	25	310	110	100	394
NRB2 50x250B	200 LA2	670	28	50	65	100	360	225	400	330	1120	1070	25	290	110	100	316
NRB2 50x250C	180 M2	645	24	50	65	100	360	225	350	280	1120	1070	25	280	100	100	283
NRB2 50x250D	160 L2	498	24	50	65	100	360	225	350	280	950	900	25	280	100	100	185

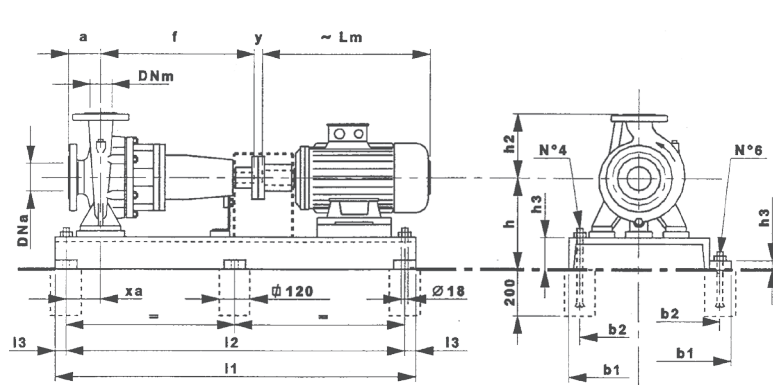
NOCCHI NRB2 65

JOINT BASE NORMALISED CENTRIFUGAL PUMPS (2 AND 4 POLES)

PERFORMANCE TABLE

MOD.	P2		VOLT. (V)	In (A)	Q	Flow rate (m³/h)														
	HP	kW				600	700	800	900	1000	1100	1200	1300	1400	1500	1600	1800	2000	2250	
NRB2 65x120C	5.5	4	230/400	7.1	m.c.a. / m.c.w.	18	17.6	17.2	16.6	15.8	15	14	12.5							
NRB2 65x120B	7.5	5.5	400	9.9		21.4	21.1	20.5	20.3	19.8	19.2	18.4	17.5	16.4						
NRB2 65x120A	10	7.5	400	13.7			23.6	23.4	23	22.6	22	21.5	20.7	20	19	17.6				
NRB2 65x160C	15	11	400	19.4			30.8	30	28.5	27.5	26.5	25.5	24.5	22.5	21					
NRB2 65x160B	15	11	400	19.4			33.8	33	32.5	32	31.5	30.5	29.5	28.5	27	25.5	22.5			
NRB2 65x160A	20	15	400	26.1			40.8	40	39.5	39	38.5	38	37.5	36.5	35.5	34.5	32	29		
NRB2 65x200C	25	18.5	400	31.7				51	50.6	50.4	50.2	50.1	49.7	48.6	47.5	46	43	39		
NRB2 65x200B	30	22	400	37.8				57.5	57	56.6	56.5	56.3	56	55.5	54.5	53.5	50.5	47.5	42.5	
NRB2 65x200A	40	30	400	50.7				62	61.7	61.5	61.3	61.1	61	60.5	60	59	57.5	55	50	
NRB2 65x250C	40	30	400	50.7				72	71.5	71	70	68.5	67	65	63.3	61.2	57			
NRB2 65x250B	50	37	400	62.4				82.5	82	81.5	80.5	79.5	78.5	77	75.5	70	70	65.5	59.5	
NRB2 65x250A	60	45	400	75.9				92.5	92	91.5	91	90	89	88	87	86	82	78	72.5	

MEI ≥ 0.1 - Reference MEI ≥ 0.70 - The information on the reference efficiency is available at the address: www.europump.org/efficiencycharts
For efficiency characteristics see www.nocchi.it



OVERALL DIMENSIONS AND WEIGHTS

MOD.	Motor			DNm	DNa	Dimensions mm.											WEIGHTS (Kg)
	Type	Lm	Y			PN16 mm	PN16 mm	a	f	h2	b1	b2	l1	l2	l3	h	
NRB2 65x120A	112 MC2	386	22	65	80	100	360	180	280	210	950	900	25	255	95	100	106
NRB2 65x120B	112 MB2	386	22	65	80	100	360	180	280	210	950	900	25	255	95	100	106
NRB2 65x120C	112 M2	386	22	65	80	100	360	180	280	210	950	900	25	255	95	100	106
NRB2 65x160A	132 MD2	498	24	65	80	100	360	200	280	210	950	900	25	255	95	100	142
NRB2 65x160B	132MC2	498	24	65	80	100	360	200	280	210	950	900	25	255	95	100	134
NRB2 65x160C	132 MB2	498	24	65	80	100	360	200	280	210	950	900	25	255	95	100	129
NRB2 65x200A	200 LA2	775	28	65	80	100	360	225	400	330	1320	1270	25	310	110	100	388
NRB2 65x200B	180 M2	670	28	65	80	100	360	225	400	330	1120	1070	25	290	110	100	310
NRB2 65x200C	160 L2	815	24	65	80	100	360	225	350	280	1120	1070	25	280	100	100	277
NRB2 65x250A	225 M2	775	33	65	80	100	470	250	580	540	1400	1300	50	335	20	100	543
NRB2 65x250B	200 LB2	815	28	65	80	100	470	250	400	330	1320	1270	25	310	110	125	419
NRB2 65x250C	200 LA2	775	28	65	80	100	470	250	400	330	1320	1270	25	310	110	125	399

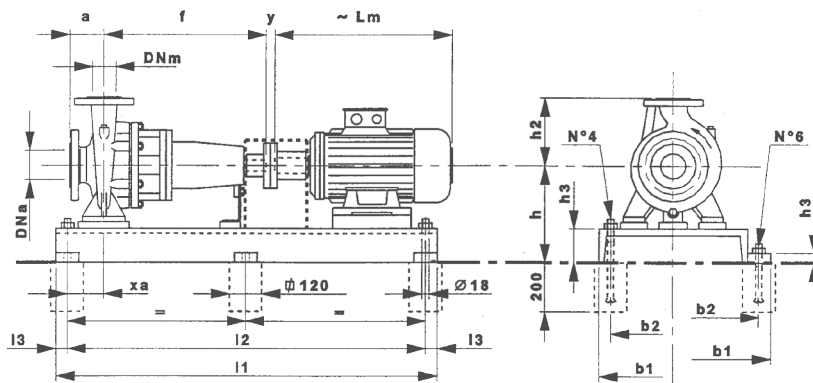
NOCCHI NRB2 80

JOINT BASE NORMALISED CENTRIFUGAL PUMPS (2 AND 4 POLES)

PERFORMANCE TABLE

MOD.	P2		VOLT. (V)	In (A)	Q	Flow Rate															
	HP	kW				L/min	1200	1300	1400	1500	1600	1800	2000	2250	2500	2750	3000	3250	3500	4000	
						m³/h	72	78	84	90	96	108	120	135	150	165	180	195	210	240	
NRB2 80x160C	15	11	400	19.4	m.c.a. / m.c.w.	28.5	28	27.5	27	26.5	26	24.8	22.5	20							
NRB2 80x160B	20	15	400	26.1		33.6	33.5	33.4	33	32.5	32	31	29.5	28	24.5	23					
NRB2 80x160A	25	18.5	400	31.7		38	37.8	37.6	37.2	36.8	36.5	35.5	34.5	33	31.5	29	27				
NRB2 80x200C	30	22	400	37.8		44.6	44.5	44	43.5	43	42	40.5	38.5	36.5	33.5	31					
NRB2 80x200B	40	30	400	50.7		53	52.5	52	51.5	51	50.5	49.5	48	46	44	41.5	38.5				
NRB2 80x200A	50	37	400	62.4		58.5	58	57.5	57	56.5	56	55.5	54	52.5	50.5	48.5	46	43.5			
NRB2 80x250D	50	37	400	62.4					68	67.5	66.5	65	62.5	60	56	51					
NRB2 80x250C	60	45	400	75.9					74.6	74.5	73.5	72.5	70.5	68	65	61.5	57.5	53			
NRB2 80x250B	75	55	400	92					84	83.5	83	82	81	78.5	76	73.5	70	66			
NRB2 80x250A	100	75	400	127					90.5	90	89.5	89	87.5	86	84	81.5	78.5	75	66		

MEI ≥ 0.1 - Reference MEI ≥ 0.70 - The information on the reference efficiency is available at the address: www.europump.org/efficiencycharts
For efficiency characteristics see www.nocchi.it



OVERALL DIMENSIONS AND WEIGHTS

MOD.	Motor			DNm	DNa	Dimensions mm.											WEIGHTS (Kg)
	Type	Lm	Y			PN16 mm	PN16 mm	a	f	h2	b1	b2	l1	l2	l3	h	
NRB2 80x160A	160 L2	645	24	80	100	125	360	350	280	210	1120	1070	25	280	100	100	278
NRB2 80x160B	132 MD2	498	24	80	100	125	360	350	280	210	950	900	25	280	100	100	180
NRB2 80x160C	132 MC2	498	24	80	100	125	360	350	280	210	950	900	25	280	100	100	172
NRB2 80x200A	200 LB2	775	28	80	100	125	470	400	330	210	1320	1270	25	310	110	100	424
NRB2 80x200B	200 LA2	775	28	80	100	125	470	400	330	210	1320	1270	25	310	110	100	404
NRB2 80x200C	180 M2	670	28	80	100	125	470	400	330	210	1320	1270	25	290	110	100	341
NRB2 80x250A	280 S2	1000	33	80	100	125	470	660	620	330	1600	1500	50	415	20	100	833
NRB2 80x250B	250 L2	930	33	80	100	125	470	660	620	330	1600	1500	50	390	20	100	683
NRB2 80x250C	225 M2	815	33	80	100	125	470	580	54	280	1400	1300	50	335	20	100	553
NRB2 80x250D	200 LB2	775	28	80	100	125	470	330	330	540	1320	1320	25	310	110	125	5429

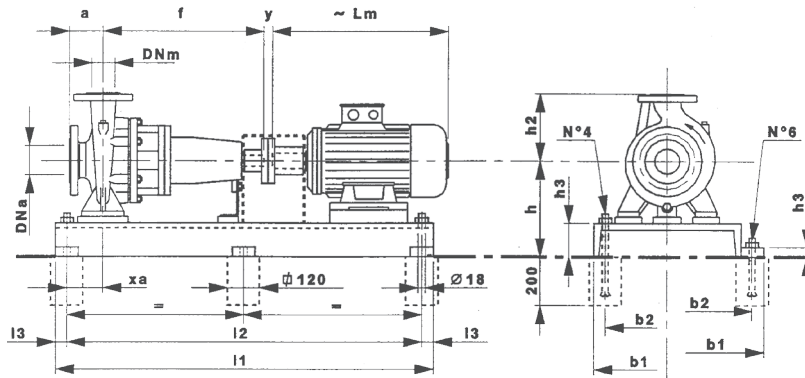
NOCCHI NRB2 100

JOINT BASE NORMALISED CENTRIFUGAL PUMPS (2 AND 4 POLES)

PERFORMANCE TABLE

MOD.	P2		VOLT. (V)	In (A)	Q	I/min	2000	2250	2500	2750	3000	3250	3500	4000	4500	5000	5500	
	HP	kW				m ³ /h	120	135	150	165	180	195	210	240	270	300	330	
NRB2 100x200D	30	22	400	37.8	m.c.a. / m.c.w.	37.5	36.5	35	33.5	31.5	29	27	20.5					
NRB2 100x200C	40	30	400	50.7		45	44.5	43.5	42.5	41	39.5	37.5	33	27				
NRB2 100x200B	50	37	400	62.4		50.5	50	49.5	48.5	47.5	46.5	45	41.5	36.5	31			
NRB2 100x200A	60	45	400	75.9		55.5	55	54.5	54	53	52	51	48	43.5	38			
NRB2 100x250D	60	45	400	75.9		66.5	66	65	63.5	61.5	58.5	56	49.5					
NRB2 100x250C	75	55	400	92		73	72.5	72	71	69.5	68	66	61	53.5				
NRB2 100x250B	100	75	400	127		83	82.8	82.5	82	81	79.5	78	74	70	63	55		
NRB2 100x250A	125	90	400	152		89.5	89.3	89	88.2	87.5	86.5	85.5	82.5	78	73	65		

MEI ≥ 0.1 - Reference MEI ≥ 0.70 - The information on the reference efficiency is available at the address: www.europump.org/efficiencycharts
For efficiency characteristics see www.nocchi.it



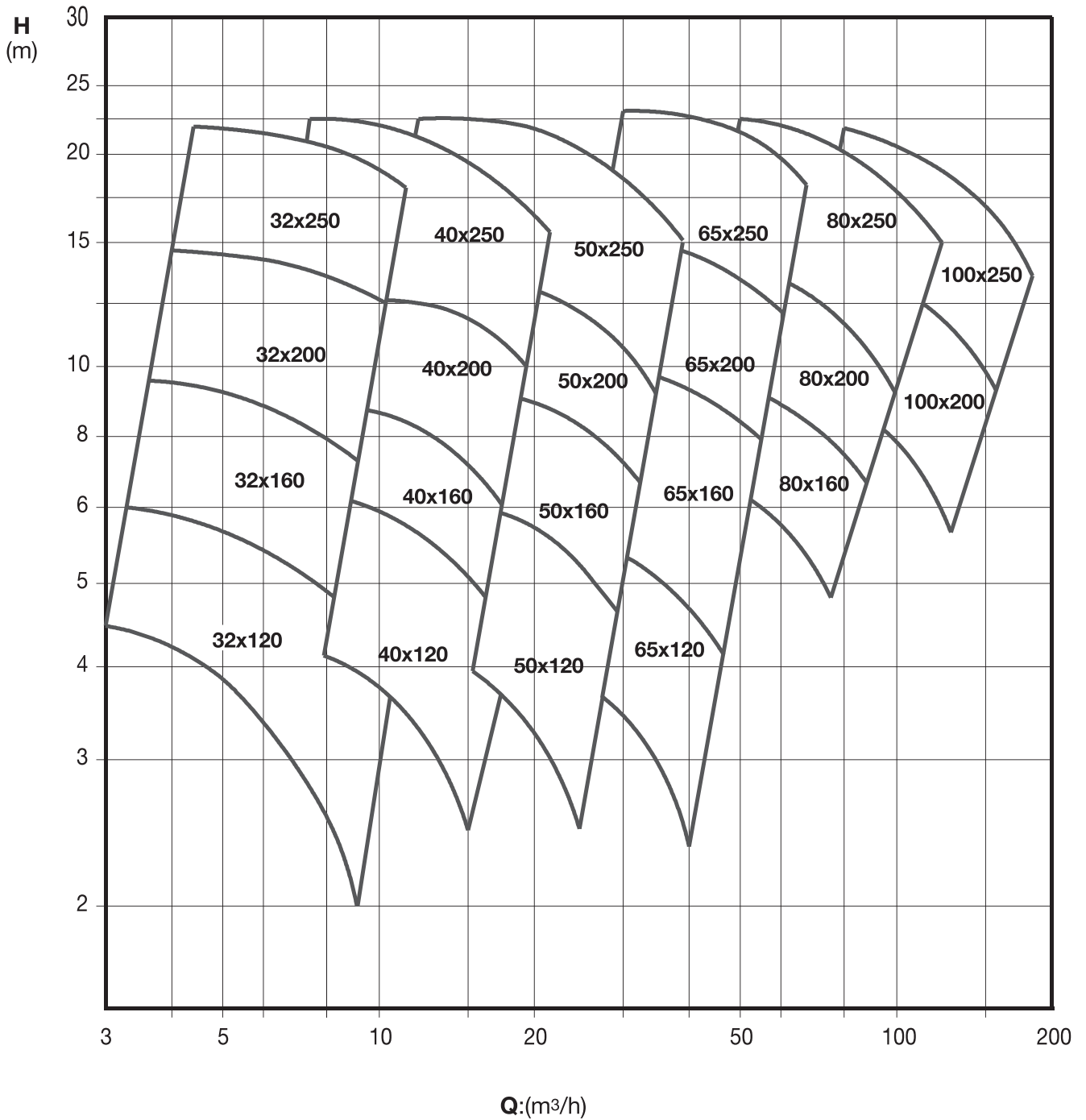
OVERALL DIMENSIONS AND WEIGHTS

MOD.	Motor			DNm	DNa	Dimensions mm.											WEIGHTS (Kg)
	Type	Lm	Y			PN16 mm	PN16 mm	a	f	h2	b1	b2	l1	l2	l3	h	
NRB2 100x200A	225 M2	815	33	100	125	125	470	280	580	540	1400	1300	50	355	20	100	550
NRB2 100x200B	200 LB2	775	28	100	125	125	470	280	400	330	1320	1270	25	310	110	125	426
NRB2 100x200C	200 LA2	775	28	100	125	125	470	280	400	330	1320	1270	25	310	110	125	406
NRB2 100x200D	180 M2	670	28	100	125	125	470	280	400	330	1320	1270	25	310	110	125	365
NRB2 100x250A	280 M2	1050	33	100	125	140	470	280	660	620	1600	1500	50	415	20	100	883
NRB2 100x250B	280 S2	1000	33	100	125	140	470	280	660	620	1600	1500	50	415	20	100	837
NRB2 100x250C	250 M2	930	33	100	125	140	470	280	660	620	1600	1500	50	390	20	100	695
NRB2 100x250D	225 M2	815	33	100	125	140	470	280	580	540	1400	1300	50	355	20	100	557

NOCCHI NRB4

JOINT BASE NORMALISED CENTRIFUGAL PUMPS (2 AND 4 POLES)

HYDRAULIC PERFORMANCE



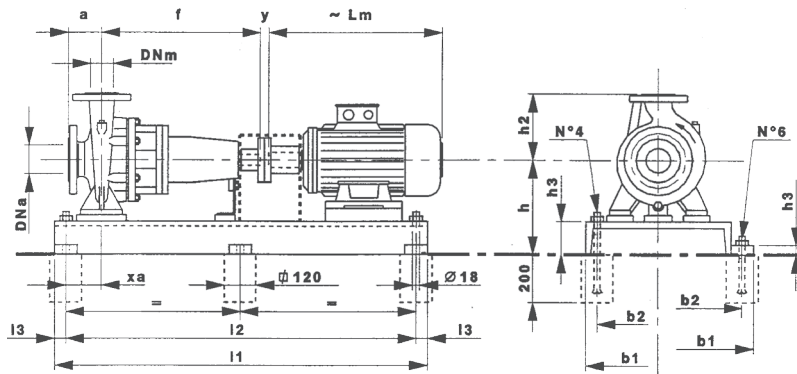
NOCCHI NRB4 32

JOINT BASE NORMALISED CENTRIFUGAL PUMPS (2 AND 4 POLES)

PERFORMANCE TABLE

MOD.	P2		VOLT. (V)	In (A)	Q	L/min	50	75	100	125	150	175	200	225	250	
	HP	kW				m ³ /h	3	4.5	6	7.5	9	11	12	14	15	
NRB4 32x120C	0.33	0.25	230/400	0.9	m.c.a. / m.c.w.	4.5	4.3	3.8	3	2.1						
NRB4 32x120B	0.33	0.25	230/400	0.9		5.4	5.2	4.8	4.2	3.4	2.5					
NRB4 32x120A	0.33	0.25	230/400	0.9		6.2	6	5.8	5.3	4.6	3.8	2.9				
NRB4 32x160C	0.33	0.25	230/400	0.9		7.8	7.6	7.2	6.5	5.6	4.6					
NRB4 32x160B	0.5	0.37	230/400	1.2		8.6	7.9	8	7.5	6.7	5.7	4.6				
NRB4 32x160A	0.5	0.37	230/400	1.2		9.4	9.2	8.9	8.4	7.7	6.8	5.8				
NRB4 32x200C	0.75	0.55	230/400	1.2			11.2	10.8	10.2	9.5	8.6	7.5	6.5			
NRB4 32x200B	1	0.75	230/400	1.7			13.2	13	12.5	11.8	11.1	10.3	9.2	8.2		
NRB4 32x200A	1.5	1.1	230/400	2.5			14.5	14.2	13.8	13.3	12.6	11.8	10.9	10		

MEI ≥ 0.1 - Reference MEI ≥ 0.70 - The information on the reference efficiency is available at the address: www.europump.org/efficiencycharts
For efficiency characteristics see www.nocchi.it



OVERALL DIMENSIONS AND WEIGHTS

MOD.	Motor			DNm	DNa	Dimensions mm.											WEIGHTS (Kg)
	Type	Lm	Y	PN16 mm	PN16 mm	a	f	h2	b1	b2	l1	l2	l3	h	h3	xa	
NRB4 32x120A	71 A4	244	16	32	50	80	360	140	240	170	850	800	25	197	85	100	59
NRB4 32x120B	71 A4	244	16	32	50	80	360	140	240	170	850	800	25	197	85	100	59
NRB4 32x120C	71 A4	244	16	32	50	80	360	140	240	170	850	800	25	197	85	100	59
NRB4 32x160A	71 B4	244	16	32	50	80	360	160	240	170	850	800	25	217	85	100	66
NRB4 32x160B	71 B4	244	16	32	50	80	360	160	240	170	850	800	25	217	85	100	66
NRB4 32x160C	71 B4	244	16	32	50	80	360	160	240	170	850	800	25	217	85	100	66
NRB4 32x200A	90 S4	302	16	32	50	80	360	180	240	170	850	800	25	245	85	100	77
NRB4 32x200B	80 B4	280	16	32	50	80	360	180	240	170	850	800	25	245	85	100	75
NRB4 32x200C	80 A4	280	16	32	50	80	360	180	240	170	850	800	25	245	85	100	73

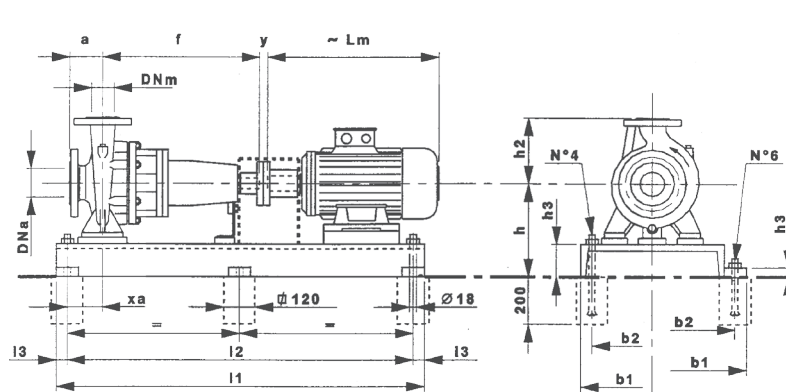
NOCCHI NRB4 40

JOINT BASE NORMALISED CENTRIFUGAL PUMPS (2 AND 4 POLES)

PERFORMANCE TABLE

MOD.	P2		VOLT. (V)	In (A)	Q	L/min	100	125	150	175	200	225	250	275	300	350	400	450
	HP	kW				m³/h	6	7.5	9	10.5	12	13.5	15	16.5	18	21	24	27
						m.c.a. / m.c.w.												
NRB4 40x120C	0.33	0.25	230/400	0.9	m.c.a. / m.c.w.	4.6	4.5	4.3	4	3.7	3.3	2.5						
NRB4 40x120B	0.5	0.37	230/400	1.2		5.4	5.3	5.2	5	4.8	4.5	4.1	3.5					
NRB4 40x120A	0.5	0.37	230/400	1.2		6.3	6.2	6.1	6	5.8	5.5	5.2	4.9	4.4				
NRB4 40x160C	0.5	0.37	230/400	1.2		7.3	7	6.7	6.4	6	5.5	4.9	4.3					
NRB4 40x160B	0.75	0.55	230/400	1.2		8	7.8	7.5	7.2	6.8	6.4	5.9	5.3	4.7				
NRB4 40x160A	0.75	0.55	230/400	1.2		8.8	8.6	8.4	8.1	7.7	7.3	6.8	6.3	5.8				
NRB4 40x200C	1	0.75	230/400	1.7			11	10.5	10	9.4	8.5	7.6	6.6	5.4				
NRB4 40x200B	1.5	1.1	230/400	2.5			12.8	12.5	12.1	11.6	11	10.2	9.3	8.4	6.2			
NRB4 40x200A	1.5	1.1	230/400	2.5			14	13.8	13.5	13	12.4	11.8	11	10.2	8.3			
NRB4 40x250C	2	1.5	230/400	3.2			17.2	17	16.6	16	15.3	14.5	14	13	10.6			
NRB4 40x250B	3	2.2	230/400	4.6			19.7	19.5	19.2	18.6	18	17.5	16.8	16	14	11.5		
NRB4 40x250A	3	2.2	230/400	4.6			22.3	22	21.7	21.4	21	20.3	19.6	19	17.5	15.5	13	

MEI ≥ 0.1 - Reference MEI ≥ 0.70 - The information on the reference efficiency is available at the address: www.europump.org/efficiencycharts
 For efficiency characteristics see www.nocchi.it



OVERALL DIMENSIONS AND WEIGHTS

MOD.	Motor			DNm	DNa	Dimensions mm.											WEIGHTS (Kg)
	Type	Lm	Y			PN16 mm	PN16 mm	a	f	h2	b1	b2	l1	l2	l3	h	
NRB4 40x120A	71 B4	244	16	40	65	80	360	140	240	170	850	800	25	197	85	100	62
NRB4 40x120B	71 B4	244	16	40	65	80	360	140	240	170	850	800	25	197	85	100	62
NRB4 40x120C	71 A4	244	16	40	65	80	360	140	240	170	850	800	25	197	85	100	61
NRB4 40x160A	80 A4	280	16	40	65	80	360	160	240	170	850	800	25	217	85	100	69
NRB4 40x160B	80 A4	280	16	40	65	80	360	160	240	170	850	800	25	217	85	100	69
NRB4 40x160C	71 B4	244	16	40	65	80	360	160	240	170	850	800	25	217	85	100	67
NRB4 40x200CA	90 S4	302	16	40	65	100	360	180	280	210	950	900	25	255	95	100	91
NRB4 40x200B	90 S4	302	16	40	65	100	360	180	280	210	950	900	25	255	95	100	91
NRB4 40x200C	80 B4	280	16	40	65	100	360	180	280	210	950	900	25	255	95	100	89
NRB4 40x250A	100 LA4	369	22	40	65	100	360	225	350	280	950	900	25	280	100	100	131
NRB4 40x250B	100 LA4	369	22	40	65	100	360	225	350	280	950	900	25	280	100	100	131
NRB4 40x250C	90 L4	327	16	40	65	100	360	225	350	280	950	900	25	280	100	100	124

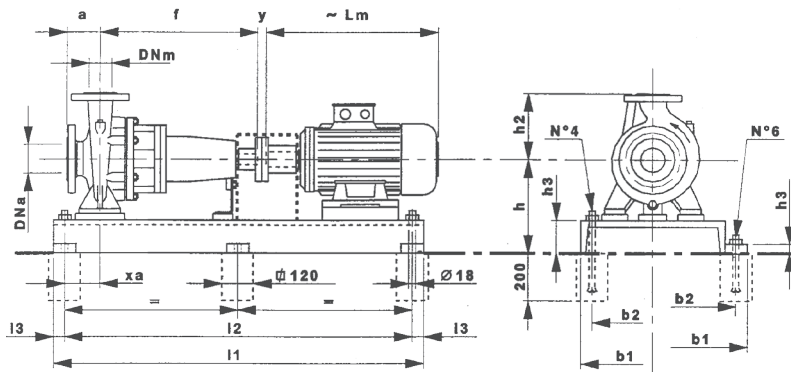
NOCCHI NRB4 50

JOINT BASE NORMALISED CENTRIFUGAL PUMPS (2 AND 4 POLES)

PERFORMANCE TABLE

MOD.	P2		VOLT. (V)	In (A)	Q	Flow rate													
	HP	kW				l/min													
						150	200	250	300	350	400	450	500	550	600	700			
						m ³ /h	9	12	15	18	21	24	27	30	33	36	42		
NRB4 50x120C	0.33	0.25	230/400	0.9	m.c.a. / m.c.w.	4.4	4.2	4	3.6	3.2	2.6								
NRB4 50x120B	0.5	0.37	230/400	1.2		5.3	5.1	4.9	4.7	4.4	4	3.5							
NRB4 50x120A	0.75	0.55	230/400	1.2		6.3	6.1	5.9	5.7	5.5	5.2	4.8							
NRB4 50x160C	0.75	0.55	230/400	1.2			6.8	6.6	6.3	5.9	5.3	4.4							
NRB4 50x160B	1	0.75	230/400	1.7			8	7.8	7.6	7.4	7	6.4	5.6						
NRB4 50x160A	1.5	1.1	230/400	2.5			9	8.8	8.6	8.4	8.2	7.7	7.1	6.4					
NRB4 50x200C	1.5	1.1	230/400	2.5			11.6	11.2	10.5	9.6	8.6	7.4	6.2						
NRB4 50x200B	1.5	1.1	230/400	2.5			13	12.6	12.2	11.3	10.4	9.4	8.2						
NRB4 50x200A	2	1.5	230/400	3.2			14.3	14.1	13.7	13.1	12.3	11.4	10.2	9	7.8				
NRB4 50x250D	3	2.2	230/400	4.6			16.8	16.4	15.8	15.1	14.2	13.2	11.9	10.5					
NRB4 50x250C	3	2.2	230/400	4.6			18.4	18	17.6	17	16.2	15.2	14.2	12.8	11.5				
NRB4 50x250B	4	3	230/400	6.1			21	20.6	20.2	19.7	19.1	18.3	17.4	16.4	15.2				
NRB4 50x250A	4	3	230/400	6.1			22.5	22.3	22	21.5	20.9	20.2	19.4	18.5	17.4	14.7			

MEI ≥ 0.1 - Reference MEI ≥ 0.70 - The information on the reference efficiency is available at the address: www.europump.org/efficiencycharts
For efficiency characteristics see www.nocchi.it



OVERALL DIMENSIONS AND WEIGHTS

MOD.	Motor			DNm	DNa	Dimensions mm.											WEIGHTS (Kg)
	Type	Lm	Y			PN16 mm	PN16 mm	a	f	h2	b1	b2	l1	l2	l3	h	
NRB4 50x120A	80 A4	280	16	50	65	100	360	160	240	170	850	800	25	217	85	100	68
NRB4 50x120B	71 B4	244	16	50	65	100	360	160	240	170	850	800	25	217	85	100	66
NRB4 50x120AC	71 A4	244	16	50	65	100	360	160	240	170	850	800	25	217	85	100	65
NRB4 50x160A	90 S4	302	16	50	65	100	360	180	280	210	950	900	25	255	95	100	87
NRB4 50x160B	80 B4	280	16	50	65	100	360	180	280	210	950	900	25	255	95	100	85
NRB4 50x160C	80 A4	280	16	50	65	100	360	180	280	210	950	900	25	255	95	100	83
NRB4 50x200A	90 L4	327	16	50	65	100	360	200	280	210	950	900	25	255	95	100	93
NRB4 50x200B	90 S4	302	16	50	65	100	360	200	280	210	950	900	25	255	95	100	92
NRB4 50x200C	90 S4	302	16	50	65	100	360	200	280	210	950	900	25	255	95	100	92
NRB4 50x250A	100 LB4	369	22	50	65	100	360	225	350	280	950	900	25	280	100	100	135
NRB4 50x250B	100 LB4	369	22	50	65	100	360	225	350	280	950	900	25	280	100	100	135
NRB4 50x250C	100 LA4	369	22	50	65	100	360	225	350	280	950	900	25	280	100	100	132
NRB4 50x250D	100 LA4	369	22	50	65	100	360	225	350	280	950	900	25	280	100	100	132

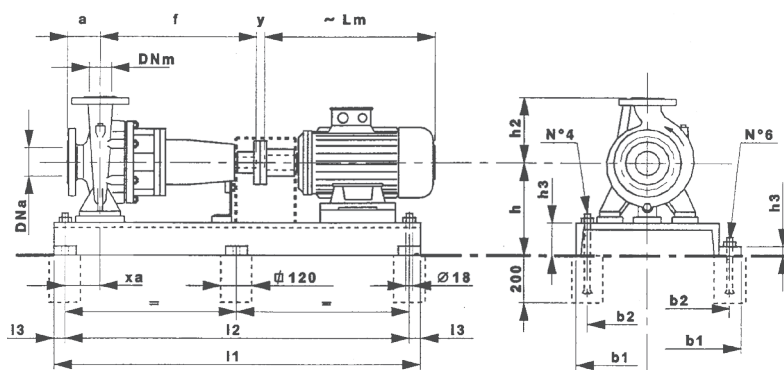
NOCCHI NRB4 65

JOINT BASE NORMALISED CENTRIFUGAL PUMPS (2 AND 4 POLES)

PERFORMANCE TABLE

MOD.	P2		VOLT. (V)	In (A)	Q																			
	HP	kW				l/min																		
						250	300	350	400	450	500	550	600	700	800	900	1000	1100	1200	1400				
						m ³ /h	15	18	21	24	27	30	33	36	42	48	54	60	66	72	84			
NRB4 65x120C	0.75	0.55	230/400	1.2	m.c.a. / m.c.w.	4.2	4	3.9	3.8	3.7	3.5	3.3	3											
NRB4 65x120B	0.75	0.55	230/400	1.2		5	4.8	4.7	4.6	4.5	4.4	4.3	4.2	3.7										
NRB4 65x120A	1	0.75	230/400	1.7			5.6	5.5	5.4	5.3	5.2	5.1	4.9	4.5	4									
NRB4 65x160C	1.5	1.1	230/400	2.5			7.7	7.6	7.5	7.3	7.1	6.8	6.5	5.7	4.7									
NRB4 65x160B	1.5	1.1	230/400	2.5			8.5	8.4	8.3	8.2	8	7.8	7.6	6.9	5.9	4.9								
NRB4 65x160A	2	1.5	230/400	3.2			10.2	10.1	10	9.9	9.8	9.6	9.4	9	8.4	7.5	6.5							
NRB4 65x200C	3	2.2	230/400	4.6					12.3	12.2	12.1	12	11.9	11.5	10.8	10	9							
NRB4 65x200B	4	3	230/400	6.1					15	14.9	13.5	13.4	13.3	13.1	12.6	11.9	11	10						
NRB4 65x200A	4	3	230/400	6.1					13.7	13.6	14.8	14.7	14.6	14.4	14.1	13.5	12.8	12	11					
NRB4 65x250C	4	3	230/400	6.1							17.2	17	16.6	15.7	14.6	13.2	1.6							
NRB4 65x250B	5.5	4	230/400	7.7							20	19.7	19.4	18.8	18	16.8	15.6	14.3	12.5					
NRB4 65x250A	7.5	5.5	400	10.9							23	22.8	22.6	22.1	21.5	20.7	19.7	18.6	17.4	14				

MEI ≥ 0.1 - Reference MEI ≥ 0.70 - The information on the reference efficiency is available at the address: www.europump.org/efficiencycharts
 For efficiency characteristics see www.nocchi.it



OVERALL DIMENSIONS AND WEIGHTS

MOD.	Motor			DNm	DNa	Dimensions mm.											WEIGHTS (Kg)
	Type	Lm	Y			PN16 mm	PN16 mm	a	f	h2	b1	b2	l1	l2	l3	h	
NRB4 65x120A	80 B4	280	16	65	80	100	360	180	280	210	950	900	25	255	85	100	86
NRB4 65x120B	80 A4	280	16	65	80	100	360	180	280	210	950	900	25	255	85	100	84
NRB4 65x120C	80 A4	280	16	65	80	100	360	180	280	210	950	900	25	255	85	100	84
NRB4 65x160A	90 L4	327	16	65	80	100	360	200	280	210	950	900	25	255	85	100	93
NRB4 65x160B	90 S4	302	16	65	80	100	360	200	280	210	950	900	25	255	85	100	92
NRB4 65x160C	90 S4	302	16	65	80	100	360	200	280	210	950	900	25	255	85	100	92
NRB4 65x200A	100 LB4	369	22	65	80	100	360	225	350	280	950	900	25	280	95	100	129
NRB4 65x200B	100 LB4	369	22	65	80	100	360	225	350	280	950	900	25	280	95	100	129
NRB4 65x200C	100 LA4	369	22	65	80	100	360	225	350	280	950	900	25	280	95	100	126
NRB4 65x250A	112 MC4	386	22	65	80	100	470	225	400	330	1120	1070	25	310	100	125	181
NRB4 65x250B	112 M4	386	22	65	80	100	470	250	400	330	1120	1070	25	310	100	125	181
NRB4 65x250C	100 LB4	369	22	65	80	100	470	250	400	330	1120	1070	25	310	100	125	172

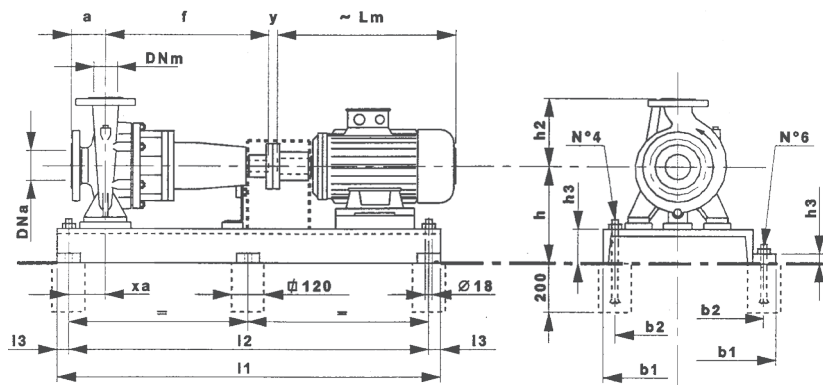
NOCCHI NRB4 80

JOINT BASE NORMALISED CENTRIFUGAL PUMPS (2 AND 4 POLES)

PERFORMANCE TABLE

MOD.	P2		VOLT. (V)	In (A)	Q	m.c.a. / m.c.w.														
	HP	kW				l/min														
						600	700	800	900	1000	1100	1200	1300	1400	1500	1600	1800	2000	2250	
						m³/h														
						36	42	48	54	60	66	72	78	84	90	96	108	120	135	
NRB4 80x160C	2	1.5	230/400	3.2	m.c.a. / m.c.w.	7.1	6.9	6.6	6.3	6	5.7	5.2	4.8							
NRB4 80x160B	3	2.2	230/400	4.6		8.5	8.3	8.1	7.9	7.6	7.3	6.9	6.5	6.1	5.6					
NRB4 80x160A	3	2.2	230/400	4.6		9.6	9.4	9.2	9	8.8	8.5	8.2	7.9	7.5	7.1	6.6				
NRB4 80x200C	3	2.2	230/400	4.6			10.4	10	9.8	9.6	9	8.6	8	7.2	6.5					
NRB4 80x200B	4	3	230/400	6.1			12.5	12.3	12.1	11.8	11.4	11	10.6	10	9.4	8.8	7.2			
NRB4 80x200A	5.5	4	230/400	7.7			14.2	14	13.8	13.5	13.1	12.7	12.2	11.7	11.2	10.6	9.2	7.6		
NRB4 80x250D	7.5	5.5	400	10.9			16.3	16	15.7	15.4	14.9	14.4	13.7	13	12.3	11.5				
NRB4 80x250C	7.5	5.5	400	10.9			17.9	17.7	17.4	17	16.7	16.2	15.7	15	14.4	13.7	11.9			
NRB4 80x250B	10	7.5	400	14.5			20.5	20.3	20	19.7	19.4	19	18.6	18.1	17.6	17	15.6	13.9		
NRB4 80x250A	10	7.5	400	14.5			22.2	22	21.7	21.5	21.1	20.8	20.4	20	19.5	19	17.6	16.2	14	

MEI ≥ 0.1 - Reference MEI ≥ 0.70 - The information on the reference efficiency is available at the address: www.europump.org/efficiencycharts
For efficiency characteristics see www.nocchi.it



OVERALL DIMENSIONS AND WEIGHTS

MOD.	Motor			DNm	DNa	Dimensions mm.											WEIGHTS (Kg)
	Type	Lm	Y			PN16 mm	PN16 mm	a	f	h2	b1	b2	l1	l2	l3	h	
NRB4 80x160A	100 LA4	369	22	80	100	125	360	225	350	280	950	900	25	280	100	100	127
NRB4 80x160B	100 LA4	369	22	80	100	125	360	225	350	280	950	900	25	280	100	100	127
NRB4 80x160C	90 L4	327	16	80	100	125	360	225	350	280	950	900	25	280	100	100	120
NRB4 80x200A	112 M4	386	22	80	100	125	470	250	350	280	1120	1070	25	280	100	100	166
NRB4 80x200B	112 M4	386	22	80	100	125	470	250	350	280	1120	1070	25	280	100	100	166
NRB4 80x200C	100 LB4	369	22	80	100	125	470	250	350	280	1120	1070	25	280	100	100	156
NRB4 80x250A	132 MA4	498	24	80	100	125	470	280	400	330	1120	1070	25	310	110	125	213
NRB4 80x250B	132 MA4	498	24	80	100	125	470	280	400	330	1120	1070	25	310	110	125	213
NRB4 80x250C	112 MC4	386	22	80	100	125	470	280	400	330	1120	1070	25	310	110	125	191
NRB4 80x250D	112 MC4	386	22	80	100	125	470	280	400	330	1120	1070	25	310	110	125	191

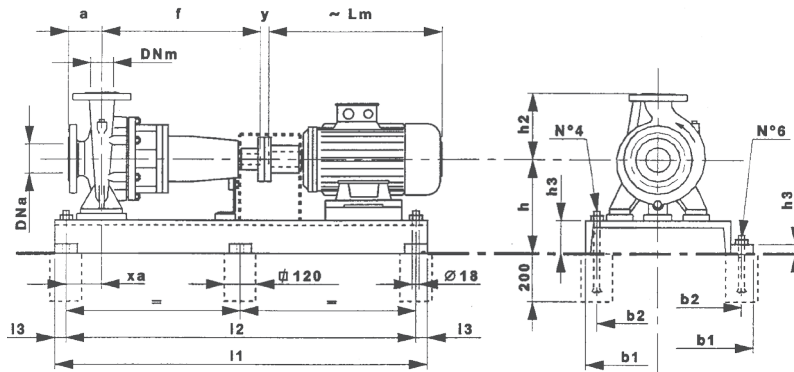
NOCCHI NRB4 100

JOINT BASE NORMALISED CENTRIFUGAL PUMPS (2 AND 4 POLES)

PERFORMANCE TABLE

MOD.	P2		VOLT. (V)	In (A)	Q	L/min m ³ /h	900	1000	1100	1200	1300	1400	1500	1600	1800	2000	2250	2500	2750	3000
	HP	kW					54	60	66	72	78	84	90	96	108	120	135	150	165	180
NRB4 100x200D	4	3	230/400	6.1	m.c.a. / m.c.w.	9.8	9.6	9.4	9.1	8.8	8.5	8.1	7.7	6.9	6					
NRB4 100x200C	5.5	4	230/400	7.7		11.8	11.6	11.4	11.2	11	10.8	10.5	10.2	9.4	8.6	7.5				
NRB4 100x200B	7.5	5.5	400	10.9		13.2	13.1	12.9	12.7	12.5	12.3	12	11.7	11.1	10.3	9.3	8.2			
NRB4 100x200A	7.5	5.5	400	10.9		14.4	14.3	14.2	14	13.8	13.6	13.4	13.2	12.6	12	11	9.8	8.5		
NRB4 100x250D	7.5	5.5	400	10.9			16.4	16.2	15.9	15.6	15.3	14.9	14.4	13.2	11.9	9.8				
NRB4 100x250C	10	7.5	400	14.5			18	17.8	17.6	17.4	17.1	16.8	16.4	15.3	14.2	12.4	10.4			
NRB4 100x250B	15	11	400	20.7			20.4	20.3	20.2	20	19.8	19.6	19.3	18.6	17.7	16.2	14.5	12.4		
NRB4 100x250A	15	11	400	20.7			22	21.9	21.8	21.7	21.6	21.4	21.1	20.4	19.7	18.5	17	15	12.8	

MEI ≥ 0.1 - Reference MEI ≥ 0.70 - The information on the reference efficiency is available at the address: www.europump.org/efficiencycharts
For efficiency characteristics see www.nocchi.it



OVERALL DIMENSIONS AND WEIGHTS

MOD.	Motor			DNm	DNa	Dimensions mm.											WEIGHTS (Kg)
	Type	Lm	Y			PN16 mm	PN16 mm	a	f	h2	b1	b2	l1	l2	l3	h	
NRB4 100x200A	112 MC4	386	22	100	125	125	470	280	400	330	1120	1070	25	310	110	125	188
NRB4 100x200B	112 MC4	386	22	100	125	125	470	280	400	330	1120	1070	25	310	110	125	188
NRB4 100x200C	112 M4	386	22	100	125	125	470	280	400	330	1120	1070	25	310	110	125	188
NRB4 100x200D	100 LB4	369	22	100	125	125	470	280	400	330	1120	1070	25	310	110	125	179
NRB4 100x250A	132 MB4	498	24	100	125	140	470	280	400	330	1120	1070	25	355	110	125	227
NRB4 100x250B	132 MB4	498	24	100	125	140	470	280	400	330	1120	1070	25	355	110	125	227
NRB4 100x250C	132 MA4	498	24	100	125	140	470	280	400	330	1120	1070	25	355	110	125	225
NRB4 100x250D	112 MC4	386	22	100	125	140	470	280	400	330	1120	1070	25	355	110	125	203