



High-flow self-priming pool pump available at 4 poles up to 10 HP ideal for quiet operation and larger filtration. Cataphoresis painting, screws in AISI316 and pump body in polypropylene with glass fiber give a remarkable resistance to corrosion. In addition, a large support base make the whole system particularly robust.



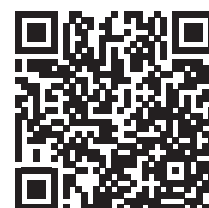
Bronze impeller (on request)

Construction features

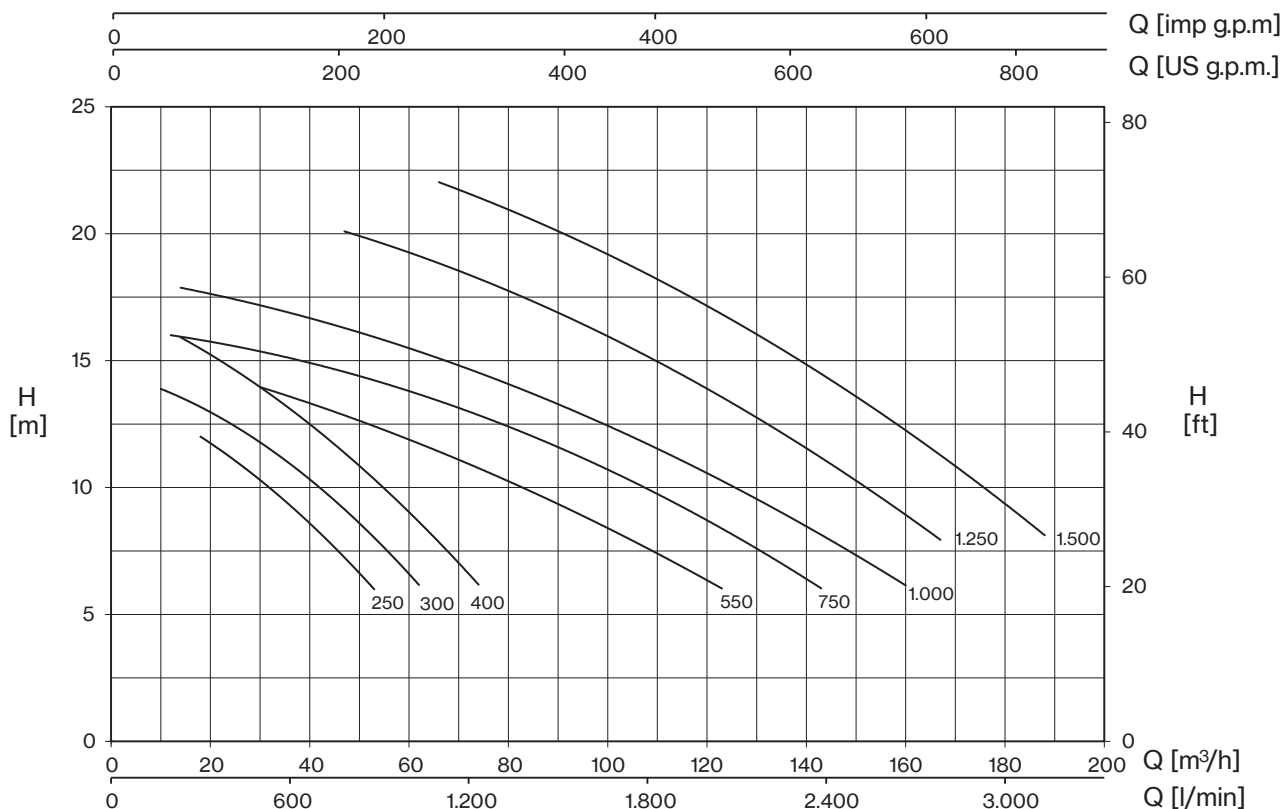
Painting	cataphoresis
Pump body, seal housing, diffuser	polypropylene + fiber glass
Motor bracket	aluminum
Impeller	Noryl®, marine bronze on request
Mechanical seal	ceramic-graphite-AISI 316
Motor shaft	stainless steel AISI 316
Liquid temperature	max 40 °C
Pre-filter cover	polycarbonate
Support base	Noryl®

Motor

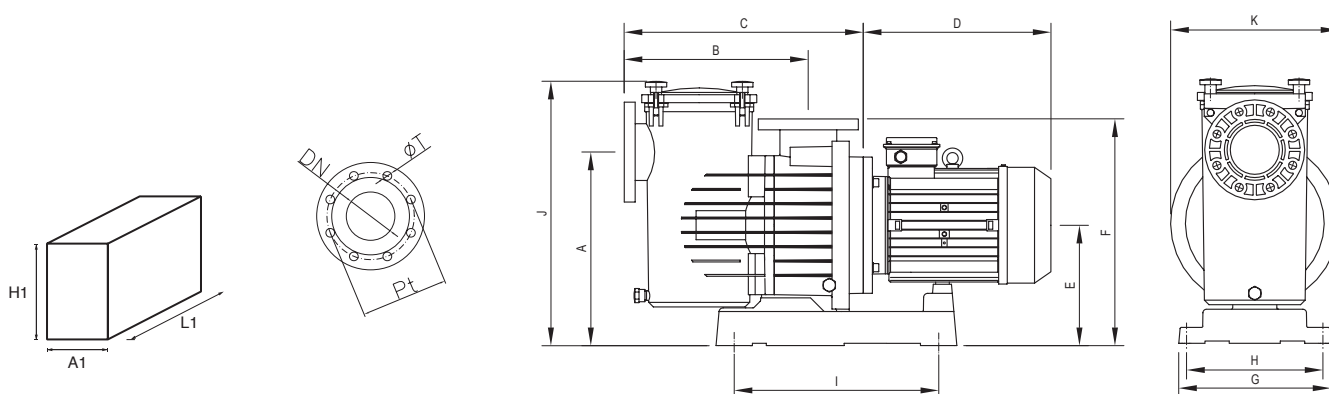
2 Poles induction motor	3~ 230V/400V-50Hz 3~ 400V/690V-50Hz
Insulation class	F
Protection degree	IP55



POOL4



TYPE	P2		AMPERE		rpm	H (m)										DNA	DNM	Minimum size of suction pipe
			3~	3~		Q (m³/h)												
	HP	kW	230 V	400V		6	8	10	12	14	16	18	20	22				
POOL4 4-250	2,5	1,8	8,5	4,9	1450	53	43	32	18									110
POOL4 4-300	3	2,2	9,4	5,3	1450	62	54	43	26	10								125
POOL4 4-400	4	3	12,5	6,9	1450	74	66	56	42	29	14							140
POOL4 4-550	5,5	4	15,3	8,8	1450	123	104	84	57	30								160
POOL4 4-750	7,5	5,5		12	1450	143	127	107	85	57	12							180
POOL4 4-1000	10	7,5		15,8	1450	160	145	126	107	80	48	14						180
POOL4 2-1250	12,5	9,2		18,5	2850		167	152	136	118	99	80	47					180
POOL4 2-1500	15	11		20,9	2850		188	177	162	146	130	112	92	66				200



TYPE	DIMENSIONS (mm)																	Kg
	A	B	C	D	E	F	G	H	I	J	K	DN	øT	Pt	A1	H1	L1	
POOL4 4-250	420	405	530	310	265	495	335	300	450	590	370				385	595	840	42
POOL4 4-300	420	405	530	310	265	495	335	300	450	590	370				385	595	840	42,5
POOL4 4-400	420	405	530	310	265	495	335	300	450	590	370				385	595	840	44,5
POOL4 4-550	420	405	530	335	265	495	335	300	450	590	370	110	16	180	385	715	1170	53,4
POOL4 4-750	420	405	508	380	265	495	335	300	450	590	370				385	715	1170	66
POOL4 4-1000	420	405	508	380	265	495	335	300	450	590	370				385	715	1170	76
POOL4 2-1250	420	405	508	380	265	495	335	300	450	590	370				385	715	1170	84,5
POOL4 2-1500	420	405	508	380	265	495	335	300	450	590	370				385	715	1170	85,5