

Pentair Water Italy S.r.l.
 Via Masaccio, 13
 56010 Lugnano (PI)
 ITALY

Drawn A. Bertola
 Approved M. Bernacca

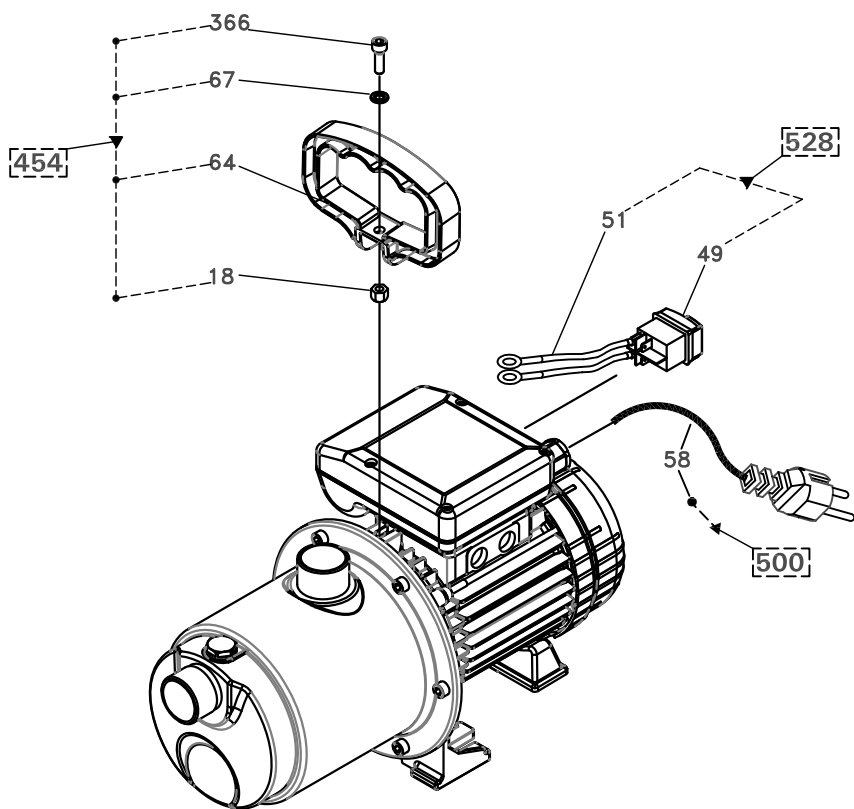
Title Multi EVO-A 3 - 5 m³/h;
 Multi EVO-A C 3 - 5 m³/h
 Date (dd/mm/yy) 10/10/2014
 Dwg #

Sheet 1 of 2

DR140006_01

B

B



A

A



Pentair Water Italy S.r.l.
 Via Masaccio, 13
 56010 Lugnano (PI)
 ITALY

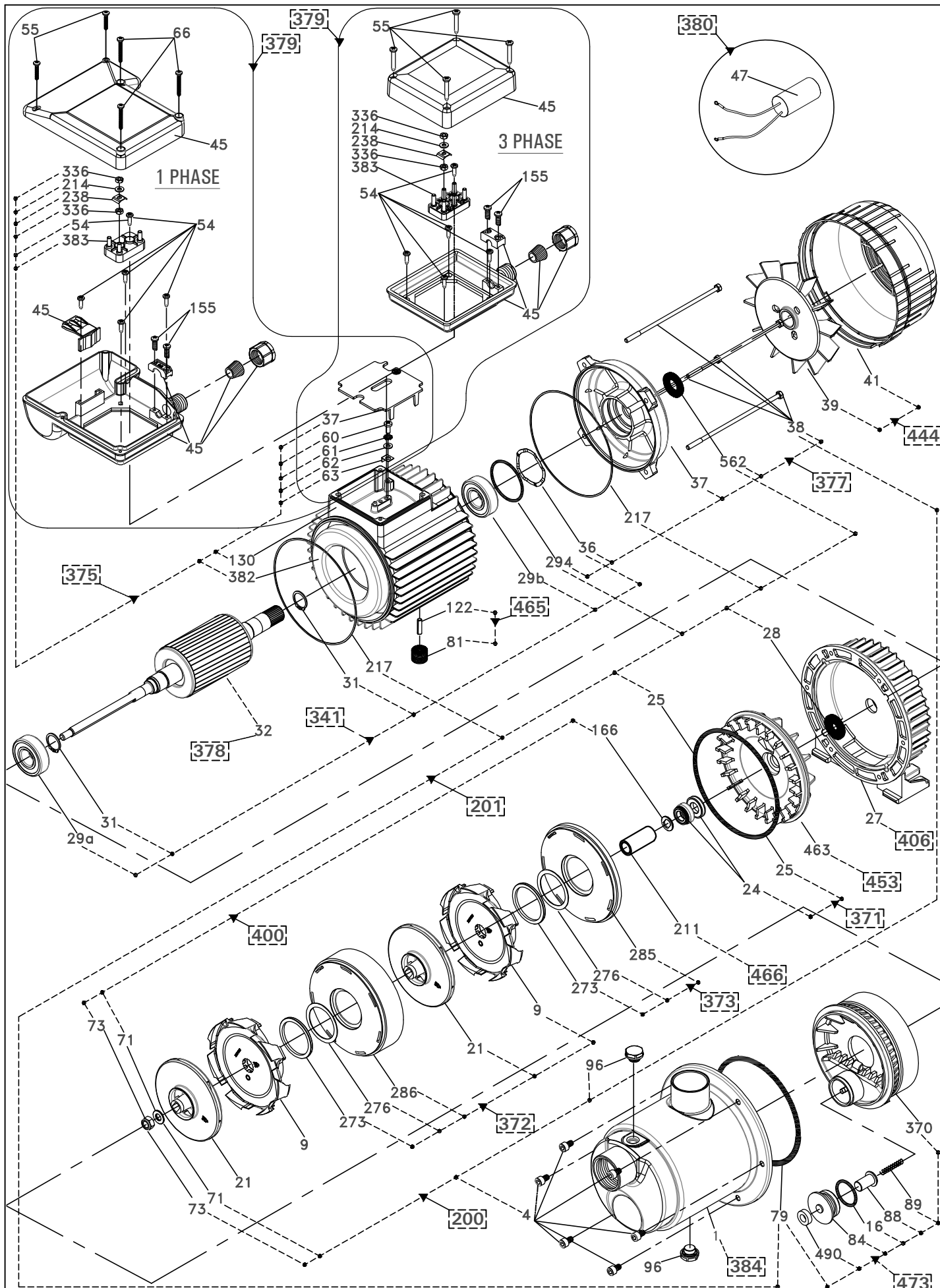
Drawn
 A.Bertola
 Approved
 M.Bernacca

Title
 Multi EVO-A 3 - 5 m³/h;
 Multi EVO-A C 3 - 5 m³/h
 Date (dd/mm/yy)
 10/10/2014

Dwg #

DR140006_01

Sheet
 2 of 2



PENTAIR Pentair Water Italy S.r.l.
 Via Masaccio, 13
 56010 Lugnano (PI)
 ITALY

Drawn A.Bertola
 Approved M.Bernacca

Title Multi EVO A 8 m3/h
 Date (dd/mm/yy) 27/07/2014
 Dwg #

Sheet 1 of 1

DR140008_01

This drawing is the absolute property of Pentair Water Italy S.r.l. It may not be reproduced in any form without the written permission of Pentair Water Italy S.r.l.