

CM

SURFACE PUMPS - HORIZONTAL SINGLE STAGE

- Highly reliable
- Sturdy and resistant
- High hydraulic performance
- Quite operation



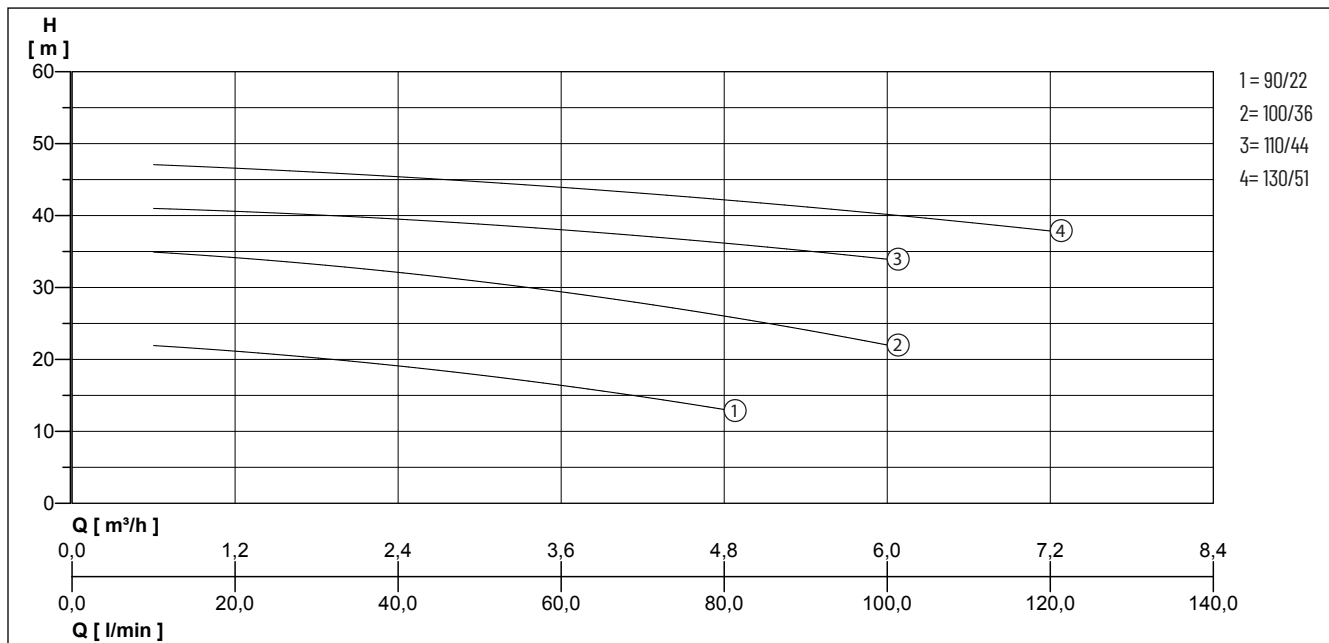
DESCRIPTION

The CM series of single impeller centrifugal pumps are silent with optimal hydraulic performance.

APPLICATIONS

- Lifting from wells for irrigation
- Pressurization systems
- Pressurization and supply
- Washing

PERFORMANCE



We reserve the right to change specifications without notice. Pump performance is subject to ISO 9906 ISO 9906:2012 - Grade 3B tolerances. MEI ≥ 0.4 - Reference MEI ≥ 0.70 - The information on the reference efficiency is available at the address: www.europump.org/efficiencycharts

| Type | Flow rate Q [m³/h] | 0.6 | 1.8 | 3 | 4.8 | 6 | 7.2 |
|---------------|---------------------|-----|-----|----|-----|----|-----|
| CM 90/22 M/T | Delivery head H [m] | 22 | 20 | 18 | 13 | | |
| CM 100/36 M/T | | 35 | 33 | 31 | 26 | 22 | |
| CM 110/44 M/T | | 41 | 40 | 39 | 36 | 34 | |
| CM 130/51 M/T | | 47 | 46 | 45 | 42 | 40 | 38 |

CM

SURFACE PUMPS - HORIZONTAL SINGLE STAGE

MECHANICAL DATA

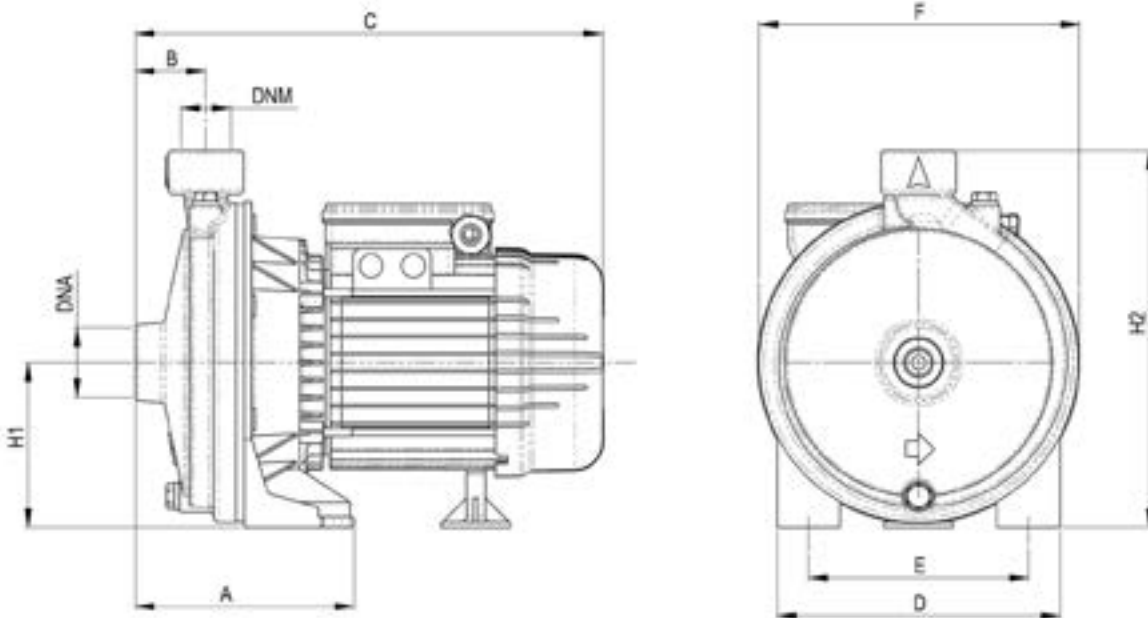
| | | | |
|-----------------|--|----------------------------|---|
| Shaft | Stainless steel X 12 CrNiS 1809 (AISI 416) | Counterface Type of liquid | Ceramic clear or slightly turbid non-abrasive water |
| Motor housing | Cast iron EN GJL 200 | Saughöhe max. | 5 m |
| Pump housing | Cast iron EN GJL 200 | Gasket | NBR 70 shore |
| Mechanical seal | Graphite | | |

ELECTRICAL DATA

| | | | |
|-------------------|-------|----------------|----------|
| Type of enclosure | IP 44 | Rotation speed | 2850 rpm |
| Insulation class | F | | |

CM

| Type | Code No. | Voltage | Motor rating | | Current | Impeller | Operating pressure max. | Temperature of the liquid max. | Weight |
|-------------|-----------------|----------------|--------------|---------|-------------|---------------|-------------------------|--------------------------------|---------|
| | | | P1 | P2 | | | | | |
| CM 90/22 M | N418B090 | 1/N/PE~230 V | 0.75 kW | 0.35 kW | 3.6 A | Technopolymer | 6 bar | 50 °C | 6.5 kg |
| CM 90/22 T | N418B150 | 3/PE~230/400 V | 0.60 kW | 0.40 kW | 2.0 A/1.2 A | Technopolymer | 6 bar | 50 °C | 6.5 kg |
| CM 100/36 M | N418B130 | 1/N/PE~230 V | 1.25 kW | 0.75 kW | 5.5 A | Brass | 8 bar | 90 °C | 11.0 kg |
| CM 100/36 T | N418B160 | 3/PE~230/400 V | 1.20 kW | 0.90 kW | 3.8 A/2.3 A | Brass | 8 bar | 90 °C | 11.0 kg |
| CM 110/44 M | N4187090 | 1/N/PE~230 V | 1.70 kW | 1.10 kW | 8.0 A | Brass | 8 bar | 90 °C | 20.0 kg |
| CM 110/44 T | N4187100 | 3/PE~230/400 V | 1.80 kW | 1.10 kW | 5.5 A/3.2 A | Brass | 8 bar | 90 °C | 20.0 kg |
| CM 130/51 M | N4187110 | 1/N/PE~230 V | 2.40 kW | 1.50 kW | 10.3 A | Brass | 8 bar | 90 °C | 23.0 kg |
| CM 130/51 T | N4187120 | 3/PE~230/400 V | 2.10 kW | 1.50 kW | 6.9 A/4.0 A | Brass | 8 bar | 90 °C | 23.0 kg |



DIMENSIONS [mm]

| Type | A | B | C | D | F | H1 | H2 | DNA | DNM | E |
|---------------|----|----|-----|-----|-----|-----|-----|--------|-----|-----|
| CM 90/22 M/T | 75 | 43 | 267 | 150 | 160 | 82 | 202 | 1" | 1" | 110 |
| CM 100/36 M/T | 82 | 44 | 310 | 180 | 185 | 107 | 242 | 1" | 1" | 140 |
| CM 110/44 M/T | 88 | 45 | 350 | 194 | 200 | 100 | 252 | 1 1/4" | 1" | 155 |
| CM 130/51 M/T | 88 | 45 | 361 | 220 | 225 | 115 | 285 | 1 1/4" | 1" | 180 |