

VERSAILLES

SPECIAL USE - SURFACE PUMPS

- 100% stainless steel
- Ready to use
- Optional accessories: Vulcano, Geyser and Bell



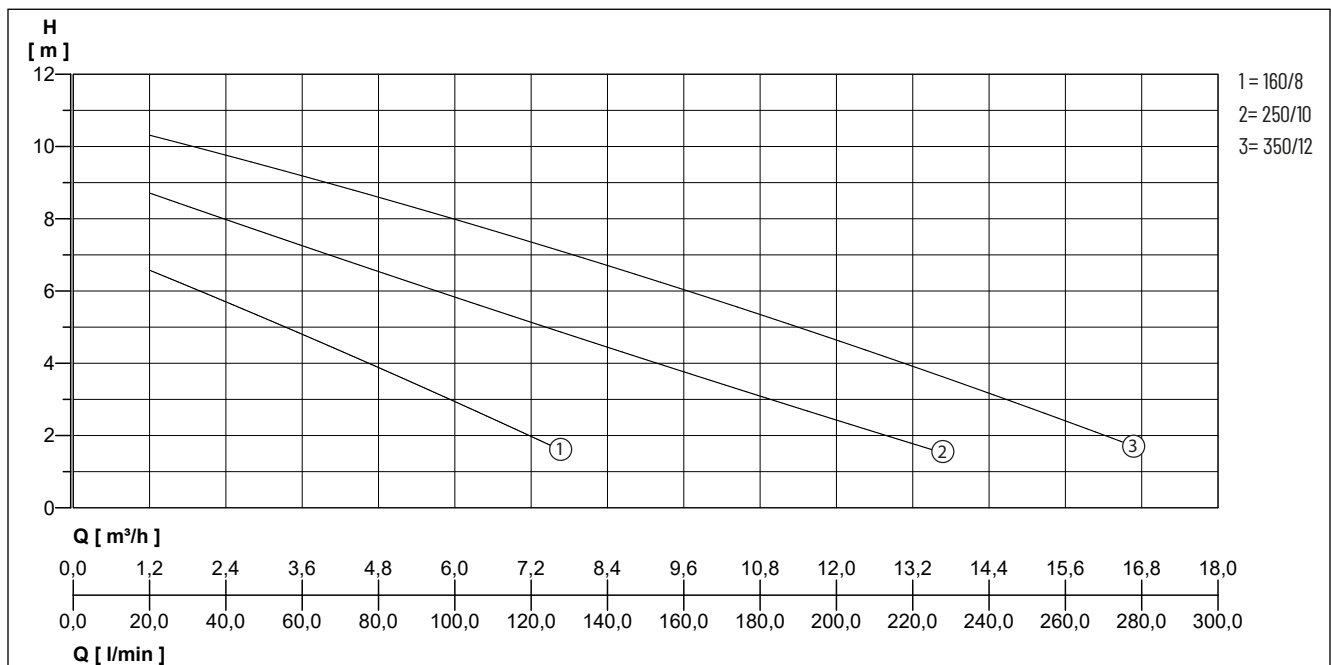
DESCRIPTION

The pumps of the VERSAILLES series have been designed for fountains, water features and waterfalls in water gardens.

APPLICATIONS

- Installation of fountains, water features, waterfalls in water parks.

PERFORMANCE



We reserve the right to change specifications without notice. Pump performance is subject to ISO 9906 ISO 9906:2012 - Grade 3B tolerances.

MECHANICAL DATA

Free passage	1.5 mm	Motor housing	Stainless steel
Bearing	Self-lubricating ball bearings.	Pump housing	Stainless steel X 5 CrNiS 1810 (AISI 304)
Shaft	Stainless steel X 12 CrS 13 (Al-SI 416) with ceramic insert at the points of wear of the seal	Submersible	Yes
Impeller	Stainless steel X5CrNi18-10 (AISI 304)	Type of liquid	Clear water without solids.
		Temperature of the liquid max.	40 °C
		Diving depth	7 m

ELECTRICAL DATA

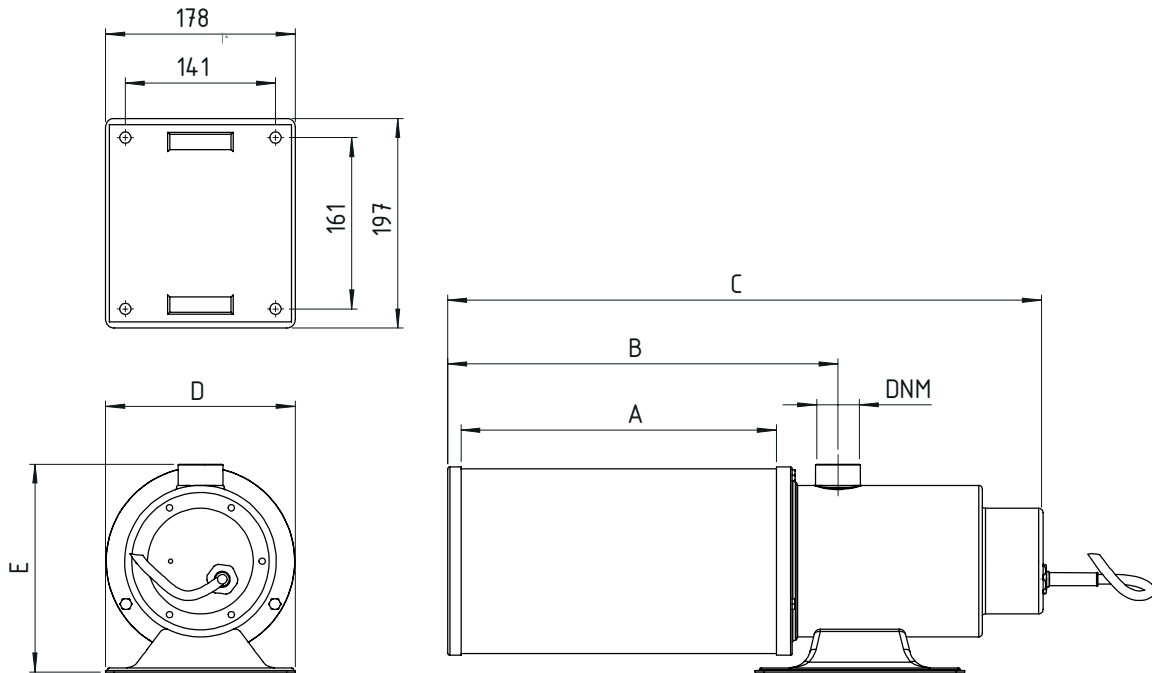
Voltage	1/N/PE~230 V	Insulation class	F
Power line	10m H07RN-F	Plug	Safety
Type of enclosure	IP 68		

VERSAILLES

SPECIAL USE - SURFACE PUMPS

VERSAILLES

Type	Code No.	Motor rating		Current	Weight
		P1	P2		
VERSAILLES 160/8	N2121010	0.45 kW	0.37 kW	2.2 A	7.0 kg
VERSAILLES 250/10	N2121020	0.70 kW	0.50 kW	4.5 A	7.8 kg
VERSAILLES 350/12	N2121030	1.20 kW	0.80 kW	5.1 A	9.3 kg



DIMENSIONS [mm]

Type	A	B	C	D	E~	DNM
VERSAILLES 160/8	144	231	425	178	195	1 1/4"
VERSAILLES 250/10	285	372	620	178	195	1 1/4"
VERSAILLES 350/12	285	372	620	178	195	1 1/4"