



Volumetric pump with liquid ring impeller that gives considerable suction power to the pump. Particularly suitable for liquid transfer (including volatile liquids). The model has a frontal brass closing thus avoiding the risk of blockage.

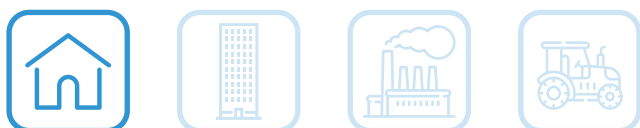
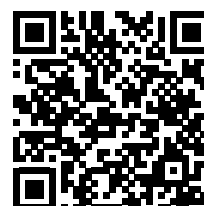
Construction features

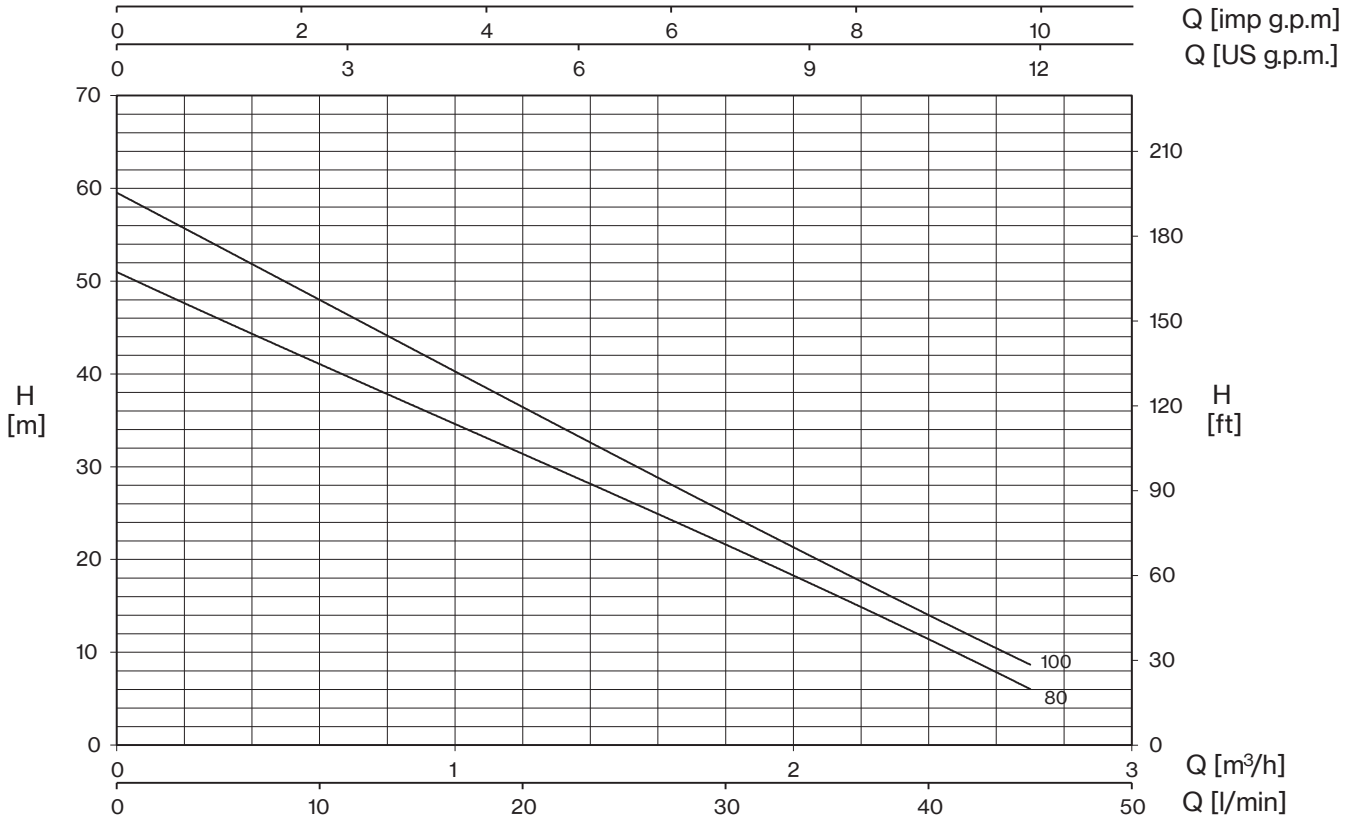
Pump body	cast iron and brass
Motor bracket	cast iron
Impeller	brass
Mechanical seal	ceramic-graphite-NBR
Motor shaft	stainless steel AISI 416
Liquid temperature	0 - 90 °C
Operating pressure	max 8 bar

Motor

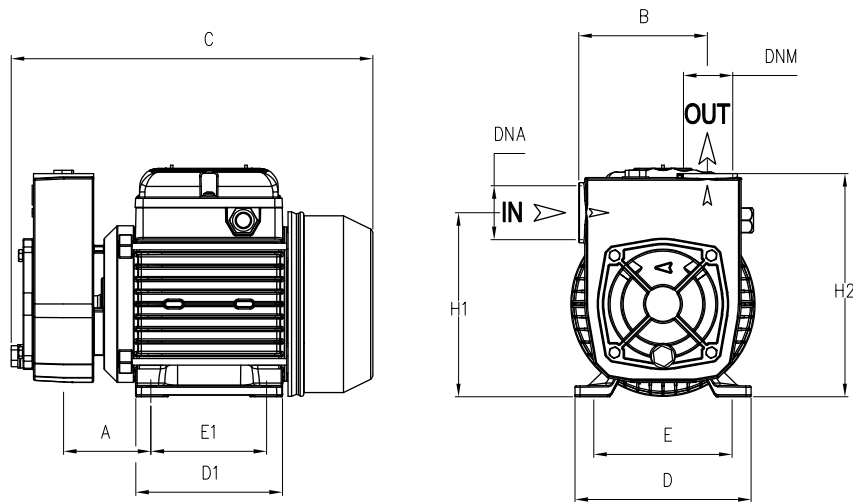
	3~ 230/400V-50Hz
2 Poles induction motor	1~ 230V-50Hz (with thermal protection)
Insulation class	F
Protection degree	IPX4

TYPE	LOTS			
	TRUCK		CONTAINER	
	PALLET (cm)	N° pumps	PALLET (cm)	N° pumps
PC 80-100	85×110×170	105	85×110×190	135
			80×120×170	136





TYPE		P2		P1 (kW)		AMPERE		Q (m³/h - l/min)					
1~	3~	HP	kW	1~	3~	1x230 V 50 Hz	3x400 V 50 Hz	0,3	0,6	1,2	1,8	2,4	2,7
								5	10	20	30	40	45
								H (m)					
PC 80	PC 80 T	0,8	0,59	1,03	0,94	5,0	1,7	46,0	41,0	31,5	21,5	11,5	6,0
PC 100	PC 100 T	1,0	0,74	1,17	0,98	5,4	2,1	53,0	48,0	37,0	25,0	13,5	9,0



TYPE	DIMENSIONS (mm)														
	A	B	C	D	D1	E	E1	H1	H2	DNA	DNM	I	L	M	kg
PC 80	70	98,5	270	135	112	112	89	141	170	1" G	1" G	310	185	195	11,1
PC 100	70	98,5	270	135	112	112	89	141	170	1" G	1" G	310	185	195	11,8