

**PVM/PVMI/PVMX**

SURFACE PUMPS - VERTICAL MULTISTAGE



- High hydraulic efficiency
- Motor designed according to EN regulations
- Wide range
- IE3 Motor



**DESCRIPTION**

PVM, PVMI and PVMX are non self-priming vertical multi-stage pumps, with Victaulic or flanged fittings with inlets and outlets of the same size.

Construction of stages with impellers, chambers and outlet in stainless steel. Pump cardan shaft and motor shaft are directly coupled according to IEC standard.

All pumps are equipped with high efficiency motors (IE3) and a cartridge-type mechanical seal for easy maintenance.

PVM, PVMI and PVMX pumps are available in different sizes and number of stages to provide the required flow and pressure.

**APPLICATIONS**

- Water supply
- Pressurization systems
- Water treatment/filtration
- Irrigation
- High pressure washing
- Liquid transfer
- Fire protection systems
- Boiler feed

**MECHANICAL DATA**

Mechanical seal	SiC/SiC	Gasket	EPDM
Temperature of the liquid max.	120 °C		

**ELECTRICAL DATA**

Type of enclosure	IP 55	Ambient temperature max.	50 °C
Insulation class	F	Rotation speed	2900 rpm

Type	Shaft	Impeller	Pump housing
PVM	Stainless steel 1.4057; AISI 431	Stainless steel 1.4301; AISI 304	Cast iron EN GJL 200
PVMI	Stainless steel 1.4057; AISI 431	Stainless steel 1.4301; AISI 304	Stainless steel X5 CrNi 1810 (AISI 304)
PVMX	Stainless steel 1.4401; AISI 316	Stainless steel 1.4401; AISI 316	Stainless steel X CrNiMo 17-12-03 (AISI 316)

# PVM/PVMI/PVMX

## SURFACE PUMPS - VERTICAL MULTISTAGE

Motor rating P2	Motor frame	1/N/PE~230 V	3/PE~230/400 V	3/PE~400/690 V
0.37 kW	71	2.8 A	1.7 A/1 A	
0.55 kW	71	4.2 A	2.6 A/1.5 A	
0.75 kW	80	5 A	3.5 A/2 A	
1.1 kW	80	7.9 A	4.5 A/2.6 A	
1.5 kW	90S	10.5 A	6.1 A/3.5 A	
2.2 kW	90L		7.6 A/4.4 A	
3 kW	100L		11.7 A/6.7 A	
4 kW	112M		13.5 A/7.8 A	
5.5 kW	132S			10.2 A/5.9 A
7.5 kW	132S			14.7 A/8.5 A
11 kW	160M			21 A/13 A
15 kW	160M			29 A/17 A
18.5 kW	160L			35 A/21 A
22 kW	180M			42 A/25 A
30 kW	200L			55 A/32 A
37 kW	200L			63.5 A/36.8 A
45 kW	225M			77.8 A/45 A
55 kW	250M			93.6 A
75 kW	280S			123.1 A

# PVM/PVMI/PVMX

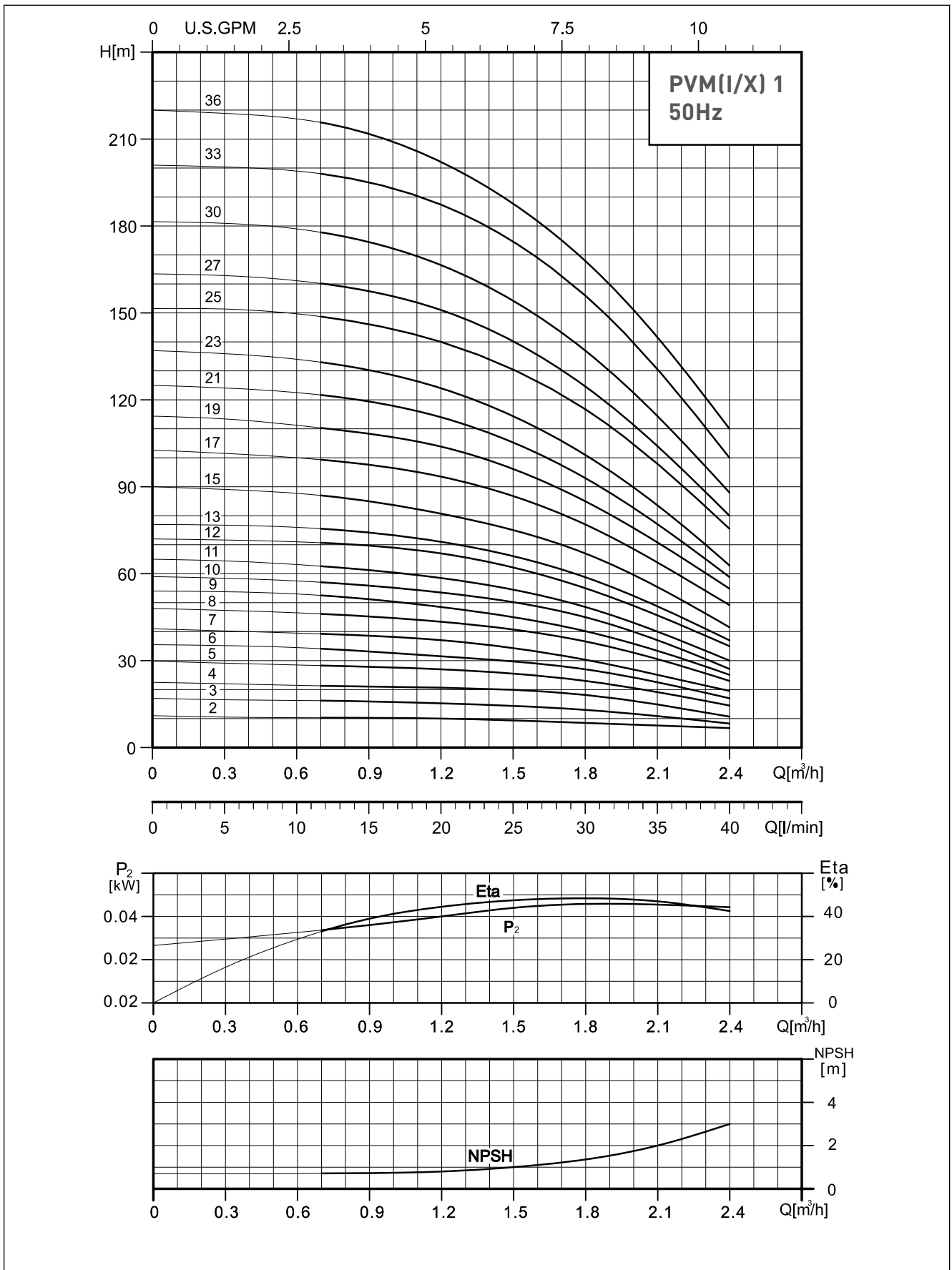
## SURFACE PUMPS - VERTICAL MULTISTAGE

N. stages	Operating pressure max.	N. stages	Input pressure max.
<b>PVM/PVMI/PVMX 1</b>			
2 ... 36	25 bar	2 ... 36	10 bar
<b>PVM/PVMI/PVMX 3</b>			
2 ... 36	25 bar	2 ... 29 31 ... 36	10 bar 15 bar
<b>PVM/PVMI/PVMX 5</b>			
2 ... 36	25 bar	2 ... 16 18 ... 36	10 bar 15 bar
<b>PVM/PVMI/PVMX 10</b>			
1 ... 16 18 ... 22	16 bar 25 bar	1 ... 6 7 ... 22	8 bar 10 bar
<b>PVM/PVMI/PVMX 15</b>			
1 ... 10 12 ... 17	16 bar 25 bar	1 ... 3 4 ... 17	8 bar 10 bar
<b>PVM/PVMI/PVMX 20</b>			
1 ... 10 12 ... 17	16 bar 25 bar	1 ... 3 4 ... 17	8 bar 10 bar
<b>PVM/PVMI/PVMX 32</b>			
1-1 ... 7 8-2 ... 14	16 bar 30 bar	1-1 ... 4 5-2 ... 10 11-2 ... 14	4 bar 10 bar 15 bar
<b>PVM/PVMI/PVMX 45</b>			
1-1 ... 5 6-2 ... 11 12-2 ... 13-2	16 bar 30 bar 33 bar	1-1 ... 2-2 3-2 ... 5 6-2 ... 13-2	4 bar 10 bar 15 bar
<b>PVM/PVMI/PVMX 64</b>			
1-1 ... 5 6-2 ... 8-1	16 bar 30 bar	1-1 ... 2-2 2-1 ... 4-2 4-1 ... 8-1	4 bar 10 bar 15 bar
<b>PVM/PVMI/PVMX 90</b>			
1-1 ... 4 5-2 ... 6	16 bar 30 bar	1-1 2-2 ... 3-2 3 ... 6	4 bar 10 bar 15 bar
<b>PVM/PVMI/PVMX 120</b>			
1 ... 7	30 bar	1 ... 2-1 2 ... 5-1 6-1 ... 7	10 bar 15 bar 20 bar
<b>PVM/PVMI/PVMX 150</b>			
1-1 ... 6	30 bar	1-1 2-1 ... 4-1 5-2 ... 6	10 bar 15 bar 20 bar

# PVM/PVMI/PVMX 1

SURFACE PUMPS - VERTICAL MULTISTAGE

## PERFORMANCE

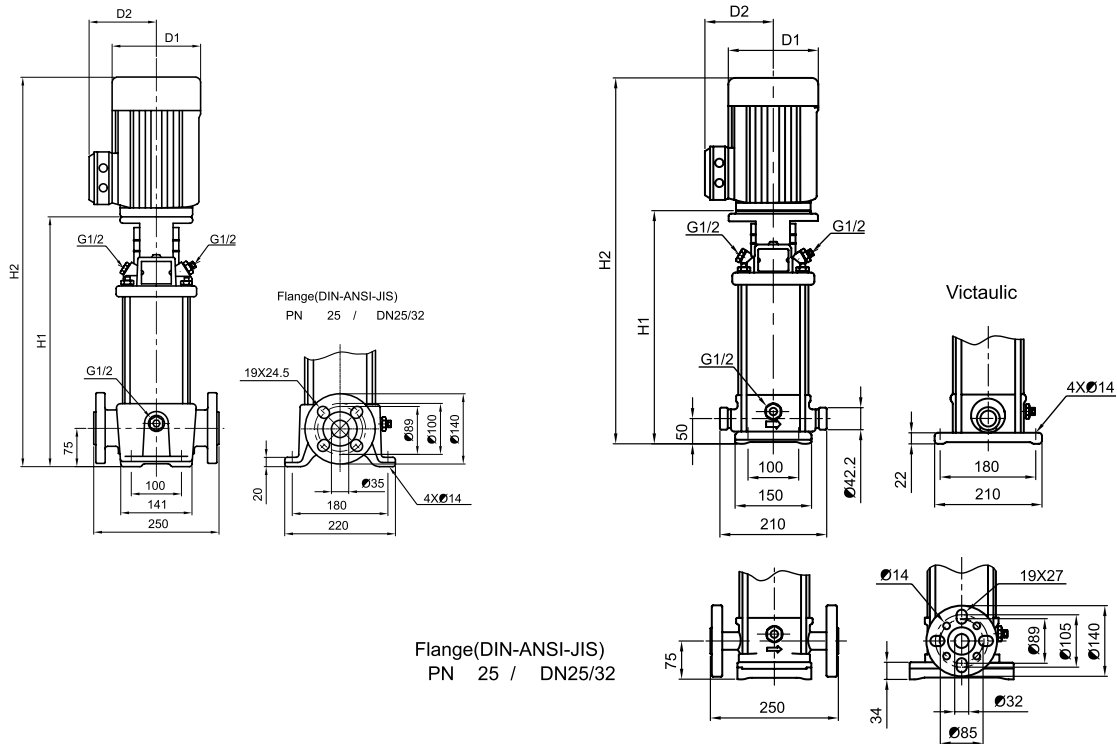


# PVM/PVMI/PVMX 1

## SURFACE PUMPS - VERTICAL MULTISTAGE

### PVM/PVMI/PVMX 1

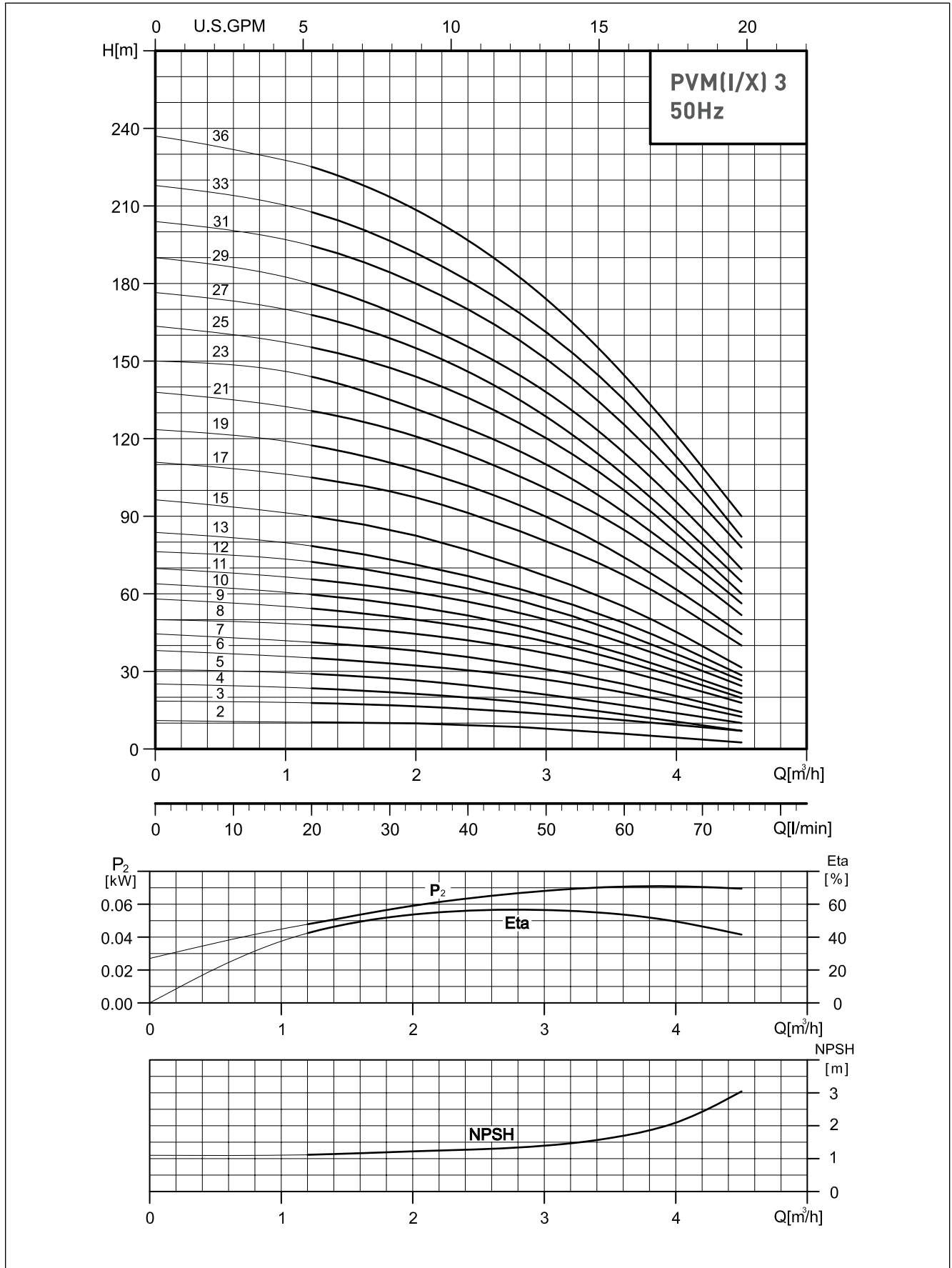
Dimensions [mm]							Dimensions [mm]						
Type	P2	[kg]	H1	H2	D1	D2	Type	P2	[kg]	H1	H2	D1	D2
PVM 01-02	0.37 kW	23.4	279	474	141	115	PVMI/PVMX 01-02	0.37 kW	20.2	282	477	141	115
PVM 01-03	0.37 kW	23.4	279	474	141	115	PVMI/PVMX 01-03	0.37 kW	20.3	282	477	141	115
PVM 01-04	0.37 kW	23.8	297	492	141	115	PVMI/PVMX 01-04	0.37 kW	20.6	300	495	141	115
PVM 01-05	0.37 kW	24.2	315	510	141	115	PVMI/PVMX 01-05	0.37 kW	21	318	513	141	115
PVM 01-06	0.37 kW	24.5	333	528	141	115	PVMI/PVMX 01-06	0.37 kW	21.4	336	531	141	115
PVM 01-07	0.37 kW	24.9	351	546	141	115	PVMI/PVMX 01-07	0.37 kW	21.7	354	549	141	115
PVM 01-08	0.55 kW	25.8	369	564	141	115	PVMI/PVMX 01-08	0.55 kW	22.6	372	567	141	115
PVM 01-09	0.55 kW	26.1	387	582	141	115	PVMI/PVMX 01-09	0.55 kW	23	390	585	141	115
PVM 01-10	0.55 kW	26.5	405	600	141	115	PVMI/PVMX 01-10	0.55 kW	23.3	408	603	141	115
PVM 01-11	0.55 kW	26.9	423	618	141	115	PVMI/PVMX 01-11	0.55 kW	23.7	426	621	141	115
PVM 01-12	0.75 kW	29.4	447	682	141	115	PVMI/PVMX 01-12	0.75 kW	26.1	450	685	141	115
PVM 01-13	0.75 kW	29.8	465	700	141	115	PVMI/PVMX 01-13	0.75 kW	26.5	468	703	141	115
PVM 01-15	0.75 kW	30.5	501	736	141	115	PVMI/PVMX 01-15	0.75 kW	27.2	504	739	141	115
PVM 01-17	1.1 kW	32.3	537	826	141	115	PVMI/PVMX 01-17	1.1 kW	29.1	540	829	141	115
PVM 01-19	1.1 kW	33.1	573	862	141	115	PVMI/PVMX 01-19	1.1 kW	29.8	576	865	141	115
PVM 01-21	1.1 kW	33.8	609	898	141	115	PVMI/PVMX 01-21	1.1 kW	30.6	612	901	141	115
PVM 01-23	1.1 kW	34.6	645	934	141	115	PVMI/PVMX 01-23	1.1 kW	31.3	648	937	141	115
PVM 01-25	1.5 kW	44	697	992	180	138	PVMI/PVMX 01-25	1.5 kW	40.8	700	995	180	138
PVM 01-27	1.5 kW	44.8	733	1028	180	138	PVMI/PVMX 01-27	1.5 kW	41.5	736	1031	180	138
PVM 01-30	1.5 kW	45.9	787	1082	180	138	PVMI/PVMX 01-30	1.5 kW	42.6	790	1085	180	138
PVM 01-33	2.2 kW	49.9	841	1136	180	138	PVMI/PVMX 01-33	2.2 kW	46.6	844	1139	180	138
PVM 01-36	2.2 kW	51	895	1190	180	138	PVMI/PVMX 01-36	2.2 kW	47.7	898	1193	180	138



# PVM/PVMI/PVMX 3

SURFACE PUMPS - VERTICAL MULTISTAGE

## PERFORMANCE

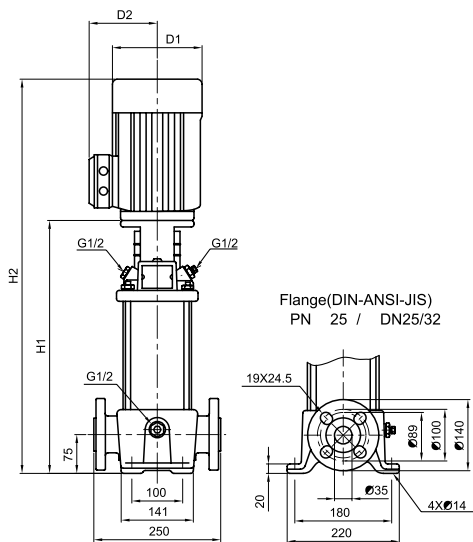


# PVM/PVMI/PVMX 3

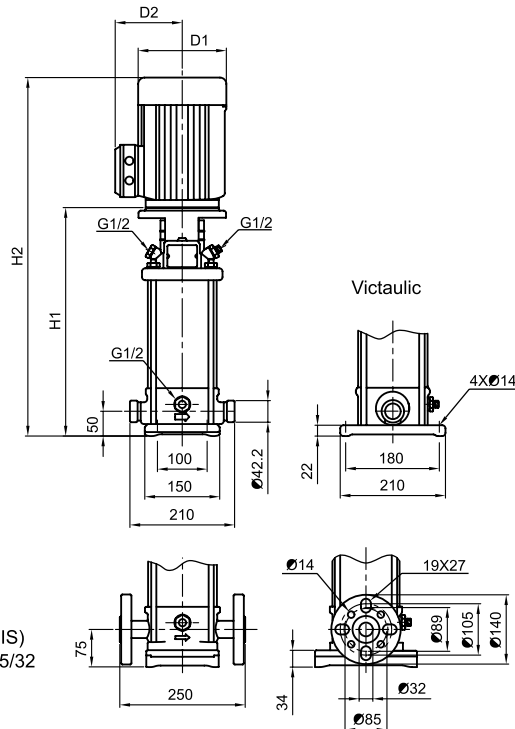
## SURFACE PUMPS - VERTICAL MULTISTAGE

### PVM/PVMI/PVMX 3

Dimensions [mm]							Dimensions [mm]						
Type	P2	[kg]	H1	H2	D1	D2	Type	P2	[kg]	H1	H2	D1	D2
PVM 03-02	0.37 kW	23.4	279	474	141	115	PVMI/PVMX 03-02	0.37 kW	20.2	282	477	141	115
PVM 03-03	0.37 kW	23.4	279	474	141	115	PVMI/PVMX 03-03	0.37 kW	20.3	282	477	141	115
PVM 03-04	0.37 kW	23.8	297	492	141	115	PVMI/PVMX 03-04	0.37 kW	20.6	300	495	141	115
PVM 03-05	0.37 kW	24.2	315	510	141	115	PVMI/PVMX 03-05	0.37 kW	21	318	513	141	115
PVM 03-06	0.55 kW	25	333	528	141	115	PVMI/PVMX 03-06	0.55 kW	21.9	336	531	141	115
PVM 03-07	0.55 kW	25.4	351	546	141	115	PVMI/PVMX 03-07	0.55 kW	22.2	354	549	141	115
PVM 03-08	0.75 kW	27.9	375	610	141	115	PVMI/PVMX 03-08	0.75 kW	24.6	378	613	141	115
PVM 03-09	0.75 kW	28.3	393	628	141	115	PVMI/PVMX 03-09	0.75 kW	25	396	631	141	115
PVM 03-10	0.75 kW	28.7	411	646	141	115	PVMI/PVMX 03-10	0.75 kW	25.4	414	649	141	115
PVM 03-11	1.1 kW	30.2	429	718	177	141	PVMI/PVMX 03-11	1.1 kW	26.9	432	667	141	115
PVM 03-12	1.1 kW	30.5	447	736	177	141	PVMI/PVMX 03-12	1.1 kW	27.2	450	685	141	115
PVM 03-13	1.1 kW	30.9	465	754	177	141	PVMI/PVMX 03-13	1.1 kW	27.6	468	703	141	115
PVM 03-15	1.1 kW	31.6	501	736	141	115	PVMI/PVMX 03-15	1.1 kW	28.3	504	739	141	115
PVM 03-17	1.5 kW	41	553	820	180	138	PVMI/PVMX 03-17	1.5 kW	37.8	556	823	177	141
PVM 03-19	1.5 kW	41.8	589	856	180	138	PVMI/PVMX 03-19	1.5 kW	38.5	592	859	177	141
PVM 03-21	2.2 kW	45.3	625	892	180	138	PVMI/PVMX 03-21	2.2 kW	42.1	628	895	177	141
PVM 03-23	2.2 kW	46.1	661	928	180	138	PVMI/PVMX 03-23	2.2 kW	42.9	664	931	177	141
PVM 03-25	2.2 kW	46.8	697	964	180	138	PVMI/PVMX 03-25	2.2 kW	43.6	700	967	177	141
PVM 03-27	2.2 kW	47.6	733	1000	180	138	PVMI/PVMX 03-27	2.2 kW	44.3	736	1003	177	141
PVM 03-29	2.2 kW	48.3	769	1036	180	138	PVMI/PVMX 03-29	2.2 kW	45.1	772	1039	177	141
PVM 03-31	3 kW	56.6	809	1130	194	145	PVMI/PVMX 03-31	3 kW	53	812	1133	197	147
PVM 03-33	3 kW	57.4	845	1166	194	145	PVMI/PVMX 03-33	3 kW	53.7	848	1169	197	147
PVM 03-36	3 kW	58.5	899	1220	194	145	PVMI/PVMX 03-36	3 kW	54.8	902	1223	197	147



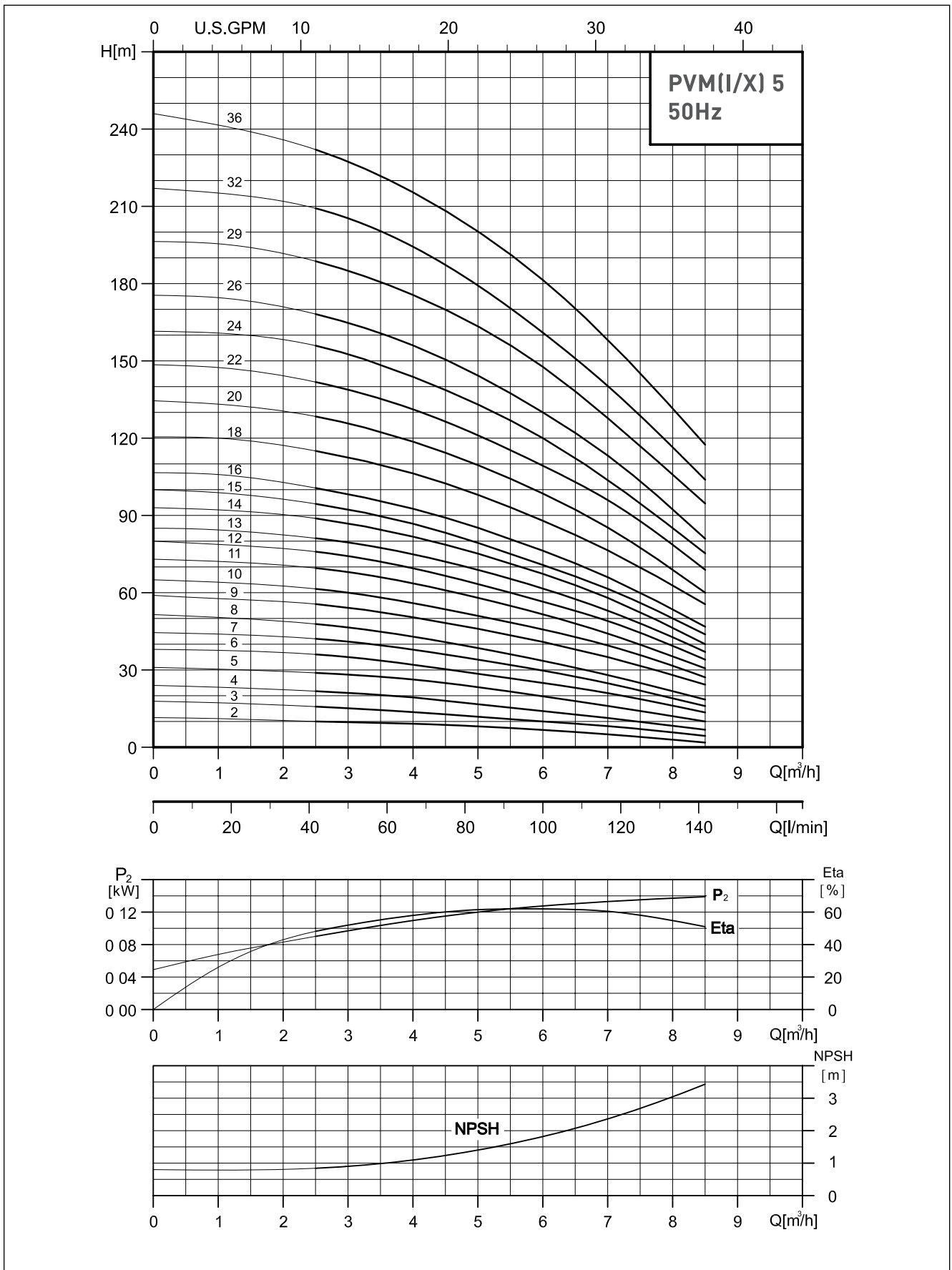
Flange(DIN-ANSI-JIS)  
PN 25 / DN25/32



# PVM/PVMI/PVMX 5

SURFACE PUMPS - VERTICAL MULTISTAGE

## PERFORMANCE



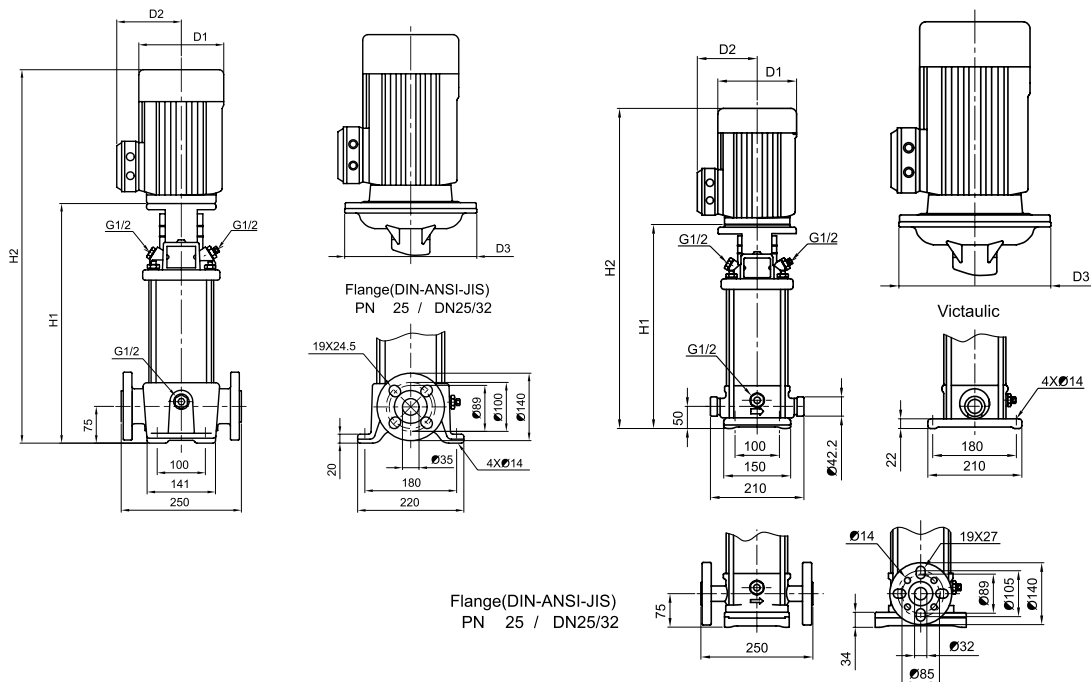


# PVM/PVMI/PVMX 5

## SURFACE PUMPS - VERTICAL MULTISTAGE

### PVM/PVMI/PVMX 5

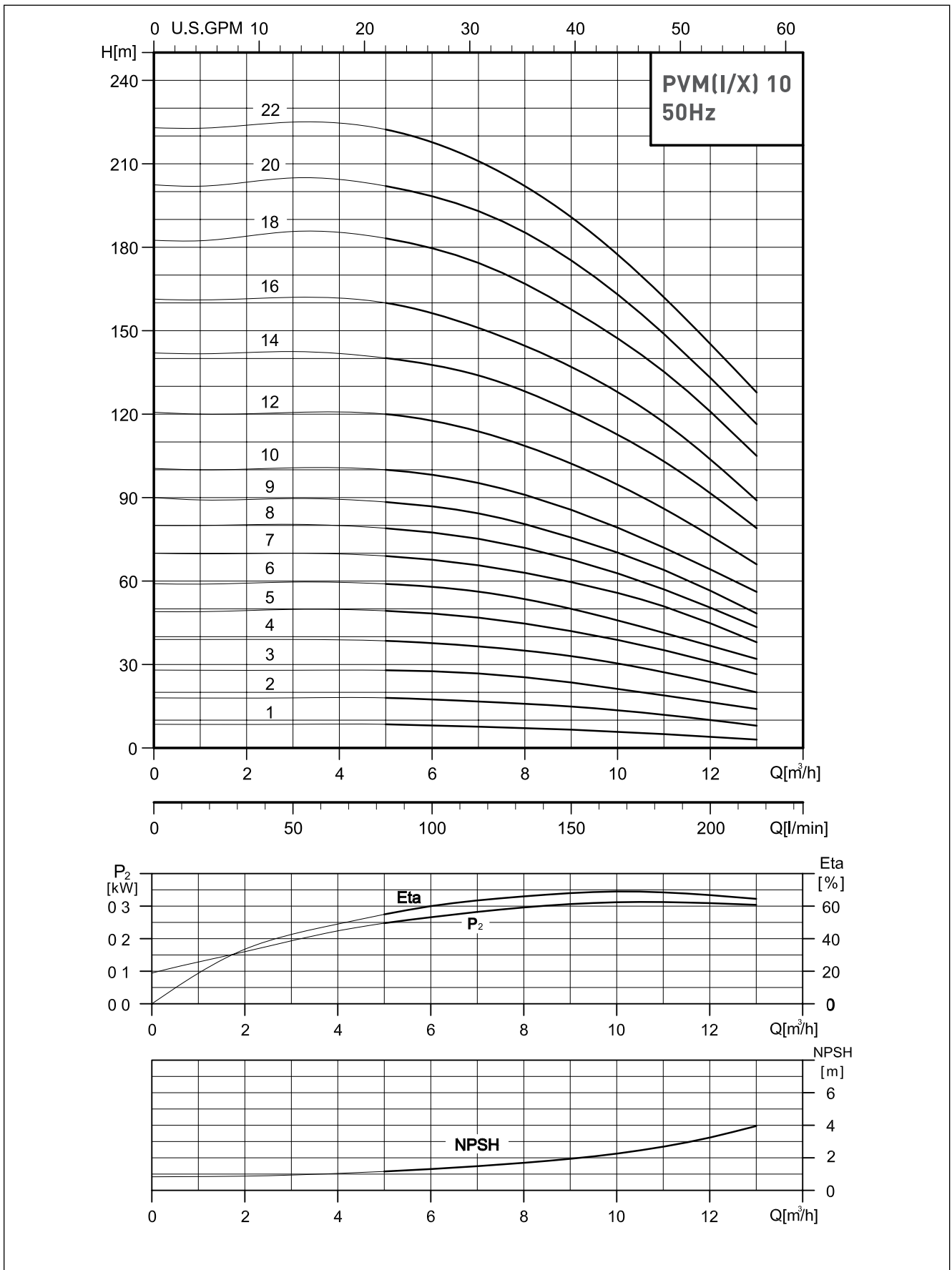
Dimensions [mm]							Dimensions [mm]								
Type	P2	[kg]	H1	H2	D1	D2	D3	Type	P2	[kg]	H1	H2	D1	D2	D3
PVM 05-02	0.37 kW	23.3	279	474	141	115		PVMI/PVMX 05-02	0.37 kW	20.1	282	477	141	115	
PVM 05-03	0.55 kW	24.2	306	501	141	115		PVMI/PVMX 05-03	0.55 kW	21.2	309	504	141	115	
PVM 05-04	0.55 kW	24.8	333	528	141	115		PVMI/PVMX 05-04	0.55 kW	21.8	336	531	141	115	
PVM 05-05	0.75 kW	27.4	366	601	141	115		PVMI/PVMX 05-05	0.75 kW	24.3	369	604	141	115	
PVM 05-06	1.1 kW	29.1	393	628	141	115		PVMI/PVMX 05-06	1.1 kW	26	396	631	141	115	
PVM 05-07	1.1 kW	29.6	420	655	141	115		PVMI/PVMX 05-07	1.1 kW	26.5	423	658	141	115	
PVM 05-08	1.1 kW	30.1	447	682	141	115		PVMI/PVMX 05-08	1.1 kW	27.1	450	685	141	115	
PVM 05-09	1.5 kW	39.3	490	757	180	138		PVMI/PVMX 05-09	1.5 kW	36.4	493	760	180	138	
PVM 05-10	1.5 kW	39.9	517	784	180	138		PVMI/PVMX 05-10	1.5 kW	36.9	520	787	180	138	
PVM 05-11	2.2 kW	43.2	544	811	180	138		PVMI/PVMX 05-11	2.2 kW	40.3	547	814	180	138	
PVM 05-12	2.2 kW	43.7	571	838	180	138		PVMI/PVMX 05-12	2.2 kW	40.8	574	841	180	138	
PVM 05-13	2.2 kW	44.2	598	865	180	138		PVMI/PVMX 05-13	2.2 kW	41.4	601	868	180	138	
PVM 05-14	2.2 kW	44.8	625	892	180	138		PVMI/PVMX 05-14	2.2 kW	41.9	628	895	180	138	
PVM 05-15	2.2 kW	45.2	652	919	180	138		PVMI/PVMX 05-15	2.2 kW	42.5	655	922	180	138	
PVM 05-16	2.2 kW	45.8	679	946	180	138		PVMI/PVMX 05-16	2.2 kW	43	682	949	180	138	
PVM 05-18	3 kW	54.3	737	1058	194	145		PVMI/PVMX 05-18	3 kW	51.3	740	1061	194	145	
PVM 05-20	3 kW	55.5	791	1112	194	145		PVMI/PVMX 05-20	3 kW	52.5	794	1115	194	145	
PVM 05-22	4 kW	59.8	845	1173	225	160		PVMI/PVMX 05-22	4 kW	56.8	848	1176	225	160	
PVM 05-24	4 kW	60.8	899	1227	225	160		PVMI/PVMX 05-24	4 kW	57.8	902	1230	225	160	
PVM 05-26	4 kW	62.7	953	1281	225	160		PVMI/PVMX 05-26	4 kW	58.9	956	1284	225	160	
PVM 05-29	4 kW	64.6	1034	1362	225	160		PVMI/PVMX 05-29	4 kW	60.6	1037	1365	225	160	
PVM 05-32	5.5 kW	90.1	1145	1510	248	194	300	PVMI/PVMX 05-32	5.5 kW	85.8	1148	1513	248	194	300
PVM 05-36	5.5 kW	92.6	1253	1618	248	194	300	PVMI/PVMX 05-36	5.5 kW	88.1	1256	1621	248	194	300



# PVM/PVMI/PVMX 10

SURFACE PUMPS - VERTICAL MULTISTAGE

## PERFORMANCE

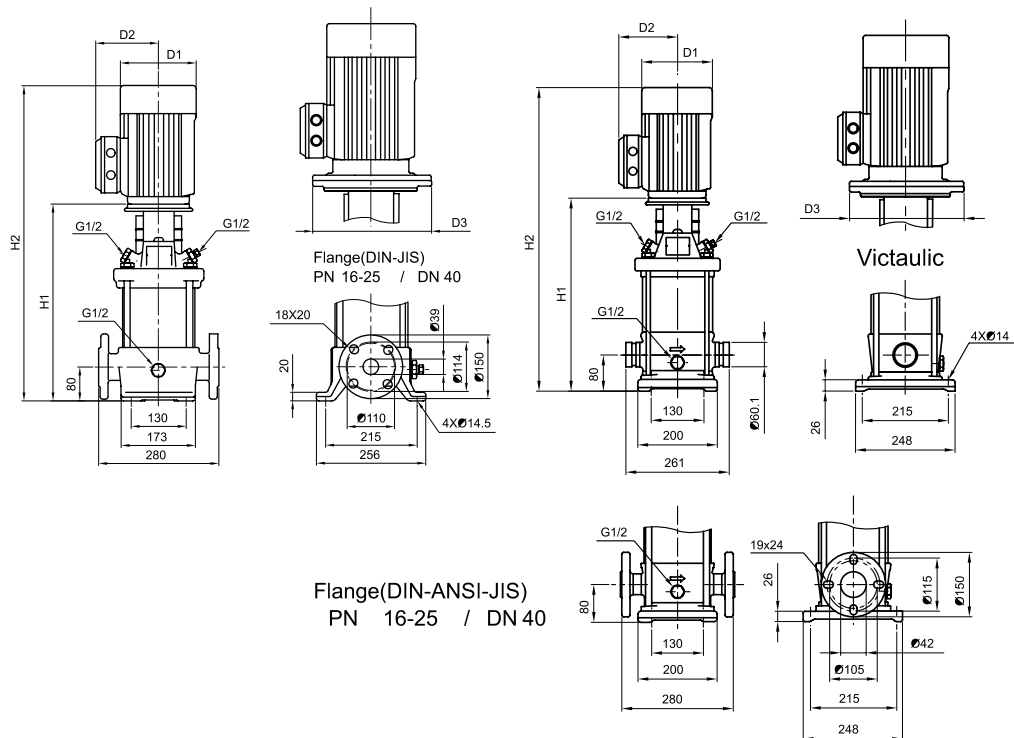


# PVM/PVMI/PVMX 10

## SURFACE PUMPS - VERTICAL MULTISTAGE

### PVM/PVMI/PVMX 10

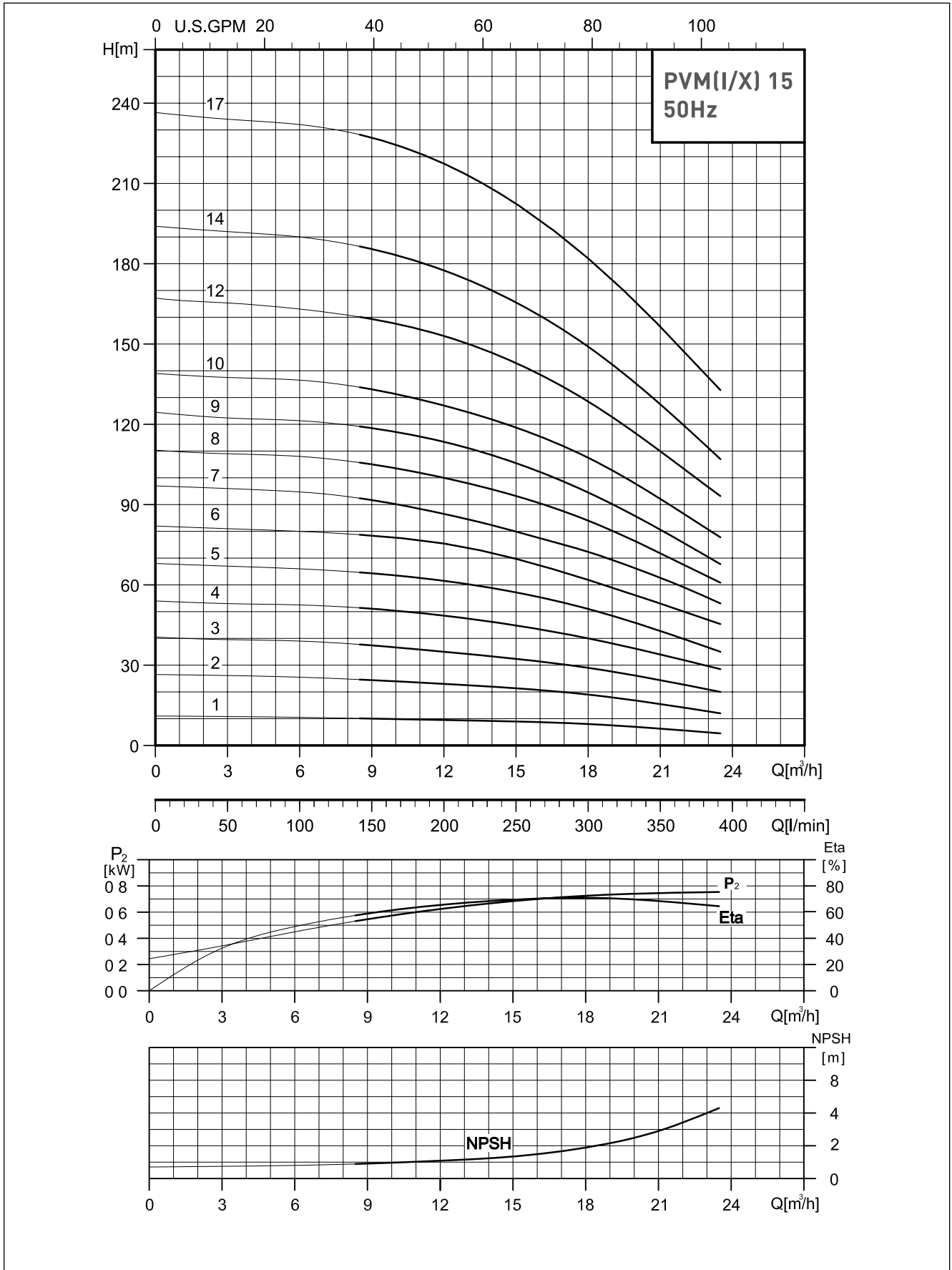
Dimensions [mm]							Dimensions [mm]								
Type	P2 [kW]	[kg]	H1	H2	D1	D2	D3	Type	P2 [kW]	[kg]	H1	H2	D1	D2	D3
PVM 10-01	0.37 kW	35.9	343	538	141	115		PVMI/PVMX 10-01	0.37 kW	31.4	353	548	141	115	
PVM 10-02	0.75 kW	38.2	347	582	141	115		PVMI/PVMX 10-02	0.75 kW	34.2	357	592	141	115	
PVM 10-03	1.1 kW	40.3	377	612	141	115		PVMI/PVMX 10-03	1.1 kW	36.3	387	622	141	115	
PVM 10-04	1.5 kW	50.1	423	690	180	138		PVMI/PVMX 10-04	1.5 kW	46	433	700	180	138	
PVM 10-05	2.2 kW	53.9	453	720	180	138		PVMI/PVMX 10-05	2.2 kW	49.8	463	730	180	138	
PVM 10-06	2.2 kW	55	483	750	180	138		PVMI/PVMX 10-06	2.2 kW	50.8	493	760	180	138	
PVM 10-07	3 kW	63.8	518	839	194	145		PVMI/PVMX 10-07	3 kW	58.9	528	849	194	145	
PVM 10-08	3 kW	64.9	548	869	194	145		PVMI/PVMX 10-08	3 kW	60	558	879	194	145	
PVM 10-09	3 kW	65.9	578	899	194	145		PVMI/PVMX 10-09	3 kW	61	588	909	194	145	
PVM 10-10	4 kW	70.3	608	936	225	160		PVMI/PVMX 10-10	4 kW	65.4	618	946	225	160	
PVM 10-12	4 kW	72.4	668	996	225	160		PVMI/PVMX 10-12	4 kW	67.5	678	1006	225	160	
PVM 10-14	5.5 kW	104.1	760	1125	248	194	300	PVMI/PVMX 10-14	5.5 kW	100.3	770	1135	248	194	300
PVM 10-16	5.5 kW	106.2	820	1185	248	194	300	PVMI/PVMX 10-16	5.5 kW	102.4	830	1195	248	194	300
PVM 10-18	7.5 kW	113.6	880	1265	248	194	300	PVMI/PVMX 10-18	7.5 kW	110.8	890	1275	248	194	300
PVM 10-20	7.5 kW	116.7	940	1325	248	194	300	PVMI/PVMX 10-20	7.5 kW	112.8	950	1335	248	194	300
PVM 10-22	7.5 kW	118.8	1000	1385	248	194	300	PVMI/PVMX 10-22	7.5 kW	114.9	1010	1395	248	194	300



# PVM/PVMI/PVMX 15

SURFACE PUMPS - VERTICAL MULTISTAGE

## PERFORMANCE

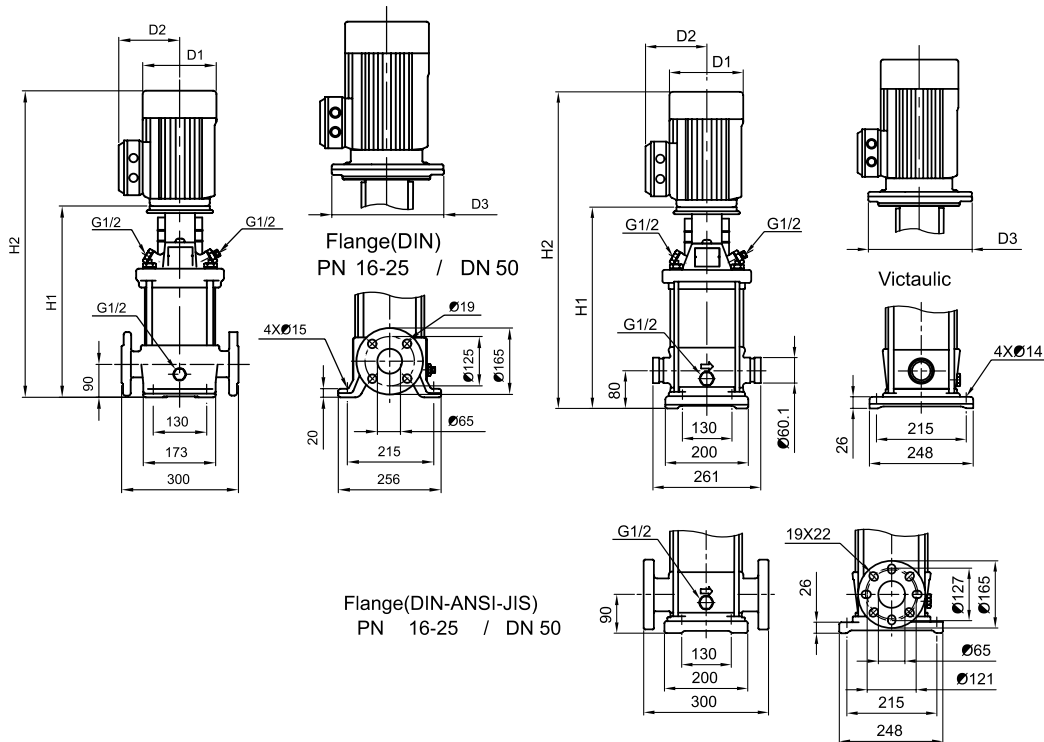


# PVM/PVMI/PVMX 15

## SURFACE PUMPS - VERTICAL MULTISTAGE

### PVM/PVMI/PVMX 15

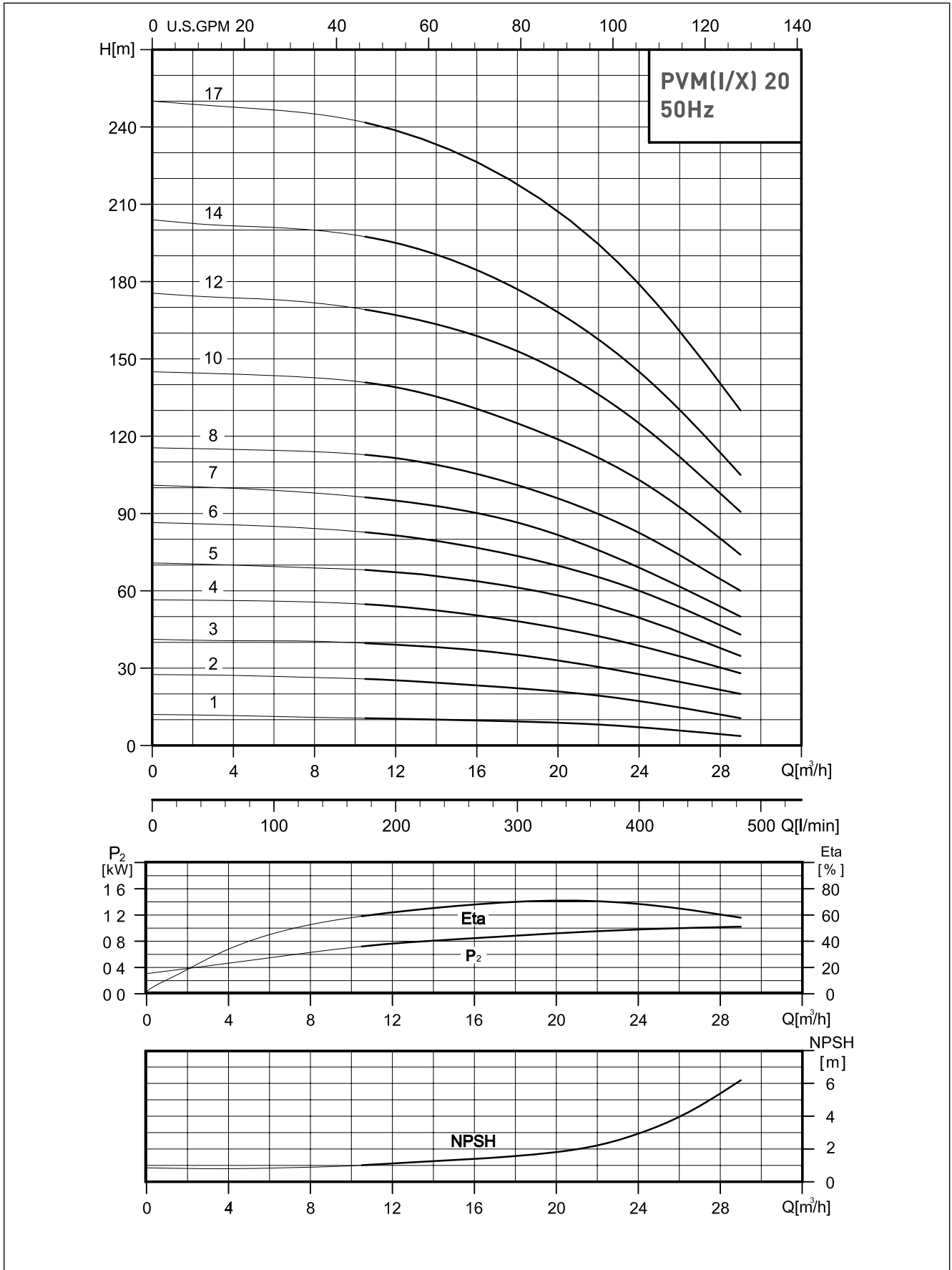
Dimensions [mm]							Dimensions [mm]								
Type	P2	[kg]	H1	H2	D1	D2	D3	Type	P2	[kg]	H1	H2	D1	D2	D3
PVM 15-01	1.1 kW	43.8	400	635	141	115		PVMI/PVMX 15-01	1.1 kW	36.6	397	632	141	115	
PVM 15-02	2.2 kW	55.7	415	682	180	138		PVMI/PVMX 15-02	2.2 kW	48.3	413	680	180	138	
PVM 15-03	3 kW	64.9	465	786	194	145		PVMI/PVMX 15-03	3 kW	56.7	463	784	194	145	
PVM 15-04	4 kW	69.7	510	838	225	160		PVMI/PVMX 15-04	4 kW	61.6	508	836	225	160	
PVM 15-05	4 kW	71.2	555	883	225	160		PVMI/PVMX 15-05	4 kW	63	553	881	225	160	
PVM 15-06	5.5 kW	102.3	632	997	248	194	300	PVMI/PVMX 15-06	5.5 kW	95.3	630	995	248	194	300
PVM 15-07	5.5 kW	103.8	677	1042	248	194	300	PVMI/PVMX 15-07	5.5 kW	96.7	675	1040	248	194	300
PVM 15-08	7.5 kW	111.8	722	1107	248	194	300	PVMI/PVMX 15-08	7.5 kW	104.7	720	1105	248	194	300
PVM 15-09	7.5 kW	113.3	767	1152	248	194	300	PVMI/PVMX 15-09	7.5 kW	106.2	765	1150	248	194	300
PVM 15-10	11 kW	150	889	1387	317	238	350	PVMI/PVMX 15-10	11 kW	143.3	887	1385	317	238	350
PVM 15-12	11 kW	153	979	1477	317	238	350	PVMI/PVMX 15-12	11 kW	146.2	977	1475	317	238	350
PVM 15-14	11 kW	156.3	1069	1567	317	238	350	PVMI/PVMX 15-14	11 kW	149.1	1067	1565	317	238	350
PVM 15-17	15 kW	171.5	1204	1702	317	238	350	PVMI/PVMX 15-17	15 kW	163.5	1202	1700	317	238	350



# PVM/PVMI/PVMX 20

SURFACE PUMPS - VERTICAL MULTISTAGE

## PERFORMANCE

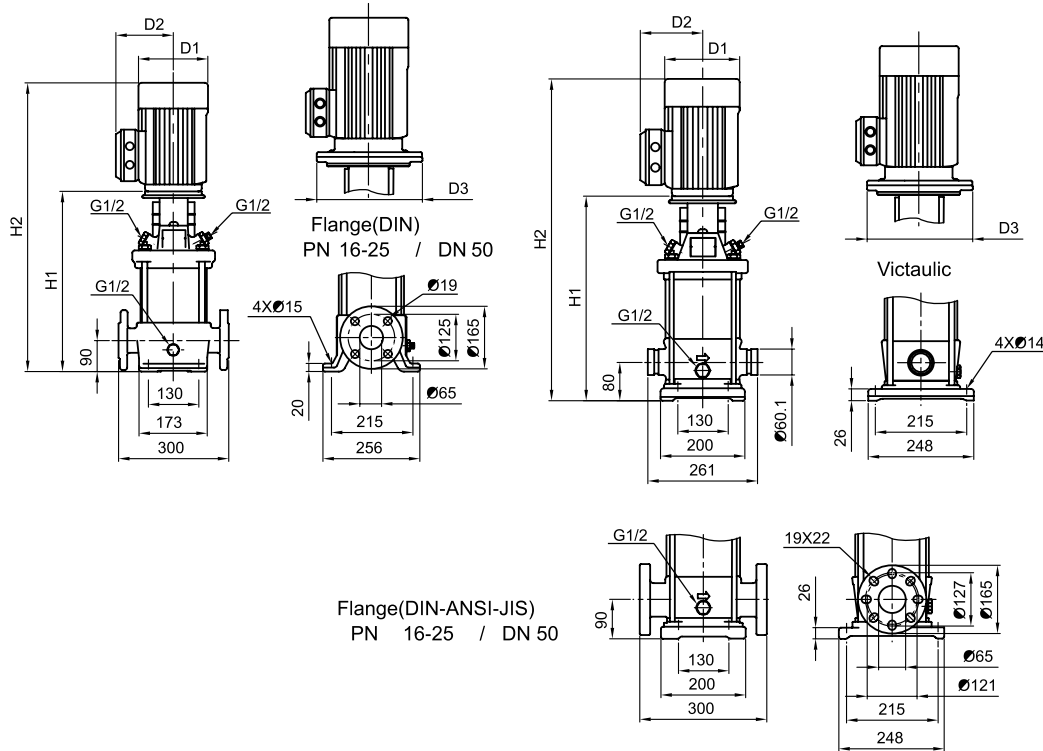


# PVM/PVMI/PVMX 20

## SURFACE PUMPS - VERTICAL MULTISTAGE

### PVM/PVMI/PVMX 20

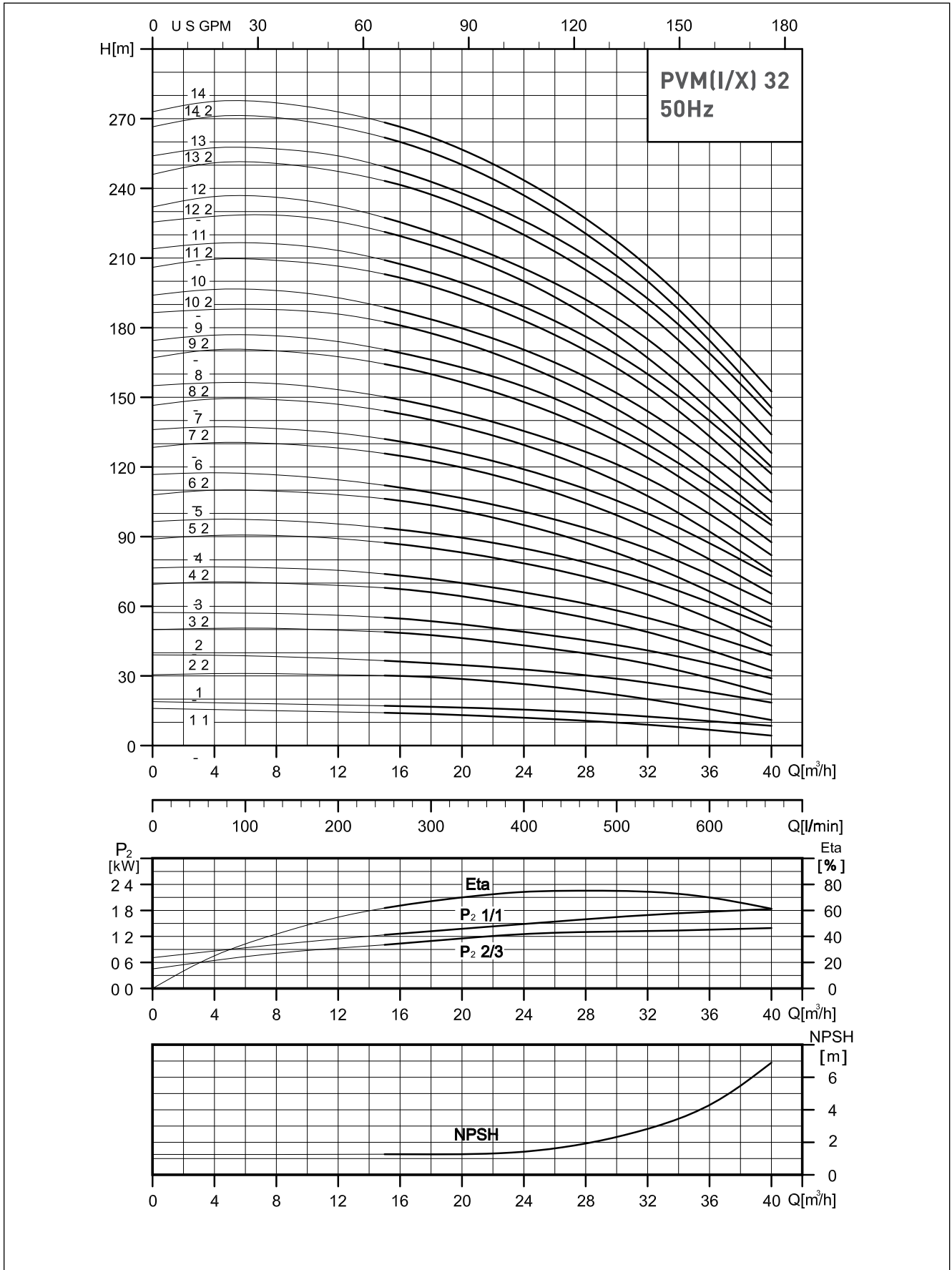
Dimensions [mm]								Dimensions [mm]							
Type	P2	[kg]	H1	H2	D1	D2	D3	Type	P2	[kg]	H1	H2	D1	D2	D3
PVM 20-01	1.1 kW	43.9	400	636	141	115		PVMI/PVMX 20-01	1.1 kW	36.6	397	632	141	115	
PVM 20-02	2.2 kW	55.7	415	682	180	138		PVMI/PVMX 20-02	2.2 kW	48.3	413	680	180	138	
PVM 20-03	4 kW	68.3	465	793	225	160		PVMI/PVMX 20-03	4 kW	60.2	463	791	225	160	
PVM 20-04	5.5 kW	99.4	542	907	248	194	300	PVMI/PVMX 20-04	5.5 kW	92.3	540	905	248	194	300
PVM 20-05	5.5 kW	100.8	587	952	248	194	300	PVMI/PVMX 20-05	5.5 kW	93.8	585	950	248	194	300
PVM 20-06	7.5 kW	108.6	632	1017	248	194	300	PVMI/PVMX 20-06	7.5 kW	101.6	630	1015	248	194	300
PVM 20-07	7.5 kW	110.1	677	1062	248	194	300	PVMI/PVMX 20-07	7.5 kW	103	675	1060	248	194	300
PVM 20-08	11 kW	147.1	799	1297	317	238	350	PVMI/PVMX 20-08	11 kW	140.3	797	1295	317	238	350
PVM 20-10	11 kW	150	889	1387	317	238	350	PVMI/PVMX 20-10	11 kW	143.3	887	1385	317	238	350
PVM 20-12	15 kW	163.1	979	1477	317	238	350	PVMI/PVMX 20-12	15 kW	156.3	977	1475	317	238	350
PVM 20-14	15 kW	166	1069	1567	317	238	350	PVMI/PVMX 20-14	15 kW	159.2	1067	1565	317	238	350
PVM 20-17	18.5 kW	195.4	1204	1746	317	238	350	PVMI/PVMX 20-17	18.5 kW	188.5	1202	1744	317	238	350



# PVM/PVMI/PVMX 32

SURFACE PUMPS - VERTICAL MULTISTAGE

## PERFORMANCE



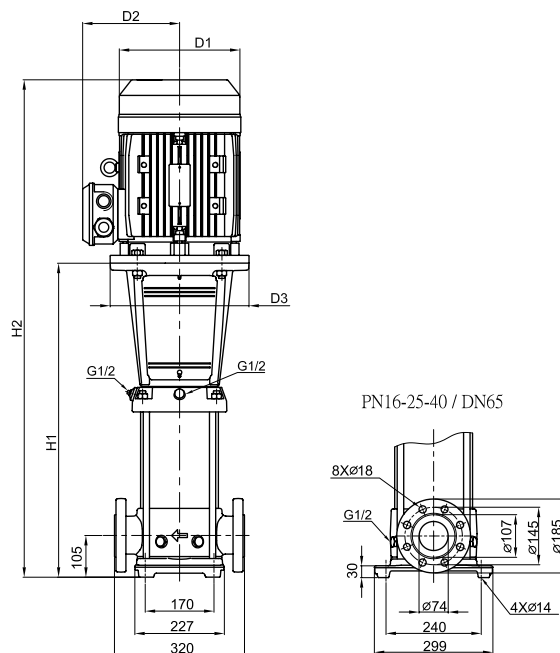
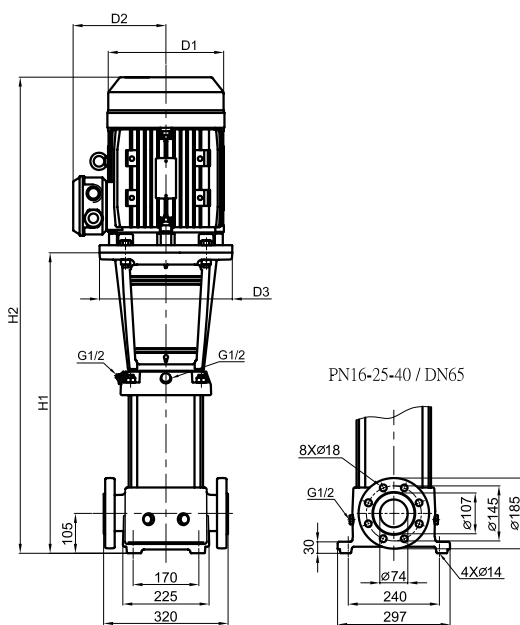


# PVM/PVMI/PVMX 32

## SURFACE PUMPS - VERTICAL MULTISTAGE

### PVM/PVMI/PVMX 32

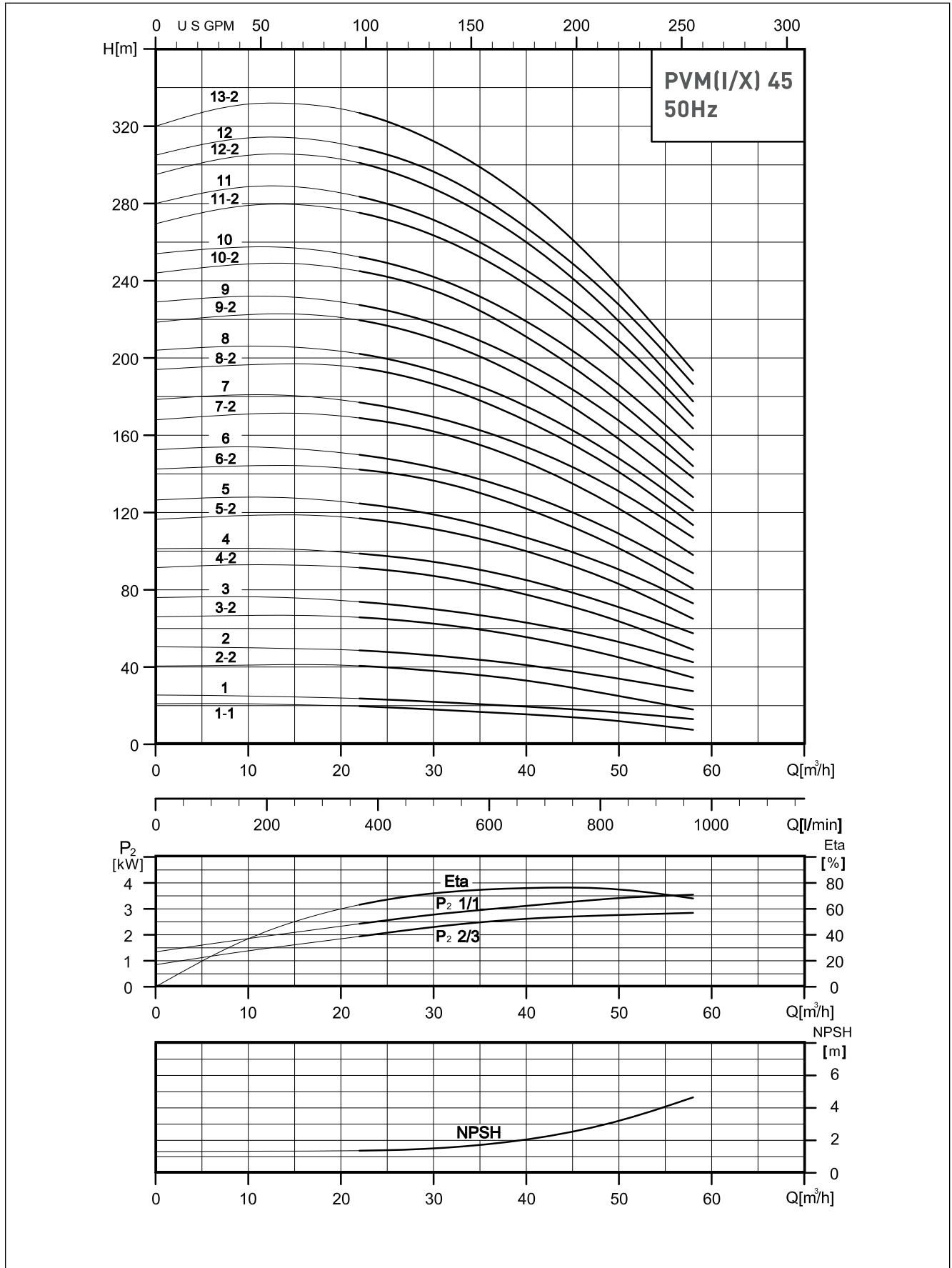
Dimensions [mm]							Dimensions [mm]								
Type	P2	[kg]	H1	H2	D1	D2	D3	Type	P2	[kg]	H1	H2	D1	D2	D3
PVM 32-1-1	1.5 kW	71.5	504	771	180	138	280	PVMI/PVMX 32-1-1	1.5 kW	66.5	504	771	180	138	280
PVM 32-1	2.2 kW	74.3	504	771	180	138	280	PVMI/PVMX 32-1-1	1.5 kW	66.5	504	771	180	138	280
PVM 32-2-2	3 kW	84.2	574	895	194	145	280	PVMI/PVMX 32-1	2.2 kW	69.3	504	771	180	138	280
PVM 32-2	4 kW	87.6	574	902	225	160	280	PVMI/PVMX 32-2-2	3 kW	79.1	574	895	194	145	280
PVM 32-3-2	5.5 kW	110.2	644	1009	248	194	300	PVMI/PVMX 32-2	4 kW	82.5	574	902	225	160	280
PVM 32-3	5.5 kW	110.2	644	1009	248	194	300	PVMI/PVMX 32-3-2	5.5 kW	105.1	644	1009	248	194	300
PVM 32-4-2	7.5 kW	119.5	714	1099	248	194	300	PVMI/PVMX 32-3	5.5 kW	105.1	644	1009	248	194	300
PVM 32-4	7.5 kW	119.5	714	1099	248	194	300	PVMI/PVMX 32-4-2	7.5 kW	114.5	714	1099	248	194	300
PVM 32-5-2	11 kW	163.3	894	1392	317	238	350	PVMI/PVMX 32-4	7.5 kW	114.6	714	1099	248	194	300
PVM 32-5	11 kW	163.3	894	1392	317	238	350	PVMI/PVMX 32-5-2	11 kW	158.2	894	1392	317	238	350
PVM 32-6-2	11 kW	166.3	964	1462	317	238	350	PVMI/PVMX 32-5	11 kW	158.3	894	1392	317	238	350
PVM 32-6	11 kW	166.3	964	1462	317	238	350	PVMI/PVMX 32-6-2	11 kW	161.3	964	1462	317	238	350
PVM 32-7-2	15 kW	179.5	1034	1532	317	238	350	PVMI/PVMX 32-6	11 kW	161.4	964	1462	317	238	350
PVM 32-7	15 kW	179.5	1034	1532	317	238	350	PVMI/PVMX 32-7-2	15 kW	174.6	1034	1532	317	238	350
PVM 32-8-2	15 kW	182.6	1104	1602	317	238	350	PVMI/PVMX 32-7	15 kW	174.6	1034	1532	317	238	350
PVM 32-8	15 kW	182.6	1104	1602	317	238	350	PVMI/PVMX 32-8-2	15 kW	177.9	1104	1602	317	238	350
PVM 32-9-2	18.5 kW	210.6	1174	1716	317	238	350	PVMI/PVMX 32-8	15 kW	177.9	1104	1602	317	238	350
PVM 32-9	18.5 kW	210.6	1174	1716	317	238	350	PVMI/PVMX 32-9-2	18.5 kW	205.5	1174	1716	317	238	350
PVM 32-10-2	18.5 kW	212.7	1244	1786	317	238	350	PVMI/PVMX 32-9	18.5 kW	205.6	1174	1716	317	238	350
PVM 32-10	18.5 kW	213.7	1244	1786	317	238	350	PVMI/PVMX 32-10-2	18.5 kW	208.1	1244	1786	317	238	350
PVM 32-11-2	22 kW	258.8	1314	1894	358	265	350	PVMI/PVMX 32-10	18.5 kW	208.2	1244	1786	317	238	350
PVM 32-11	22 kW	258.8	1314	1894	358	265	350	PVMI/PVMX 32-11-2	22 kW	253.6	1314	1894	358	265	350
PVM 32-12-2	22 kW	260.8	1384	1964	358	265	350	PVMI/PVMX 32-11	22 kW	253.6	1314	1894	358	265	350
PVM 32-12	22 kW	260.8	1384	1964	358	265	350	PVMI/PVMX 32-12-2	22 kW	256.3	1384	1964	358	265	350
PVM 32-13-2	30 kW	328.2	1454	2114	420	295	400	PVMI/PVMX 32-12	22 kW	256.3	1384	1964	358	265	350
PVM 32-13	30 kW	328.2	1454	2114	420	295	400	PVMI/PVMX 32-13-2	30 kW	323.6	1454	2114	420	295	400
PVM 32-14-2	30 kW	331.3	1524	2184	420	295	400	PVMI/PVMX 32-13	30 kW	323.6	1454	2114	420	295	400
PVM 32-14	30 kW	331.3	1524	2184	420	295	400	PVMI/PVMX 32-14-2	30 kW	326.3	1524	2184	420	295	400



# PVM/PVMI/PVMX 45

SURFACE PUMPS - VERTICAL MULTISTAGE

## PERFORMANCE

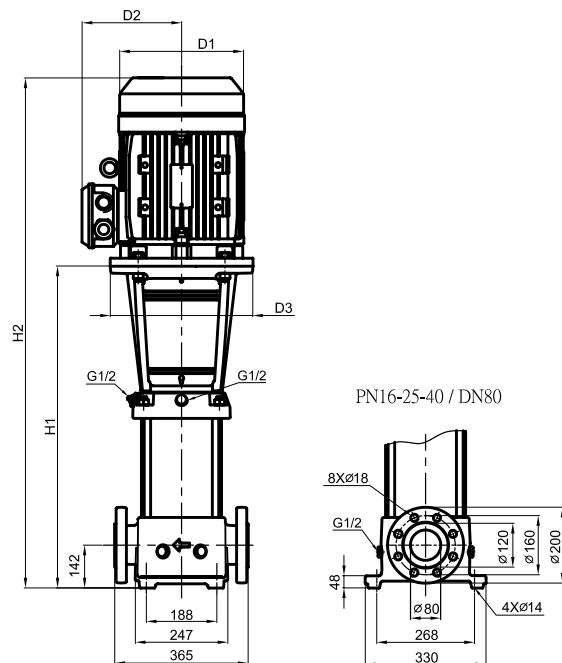
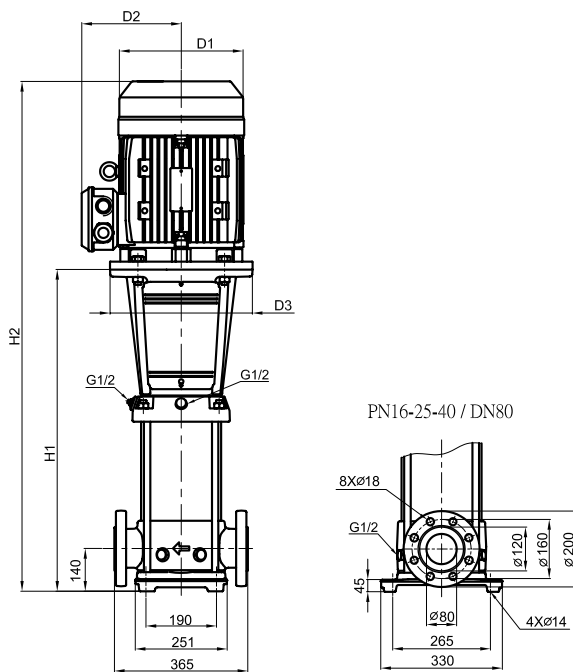


# PVM/PVMI/PVMX 45

## SURFACE PUMPS - VERTICAL MULTISTAGE

### PVM/PVMI/PVMX 45

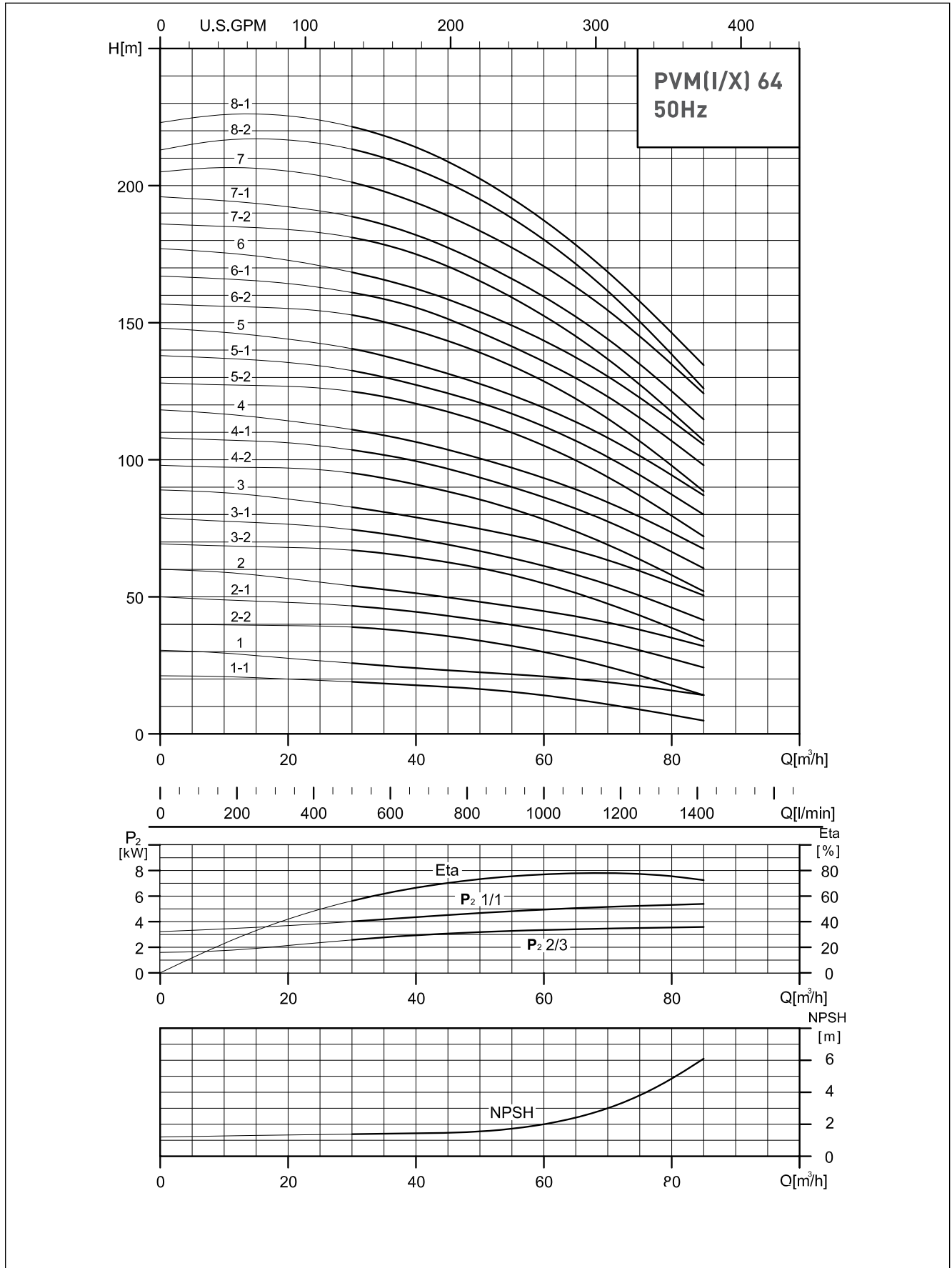
Dimensions [mm]								Dimensions [mm]							
Type	P2	[kg]	H1	H2	D1	D2	D3	Type	P2	[kg]	H1	H2	D1	D2	D3
PVM 45-1-1	3 kW	91.7	560	877	194	145	280	PVMI/PVMX 45-1-1	3 kW	82.9	559	880	194	145	280
PVM 45-1	4 kW	95.1	560	889	160	225	280	PVMI/PVMX 45-1	4 kW	86.3	559	887	160	225	280
PVM 45-2-2	5.5 kW	118.3	640	1006	248	194	300	PVMI/PVMX 45-2-2	5.5 kW	109.5	639	1004	248	194	300
PVM 45-2	7.5 kW	124.6	640	1026	248	194	300	PVMI/PVMX 45-2	7.5 kW	115.8	639	1024	248	194	300
PVM 45-3-2	11 kW	169	830	1329	317	238	350	PVMI/PVMX 45-3-2	11 kW	160.2	829	1327	317	238	350
PVM 45-3	11 kW	169	830	1329	317	238	350	PVMI/PVMX 45-3	11 kW	160.2	829	1327	317	238	350
PVM 45-4-2	15 kW	182.9	910	1409	317	238	350	PVMI/PVMX 45-4-2	15 kW	174.1	909	1407	317	238	350
PVM 45-4	15 kW	182.9	910	1409	317	238	350	PVMI/PVMX 45-4	15 kW	174.1	909	1407	317	238	350
PVM 45-5-2	18.5 kW	211.6	990	1533	317	238	350	PVMI/PVMX 45-5-2	18.5 kW	202.8	989	1531	317	238	350
PVM 45-5	18.5 kW	211.6	990	1533	317	238	350	PVMI/PVMX 45-5	18.5 kW	202.8	989	1531	317	238	350
PVM 45-6-2	22 kW	258.1	1070	1650	358	265	350	PVMI/PVMX 45-6-2	22 kW	249.3	1069	1649	358	265	350
PVM 45-6	22 kW	258.1	1070	1650	358	265	350	PVMI/PVMX 45-6	22 kW	249.3	1069	1649	358	265	350
PVM 45-7-2	30 kW	326.4	1150	1810	420	295	400	PVMI/PVMX 45-7-2	30 kW	317.7	1149	1809	420	295	400
PVM 45-7	30 kW	326.5	1150	1810	420	295	400	PVMI/PVMX 45-7	30 kW	317.7	1149	1809	420	295	400
PVM 45-8-2	30 kW	330.2	1230	1890	420	295	400	PVMI/PVMX 45-8-2	30 kW	321.4	1229	1889	420	295	400
PVM 45-8	30 kW	331.3	1230	1890	420	295	400	PVMI/PVMX 45-8	30 kW	321.5	1229	1889	420	295	400
PVM 45-9-2	30 kW	334	1310	1970	420	295	400	PVMI/PVMX 45-9-2	30 kW	325.2	1309	1969	420	295	400
PVM 45-9	37 kW	347	1310	1970	420	295	400	PVMI/PVMX 45-9	37 kW	338.2	1309	1969	420	295	400
PVM 45-10-2	37 kW	350.7	1390	2050	420	295	400	PVMI/PVMX 45-10-2	37 kW	341.9	1389	2049	420	295	400
PVM 45-10	37 kW	350.7	1390	2050	420	295	400	PVMI/PVMX 45-10	37 kW	341.9	1389	2049	420	295	400
PVM 45-11-2	45 kW	412.5	1470	2160	470	325	450	PVMI/PVMX 45-11-2	45 kW	403.7	1469	2159	470	325	450
PVM 45-11	45 kW	412.5	1470	2160	470	325	450	PVMI/PVMX 45-11	45 kW	403.7	1469	2159	470	325	450
PVM 45-12-2	45 kW	416.2	1550	2240	470	325	450	PVMI/PVMX 45-12-2	45 kW	407.4	1549	2239	470	325	450
PVM 45-12	45 kW	416.2	1550	2240	470	325	450	PVMI/PVMX 45-12	45 kW	407.4	1549	2239	470	325	450
PVM 45-13-2	45 kW	419.9	1630	2320	470	325	450	PVMI/PVMX 45-13-2	45 kW	411.1	1629	2319	470	325	450



# PVM/PVMI/PVMX 64

SURFACE PUMPS - VERTICAL MULTISTAGE

## PERFORMANCE

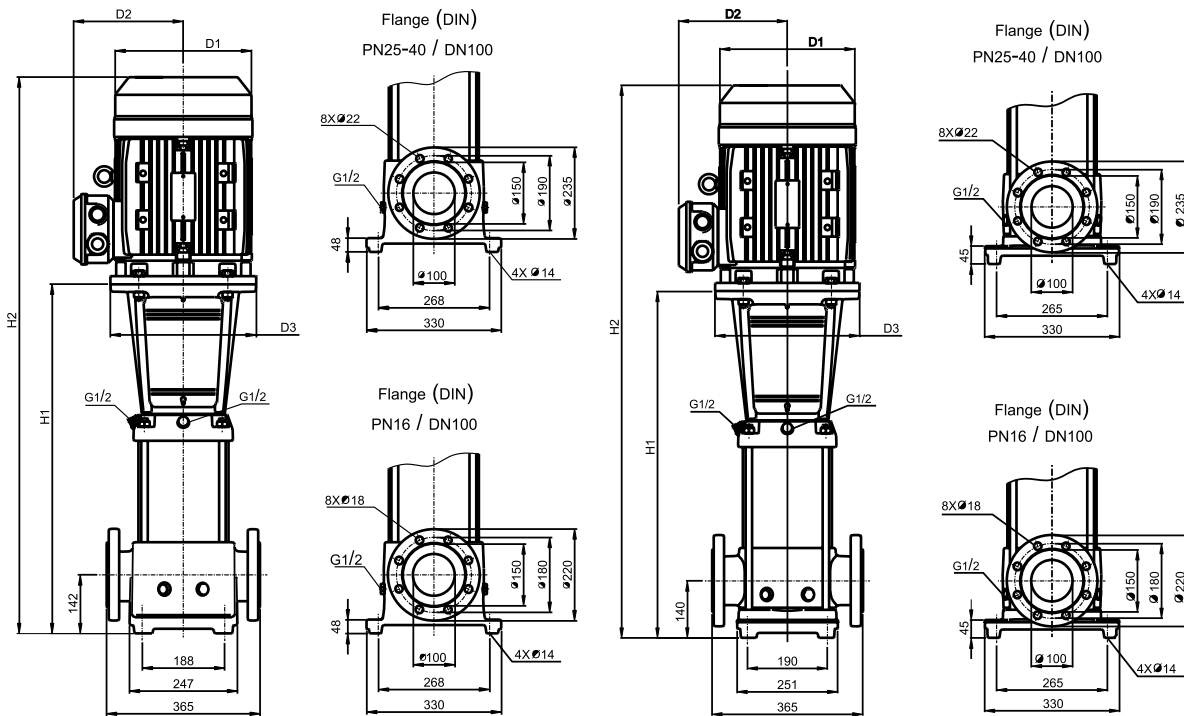


# PVM/PVMI/PVMX 64

## SURFACE PUMPS - VERTICAL MULTISTAGE

### PVM/PVMI/PVMX 64

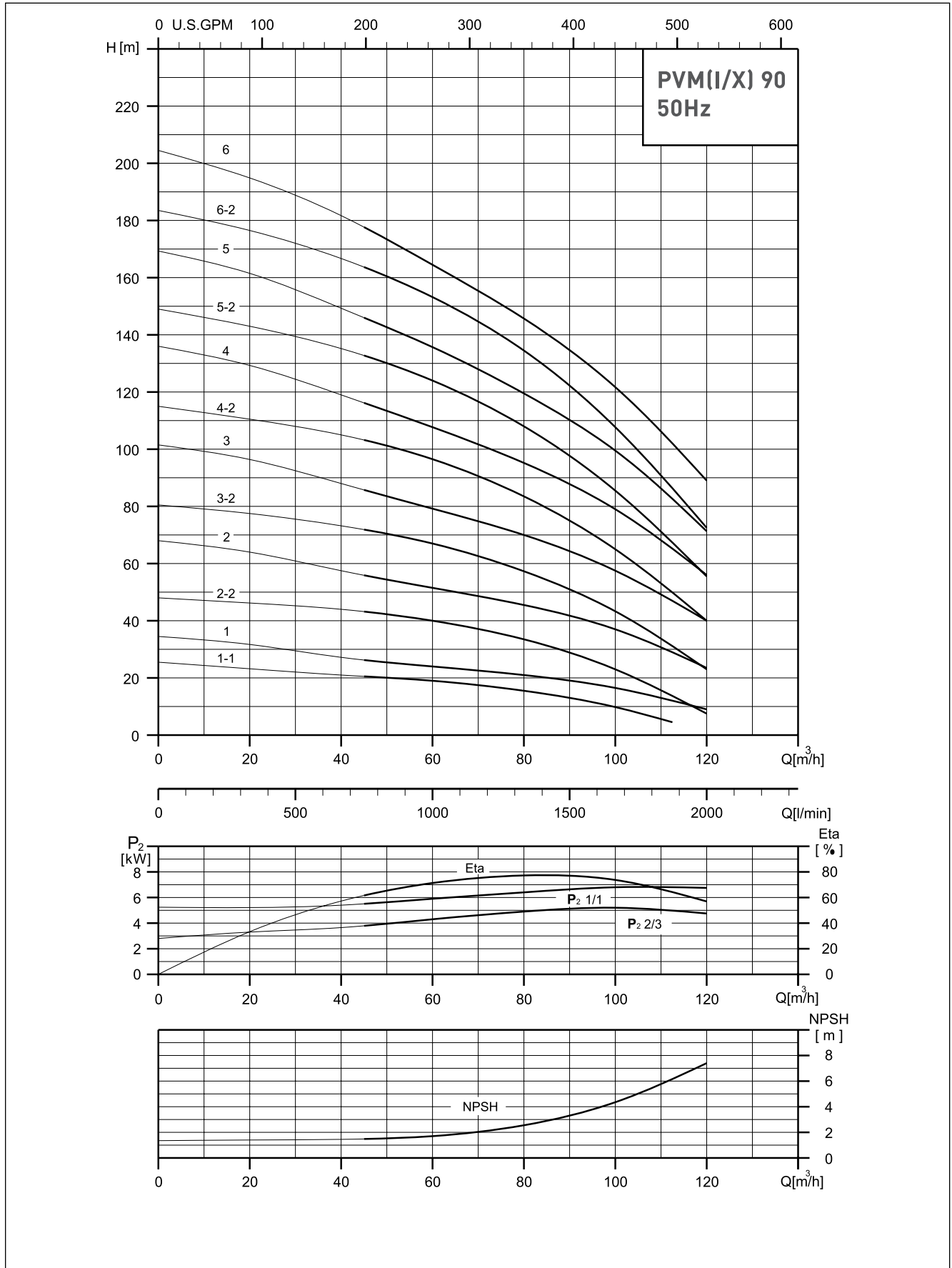
Dimensions [mm]							Dimensions [mm]								
Type	P2	[kg]	H1	H2	D1	D2	D3	Type	P2	[kg]	H1	H2	D1	D2	D3
PVM 64-1-1	4 kW	88.9	563	891	225	160	280	PVMI/PVMX 64-1-1	4 kW	81.8	563	891	225	160	280
PVM 64-1	5.5 kW	108.3	563	928	248	194	300	PVMI/PVMX 64-1	5.5 kW	101.3	563	928	248	194	300
PVM 64-2-2	7.5 kW	118.7	646	1031	248	194	300	PVMI/PVMX 64-2-2	7.5 kW	111.7	646	1031	248	194	300
PVM 64-2-1	11 kW	159.3	756	1254	317	238	350	PVMI/PVMX 64-2-1	11 kW	152.3	756	1254	317	238	350
PVM 64-2	11 kW	159.3	756	1254	317	238	350	PVMI/PVMX 64-2	11 kW	152.3	756	1254	317	238	350
PVM 64-3-2	15 kW	174	838	1336	317	238	350	PVMI/PVMX 64-3-2	15 kW	166.5	838	1336	317	238	350
PVM 64-3-1	15 kW	174	838	1336	317	238	350	PVMI/PVMX 64-3-1	15 kW	166.5	838	1336	317	238	350
PVM 64-3	18.5 kW	198.9	838	1380	317	238	350	PVMI/PVMX 64-3	18.5 kW	191.4	838	1380	317	238	350
PVM 64-4-2	18.5 kW	202.9	920	1463	317	238	350	PVMI/PVMX 64-4-2	18.5 kW	195.4	920	1463	317	238	350
PVM 64-4-1	22 kW	245.7	920	1500	358	265	350	PVMI/PVMX 64-4-1	22 kW	238.1	920	1500	358	265	350
PVM 64-4	22 kW	245.7	920	1500	358	265	350	PVMI/PVMX 64-4	22 kW	238.1	920	1500	358	265	350
PVM 64-5-2	30 kW	314.3	1003	1663	420	295	400	PVMI/PVMX 64-5-2	30 kW	306.7	1003	1663	420	295	400
PVM 64-5-1	30 kW	314.3	1003	1663	420	295	400	PVMI/PVMX 64-5-1	30 kW	306.7	1003	1663	420	295	400
PVM 64-5	30 kW	314.3	1003	1663	420	295	400	PVMI/PVMX 64-5	30 kW	306.7	1003	1663	420	295	400
PVM 64-6-2	30 kW	318.2	1086	1746	420	295	400	PVMI/PVMX 64-6-2	30 kW	310.7	1086	1746	420	295	400
PVM 64-6-1	37 kW	331.2	1086	1746	420	295	400	PVMI/PVMX 64-6-1	37 kW	323.7	1086	1746	420	295	400
PVM 64-6	37 kW	331.2	1086	1746	420	295	400	PVMI/PVMX 64-6	37 kW	323.7	1086	1746	420	295	400
PVM 64-7-2	37 kW	335.3	1168	1828	420	295	400	PVMI/PVMX 64-7-2	37 kW	327.7	1168	1828	420	295	400
PVM 64-7-1	37 kW	335.3	1168	1828	420	295	400	PVMI/PVMX 64-7-1	37 kW	327.7	1168	1828	420	295	400
PVM 64-7	45 kW	393.4	1172	1862	470	325	450	PVMI/PVMX 64-7	45 kW	385.8	1172	1862	470	325	450
PVM 64-8-2	45 kW	397.5	1254	1944	470	325	450	PVMI/PVMX 64-8-2	45 kW	390	1254	1944	470	325	450
PVM 64-8-1	45 kW	397.5	1254	1944	470	325	450	PVMI/PVMX 64-8-1	45 kW	390	1254	1944	470	325	450



# PVM/PVMI/PVMX 90

## SURFACE PUMPS - VERTICAL MULTISTAGE

### PERFORMANCE

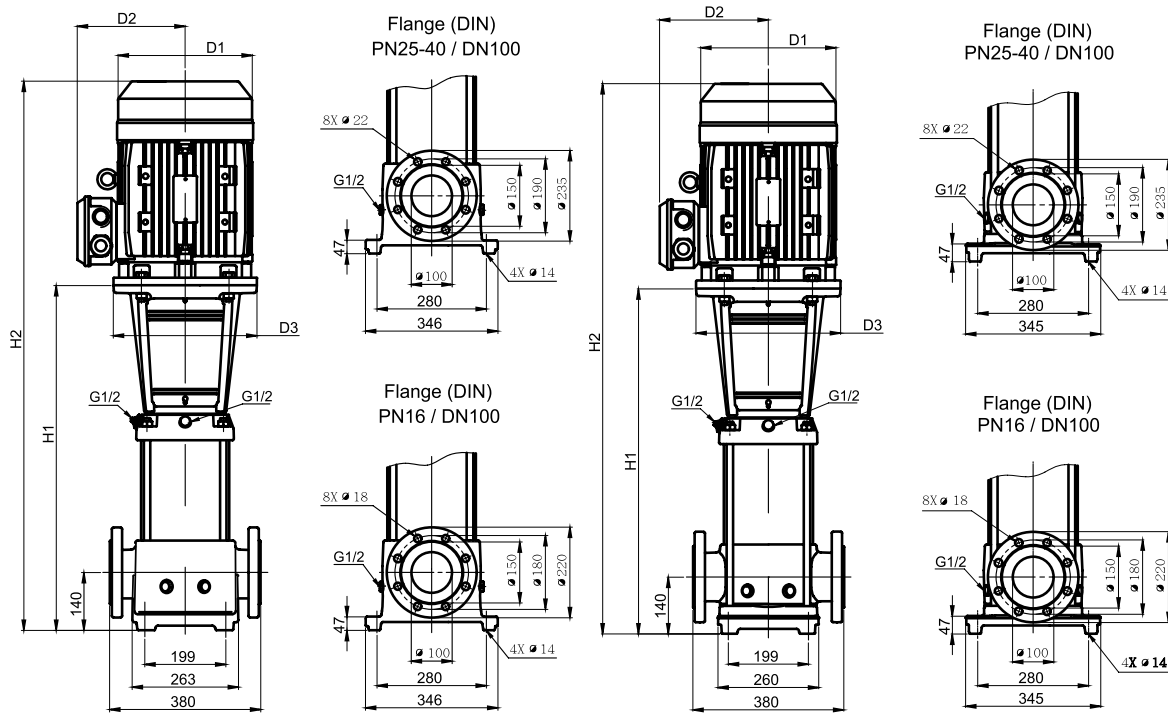


# PVM/PVMI/PVMX 90

## SURFACE PUMPS - VERTICAL MULTISTAGE

### PVM/PVMI/PVMX 90

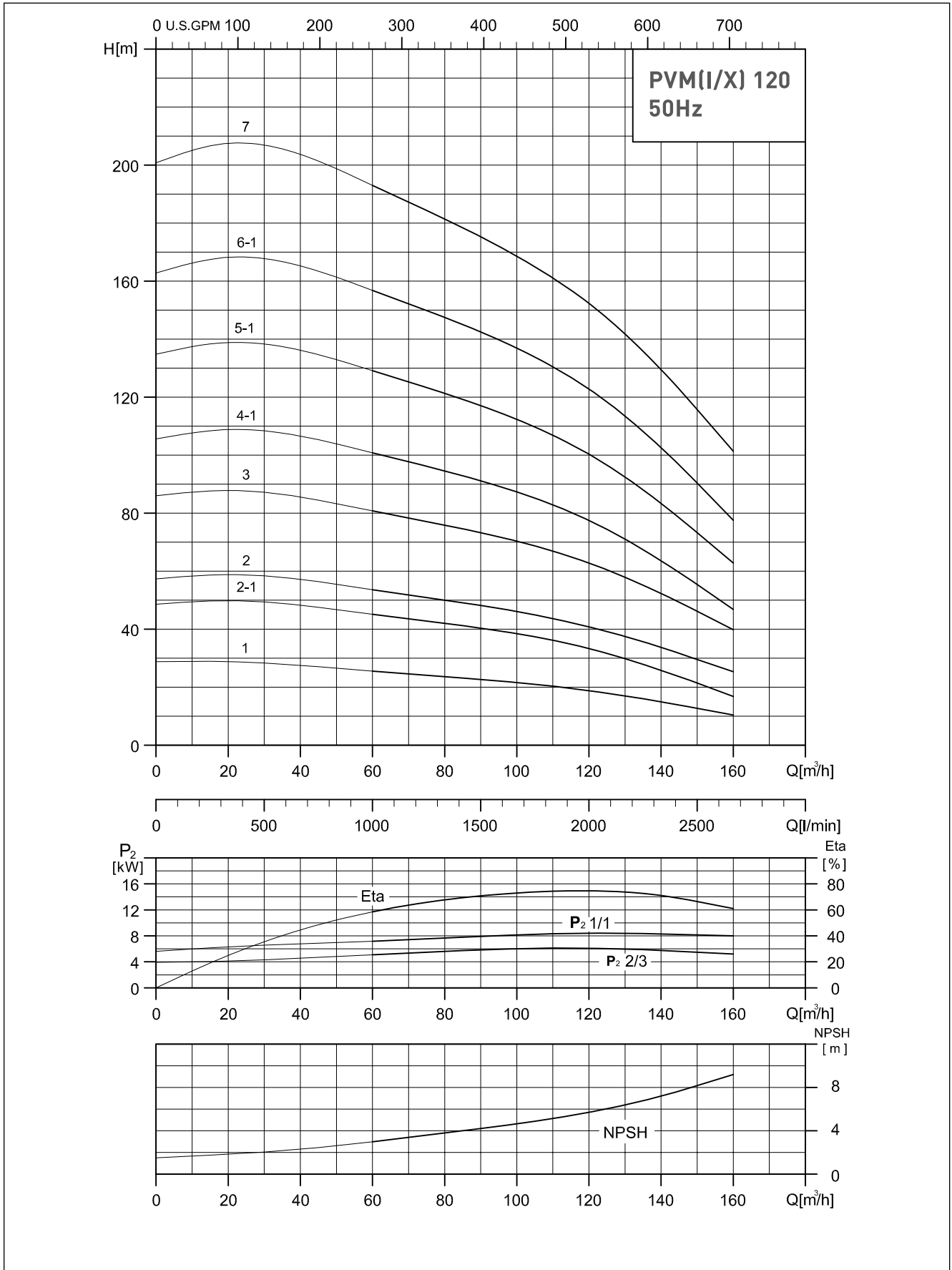
			Dimensions [mm]								Dimensions [mm]				
Type	P2	[kg]	H1	H2	D1	D2	D3	Type	P2	[kg]	H1	H2	D1	D2	D3
PVM 90-1-1	5.5 kW	122.2	572	937	248	194	300	PVMI/PVMX 90-1-1	5.5 kW	112.1	576	941	248	194	300
PVM 90-1	7.5 kW	128.5	572	957	248	194	300	PVMI/PVMX 90-1	7.5 kW	118.4	576	961	248	194	300
PVM 90-2-2	11 kW	174.4	774	1272	317	298	350	PVMI/PVMX 90-2-2	11 kW	164.2	778	1276	317	298	350
PVM 90-2	15 kW	184.5	774	1272	317	298	350	PVMI/PVMX 90-2	15 kW	174.3	778	1276	317	298	350
PVM 90-3-2	18.5 kW	214.7	866	1408	317	298	350	PVMI/PVMX 90-3-2	18.5 kW	204.4	870	1412	317	298	350
PVM 90-3	22 kW	257.5	866	1446	358	265	350	PVMI/PVMX 90-3	22 kW	247.2	870	1450	358	265	350
PVM 90-4-2	30 kW	327.3	958	1618	420	295	400	PVMI/PVMX 90-4-2	30 kW	316.9	962	1622	420	295	400
PVM 90-4	30 kW	327.3	958	1618	420	295	400	PVMI/PVMX 90-4	30 kW	316.9	962	1622	420	295	400
PVM 90-5-2	37 kW	346.9	1050	1710	420	295	400	PVMI/PVMX 90-5-2	37 kW	336.9	1054	1714	420	295	400
PVM 90-5	37 kW	346.9	1050	1710	420	295	400	PVMI/PVMX 90-5	37 kW	337	1054	1714	420	295	400
PVM 90-6-2	45 kW	410.2	1142	1832	470	325	450	PVMI/PVMX 90-6-2	45 kW	400	1146	1836	470	325	450
PVM 90-6	45 kW	410.3	1142	1832	470	325	450	PVMI/PVMX 90-6	45 kW	400.1	1146	1836	470	325	450



# PVM/PVMI/PVMX 120

## SURFACE PUMPS - VERTICAL MULTISTAGE

### PERFORMANCE



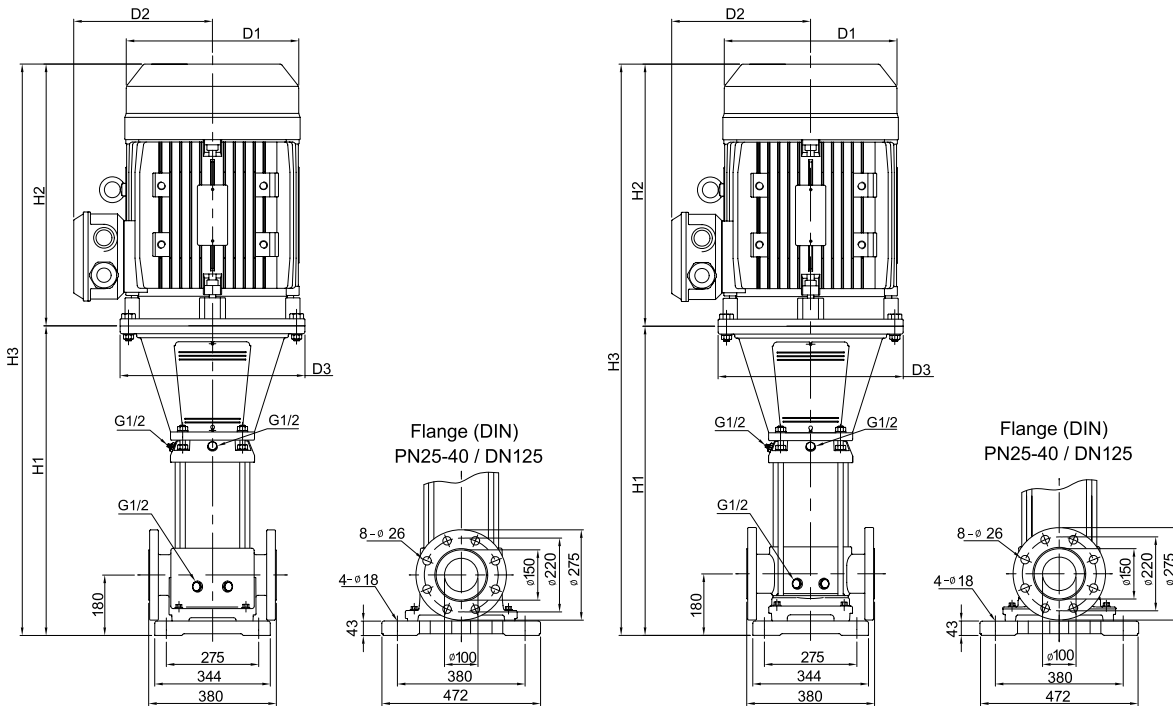


# PVM/PVMI/PVMX 120

## SURFACE PUMPS - VERTICAL MULTISTAGE

### PVM/PVMI/PVMX 120

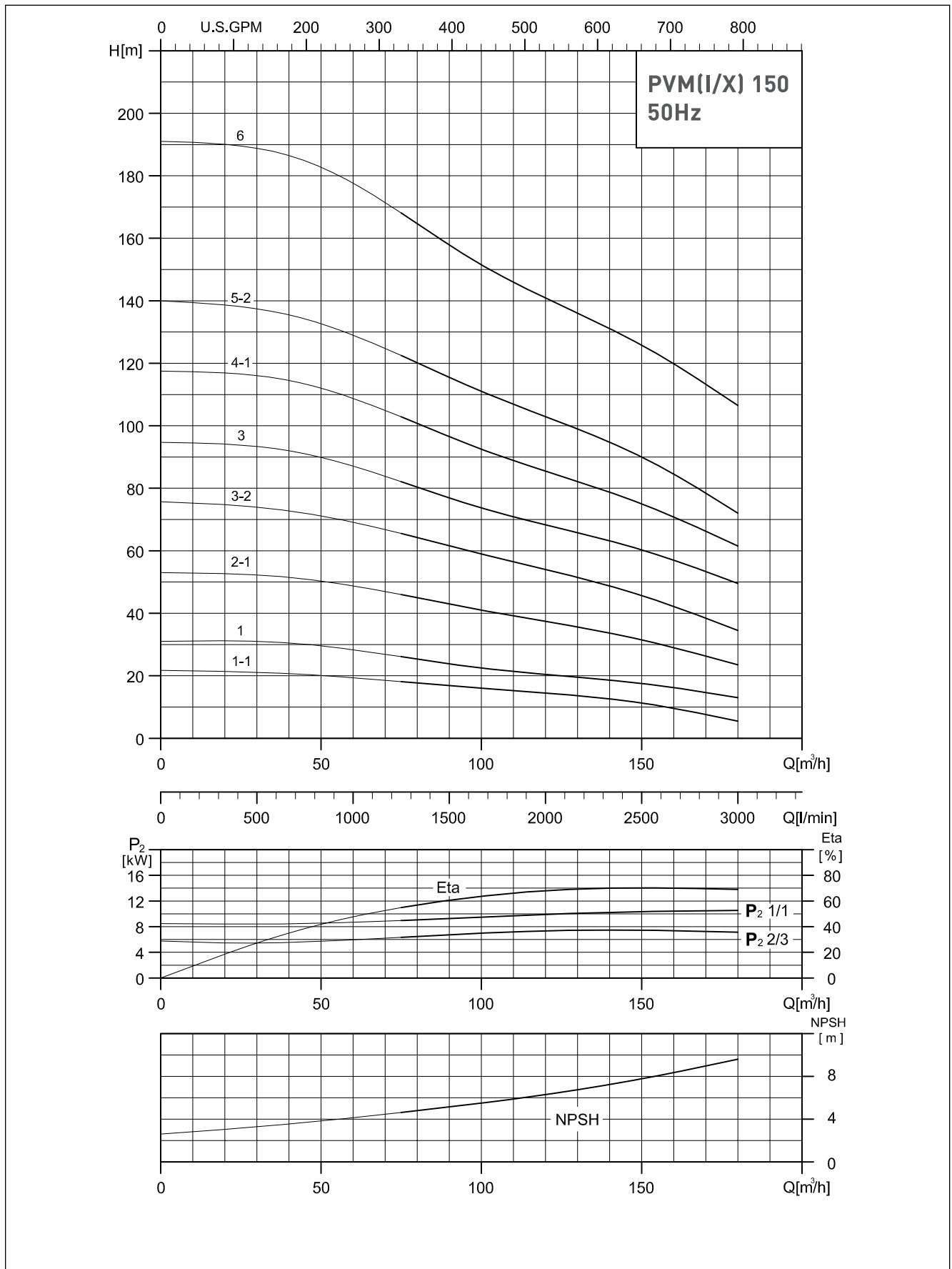
Dimensions [mm]								Dimensions [mm]									
Type	P2 [kW]	H1	H2	H3	D1	D2	D3	Type	P2 [kW]	H1	H2	H3	D1	D2	D3		
PVM 120-1	11 kW	200.1	834	498	1332	317	238	350	PVMI/ PVMX 120-1	11 kW	184.3	837	498	1335	317	238	350
PVM 120-2-1	18.5 kW	245.1	989.5	542	1532	317	238	350	PVMI/ PVMX 120-2-1	18.5 kW	229.5	992.5	542	1535	317	238	350
PVM 120-2	22 kW	291.8	989.5	580	1569.5	358	265	350	PVMI/ PVMX 120-2	22 kW	276.1	992.5	580	1572.5	358	265	350
PVM 120-3	30 kW	362.5	1145	660	1805	420	295	400	PVMI/ PVMX 120-3	30 kW	346.9	1149	660	1809	420	295	400
PVM 120-4-1	37 kW	385.5	1300.5	660	1960.5	420	295	400	PVMI/ PVMX 120-4-1	37 kW	370.1	1303.5	660	1963.5	420	295	400
PVM 120-5-1	45 kW	453.6	1460	690	2150	470	325	450	PVMI/ PVMX 120-5-1	45 kW	438.3	1463	690	2153	470	325	450
PVM 120-6-1	55 kW	578.8	1641.5	770	2411.5	510	355	550	PVMI/ PVMX 120-6-1	55 kW	563.8	1644.5	770	2414.5	510	355	550
PVM 120-7	75 kW	751.4	1797	845	2642	580	410	550	PVMI/ PVMX 120-7	75 kW	736.5	1800	845	2645	580	410	550



# PVM/PVMI/PVMX 150

## SURFACE PUMPS - VERTICAL MULTISTAGE

### PERFORMANCE

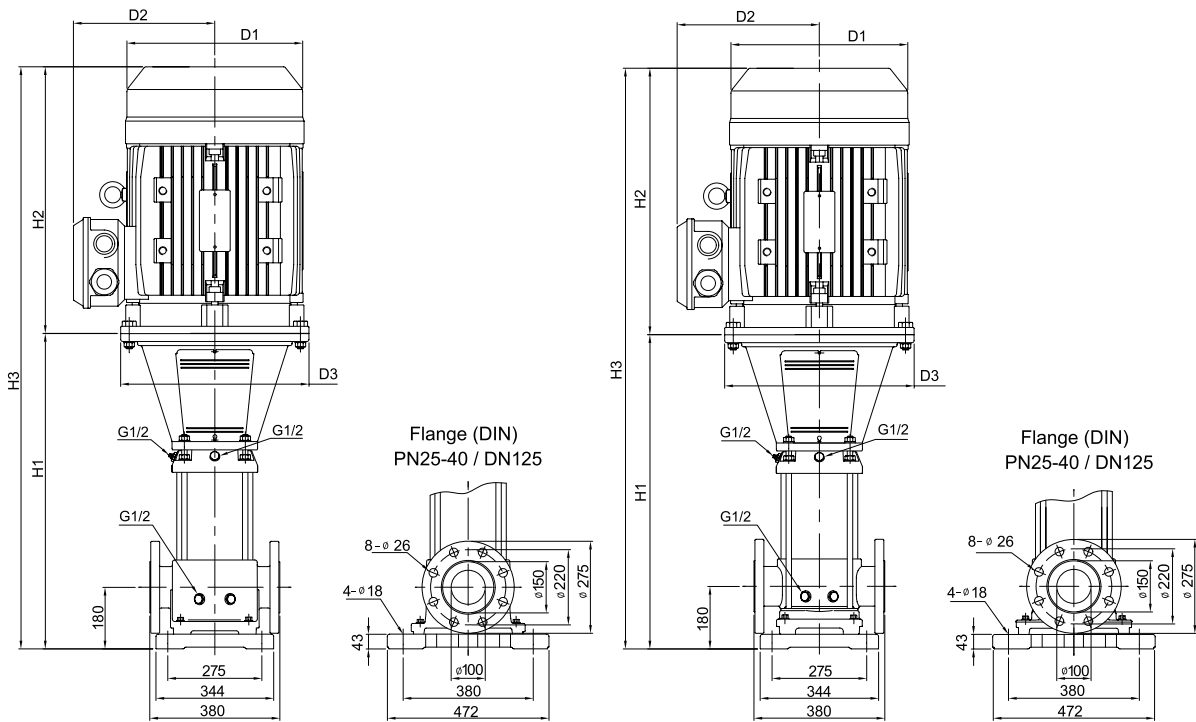


# PVM/PVMI/PVMX 150

## SURFACE PUMPS - VERTICAL MULTISTAGE

### PVM/PVMI/PVMX 150

Dimensions [mm]								Dimensions [mm]									
Type	P2 [kW]		H1	H2	H3	D1	D2	D3	Type	P2 [kW]		H1	H2	H3	D1	D2	D3
PVM 150-1-1	11 kW	200	834	498	1332	317	238	350	PVMI/ PVMX 150-1-1	11 kW	173.4	837	498	1335	317	238	350
PVM 150-1	15 kW	210.1	834	542	1376	317	238	350	PVMI/PVMX 150-1	15 kW	183.5	837	542	1379	317	238	350
PVM 150-2-1	22 kW	287.8	989.5	580	1569.5	358	265	350	PVMI/ PVMX 150-2-1	22 kW	271.6	992.5	580	1572.5	358	265	350
PVM 150-3-2	30 kW	362.3	1145	660	1805	420	295	400	PVMI/ PVMX 150-3-2	30 kW	346.2	1148	660	1808	420	295	400
PVM 150-3	37 kW	375.4	1145	660	1805	420	295	400	PVMI/PVMX 150-3	37 kW	359.2	1148	660	1808	420	295	400
PVM 150-4-1	45 kW	443.4	1304.5	690	1994.5	470	325	450	PVMI/ PVMX 150-4-1	45 kW	427.4	1307.5	690	1997.5	470	325	450
PVM 150-5-2	55 kW	568.7	1486	770	2256	510	355	550	PVMI/ PVMX 150-5-2	55 kW	552.8	1489	770	2259	510	355	550
PVM 150-6	75 kW	741	1641.5	845	2486.5	580	410	550	PVMI/PVMX 150-6	75 kW	725.5	1644.5	845	2489.5	580	410	550



# PVM/PVMI/PVMX

SURFACE PUMPS - VERTICAL MULTISTAGE