

Pentair Water Italy S.r.l.
 Via Masaccio, 13
 56010 Lignano (PI)
 ITALY

Drawn **A.Bertola**

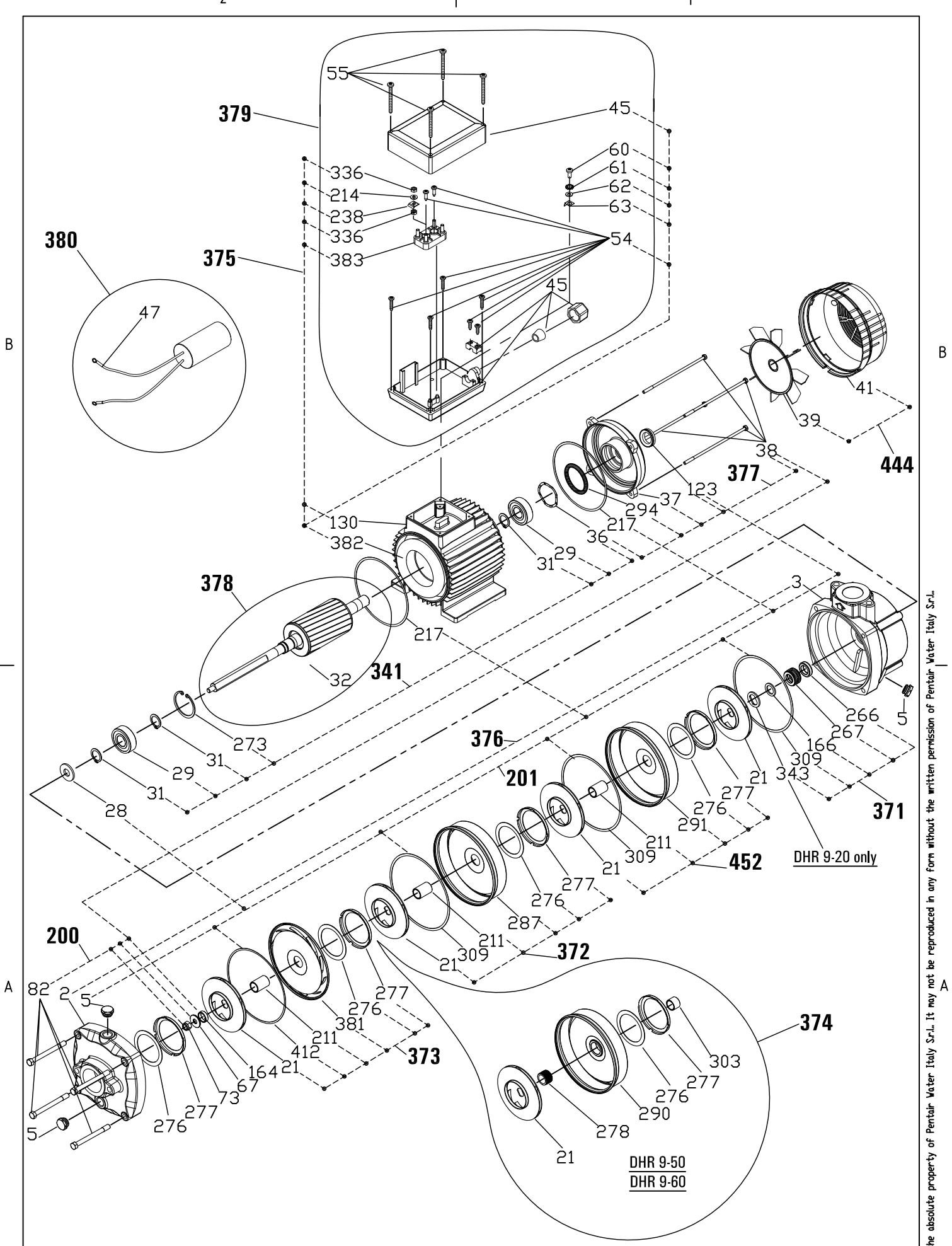
Approved **M.Bernacca**

Title **DHR 2&4 -50/60Hz**

Date (dd/mm/yy)
 08/09/2010

Dwg # **DR070001_03**

Sheet **1 of 1**



Pentair Water Italy S.r.l.
Via Masaccio, 13
56010 Lugnano (PI)
ITALY

Drawn **A. Bertola**
Approved **M. Bernacca**

Title **DHR 9 -50/60Hz**
Date (dd/mm/yy) **24/04/2008**

Dwg # **DR080003_03**

Sheet **1 of 1**

This drawing is the absolute property of Pentair Water Italy S.r.l. It may not be reproduced in any form without the written permission of Pentair Water Italy S.r.l.