

PRATIKA

PUMPS FOR OPEN AND DRILLED WELLS

- Ø 32 mm elbow fitting hose supplied
- Automatic version with float switch
- Ready to use
- 100% stainless steel



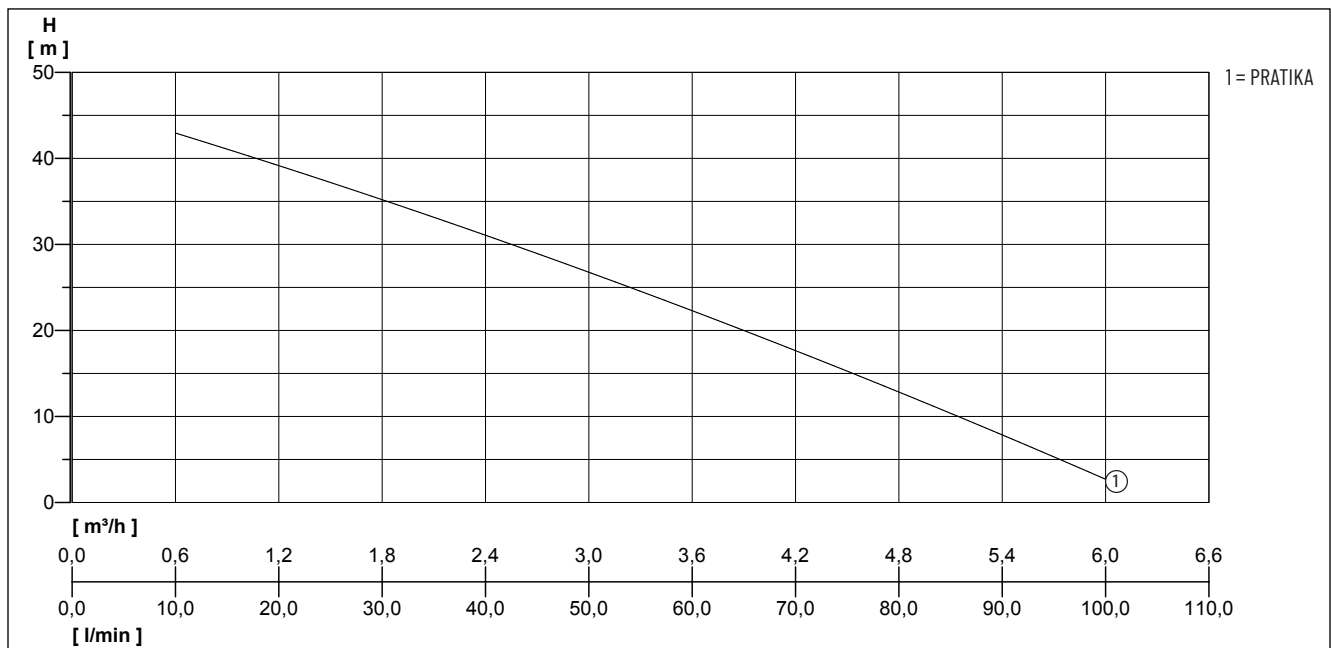
DESCRIPTION

PRATIKA submersible pumps are ready to use and install in traditional wells, water deposits, collection tanks, fresh water courses, lakes etc.

APPLICATIONS

- Lifting of water from traditional wells
- Installations in tanks inside homes for the pressurization of systems.
- Small automatic systems for garden irrigation
- Surface irrigation

PERFORMANCE



We reserve the right to change specifications without notice. Pump performance is subject to ISO 9906 ISO 9906:2012 - Grade 3B tolerances.

Type	Flow rate Q [m³/h]	0	1.2	2.4	3.6	4.8	6
PRATIKA-MAN/PRATIKA-AUT	Delivery head H [m]	46	39	31	23	12	3

PRATIKA

PUMPS FOR OPEN AND DRILLED WELLS

MECHANICAL DATA

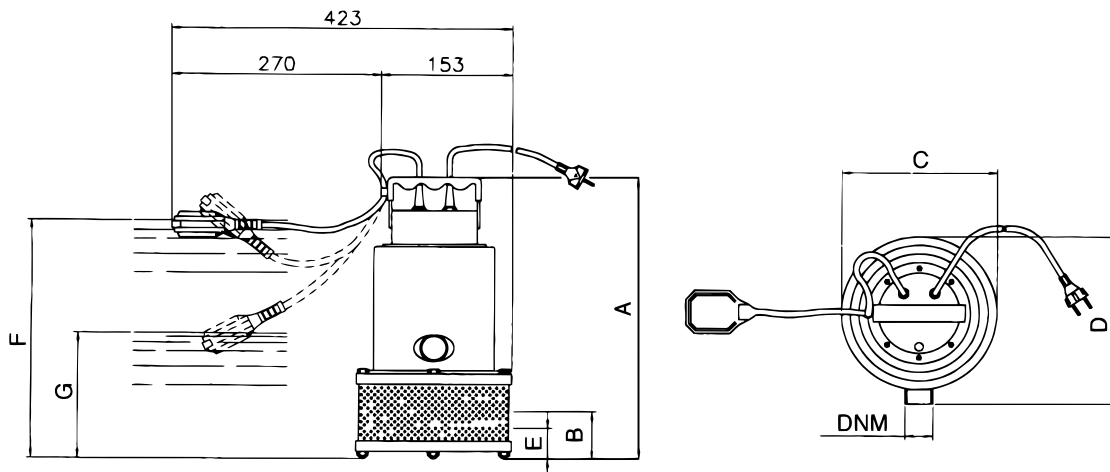
Free passage	1.5 mm	Diffuser	Technopolymer
Bearing	Self-lubricating ball bearings.	Mechanical seal	Graphite. Lubricated in oil chamber
Oil chamber	Yes	Counterface	Ceramic. Lubricated in oil chamber
Shaft	Stainless steel X5 CrNi 1810 (AISI 304) with ceramic bushing in the points of wear of the seals.	Type of liquid	clean water without suspended solids or abrasive material
Impeller	Technopolymer	Temperature of the liquid max.	40 °C
Pump housing	Stainless steel X5 CrNi 1810 (AISI 304)	Saughöhe max.	10 m
Submersible	Yes	Weight	9 kg

ELECTRICAL DATA

Voltage	1/N/PE~230 V	Type of enclosure	IP 68
Motor rating P1	1.2 kW	Insulation class	F
Motor rating P2	0.8 kW	Plug	Safety
Current	5 A	Rotation speed	2850 rpm
Power line	15m H07RN-F		

PRATIKA

Type	Code No.
PRATIKA-MAN	N3051010-B
PRATIKA-AUT	N3051000-B



DIMENSIONS [mm]

Type	A	B	C	D	F	G	DNM	E
PRATIKA-MAN	406	162	178	182	490	260	1 1/4"	50
PRATIKA-AUT	406	162	178	182	490	260	1 1/4"	60