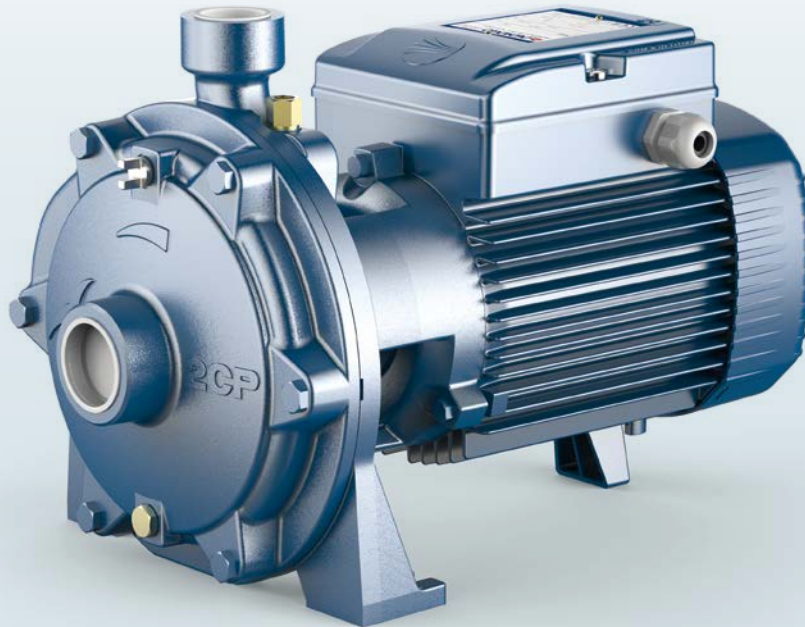


2CP

Centrifugal twin-impeller pumps

-  Clean water
-  Domestic use
-  Civil use
-  Industrial use



PERFORMANCE RANGE

- Flow rate up to **450 l/min** (27 m³/h)
- Head up to **112 m**

APPLICATION LIMITS

- Manometric suction lift up to **7 m**
- Liquid temperature between **-10 °C** and **+90 °C**
- Ambient temperature between **-10 °C** and **+40 °C**
- Max. working pressure **10 bar**
(**6 bar** for 2CP25/130)
- Continuous service **S1**

CONSTRUCTION AND SAFETY STANDARDS

EN 60335-1
IEC 60335-1
CEI 61-150

EN 60034-1
IEC 60034-1
CEI 2-3



INSTALLATION AND USE

Suitable for use with clean water and with liquids that are not chemically aggressive towards the materials from which the pump is made. The high performance and adaptability to a wide range of applications make them the ideal choice in domestic, civil and industrial applications, in particular for the distribution of water in combination with pressure tanks for boosting pressure in the network and for firefighting sets.

Installation needs to be undertaken in well ventilated closed areas or anyway protected from bad weather.

OPTIONS AVAILABLE ON REQUEST

- Special mechanical seal
- Other voltages or 60 Hz frequency
- IPX5 class protection for:
 - 2CP32/200 – 2CP40/180
 - 2CP32/210 – 2CP40/200

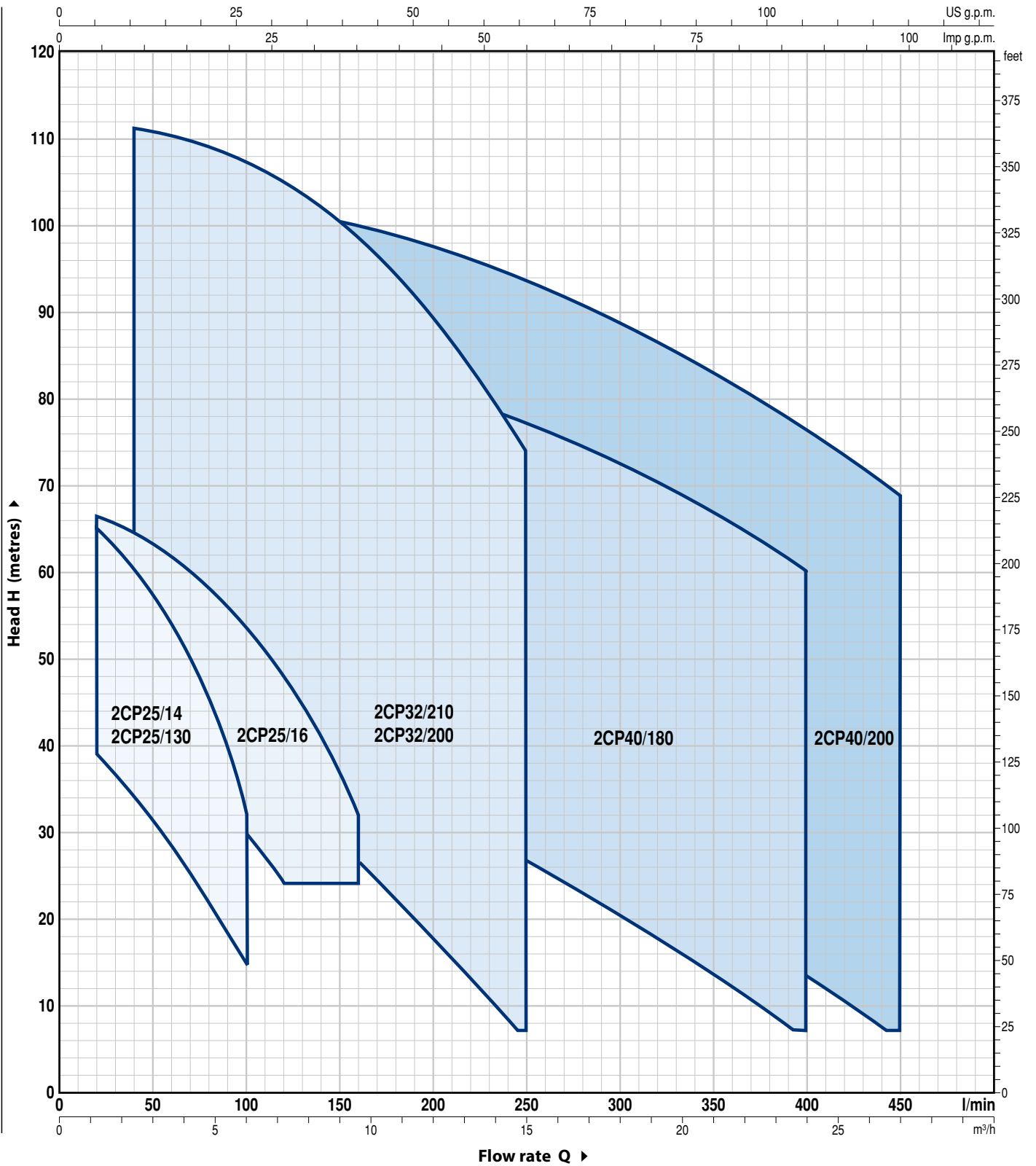
CERTIFICATIONS

Company with management system certified DNV
ISO 9001: QUALITY



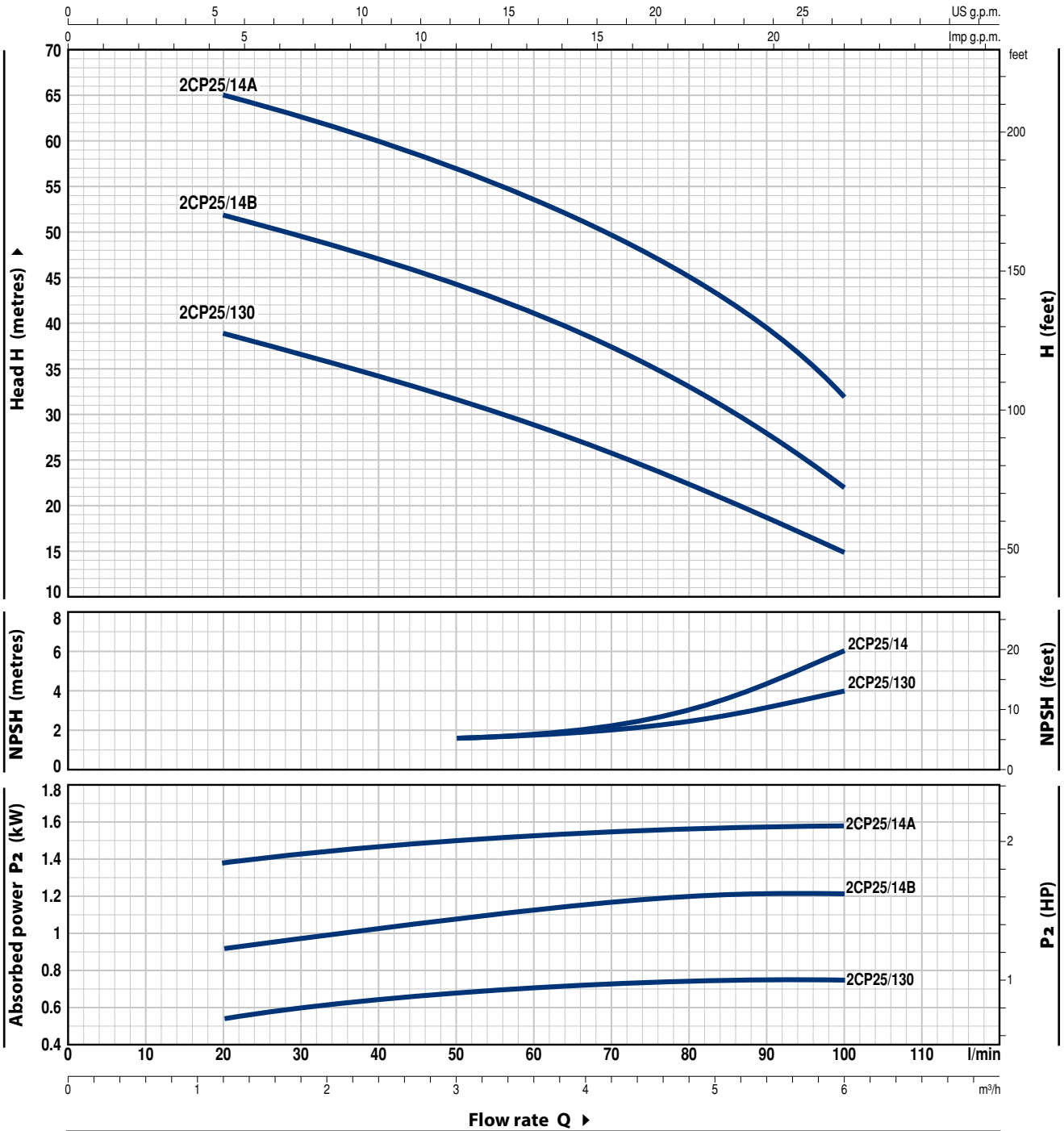
PERFORMANCE RANGE

50 Hz n= 2900 min⁻¹ HS= 0 m



CHARACTERISTIC CURVES AND PERFORMANCE DATA

50 Hz n= 2900 min⁻¹ HS= 0 m



MODEL		POWER (P ₂)			Q										
Single-phase	Three-phase	kW	HP	▲		m ³ /h	0	1.2	1.8	2.4	3.0	3.6	4.2	4.8	5.4
					l/min	0	20	30	40	50	60	70	80	90	100
2CPm 25/130	2CP 25/130	0.75	1		H metres	42	39	37	34	31	28.5	25.5	22	18	15
2CPm 25/14B	2CP 25/14B	1.1	1.5	IE3		54	52	50	47.5	44.5	41	37	33	28	22
2CPm 25/14A	2CP 25/14A	1.5	2			67	65	62	60	57	54	50	45	40	32

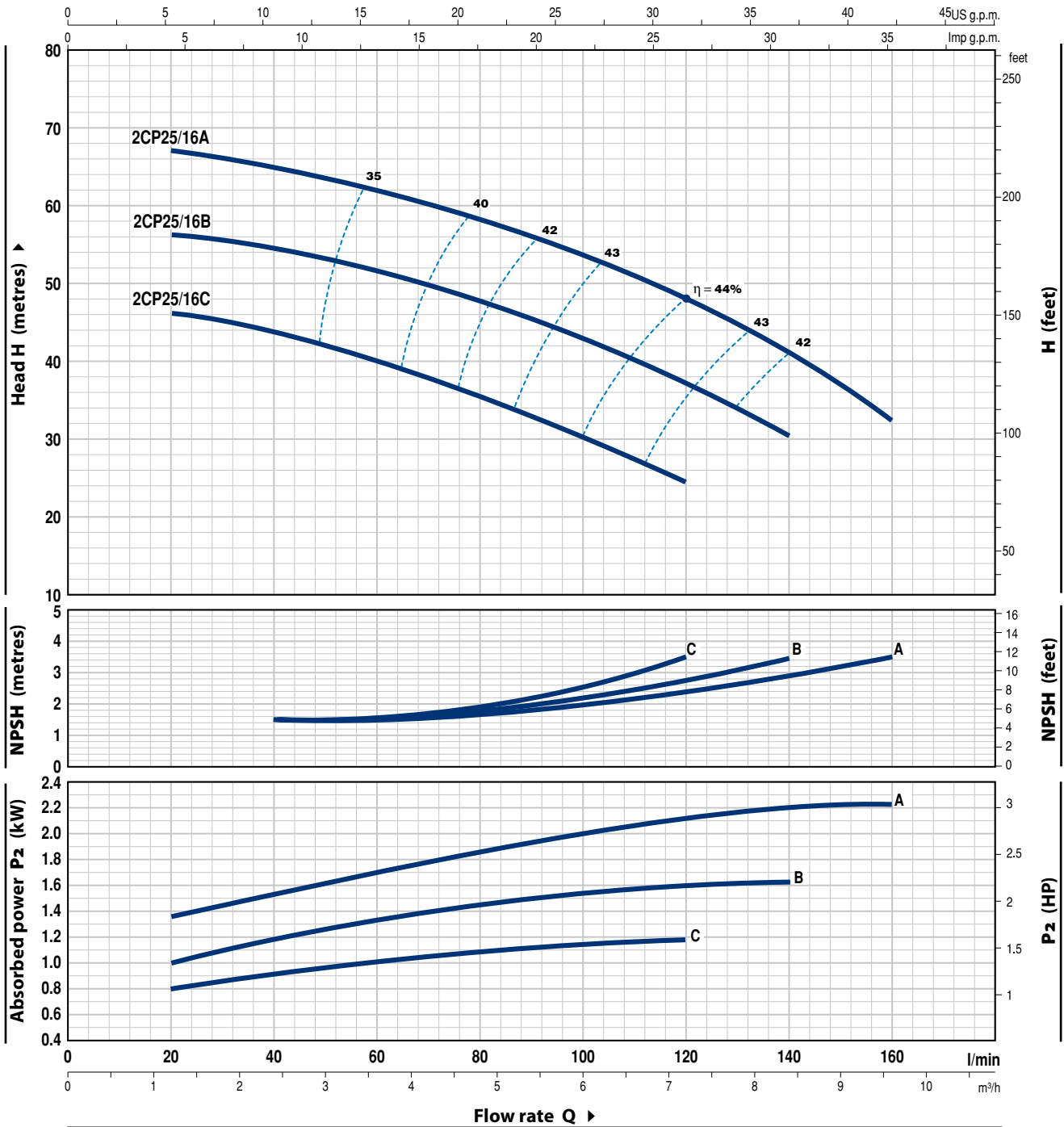
Q = Flow rate H = Total manometric head HS = Suction height

Tolerance of characteristic curves in compliance with EN ISO 9906 Grade 3B.

▲ Three-phase motor efficiency class (IEC 60034-30-1)

CHARACTERISTIC CURVES AND PERFORMANCE DATA

50 Hz n= 2900 min⁻¹ HS= 0 m



MODEL		POWER (P ₂)			Q	Flow rate															
Single-phase	Three-phase	kW	HP	▲		0	1.2	1.8	2.4	3.0	3.6	4.2	4.8	5.4	6.0	6.6	7.2	8.4	9.6		
					0	20	30	40	50	60	70	80	90	100	110	120	140	160			
2CPm 25/16C	2CP 25/16C	1.1	1.5	IE3	H metres	47	46	45	44	42	40	38	35	33	30	27	24				
2CPm 25/16B	2CP 25/16B	1.5	2			58	56	55	54	53	51	49	47	45	43	40	37	30			
2CPm 25/16A	2CP 25/16A	2.2	3			68	67	65.5	64.5	63	62	60	58	56	54	51	48	41	32		

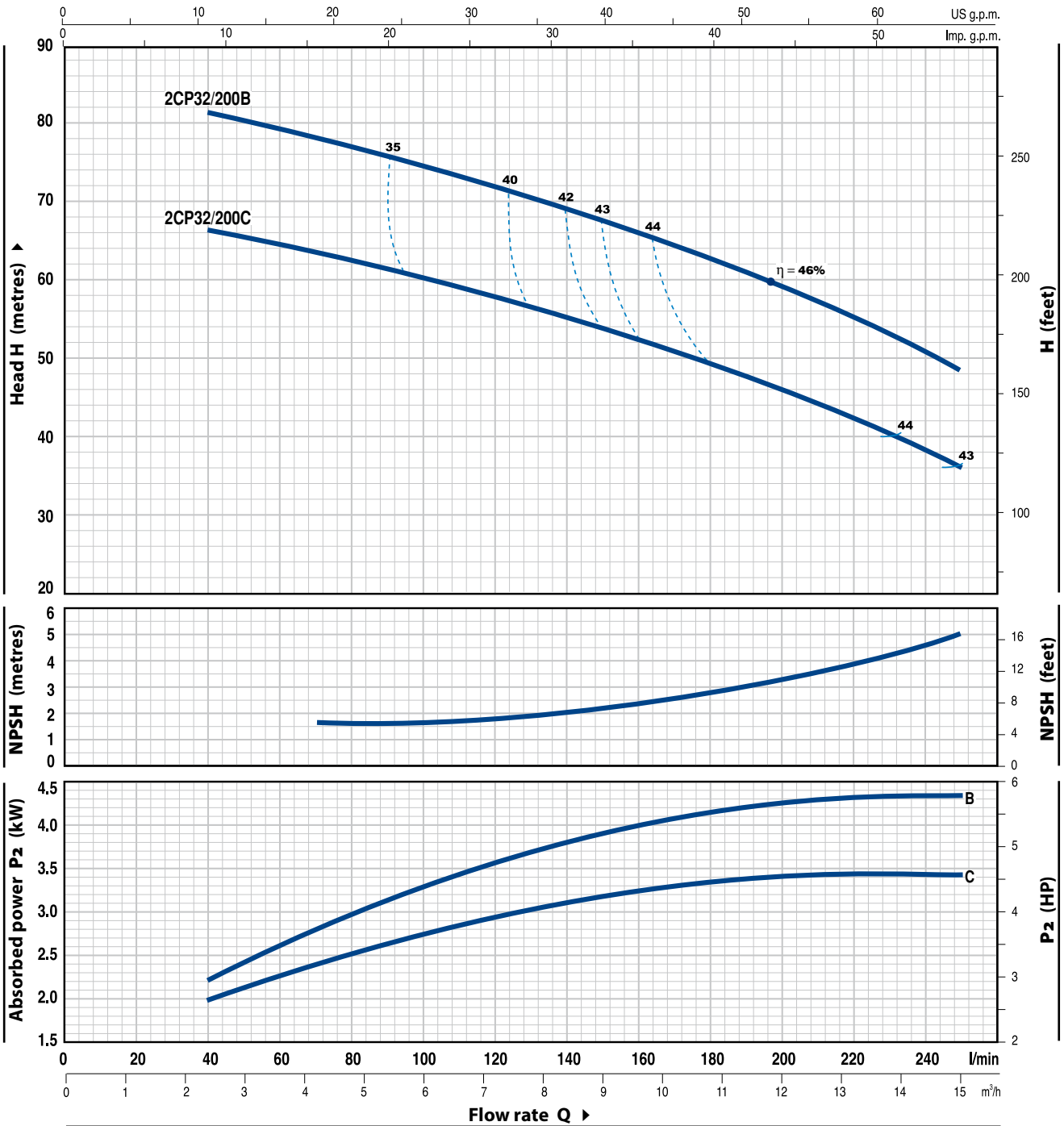
Q = Flow rate H = Total manometric head HS = Suction height

Tolerance of characteristic curves in compliance with EN ISO 9906 Grade 3B.

▲ Three-phase motor efficiency class (IEC 60034-30-1)

CHARACTERISTIC CURVES AND PERFORMANCE DATA

50 Hz n= 2900 min⁻¹ HS= 0 m



MODEL	POWER (P ₂)		▲	Q	m ³ /h																
	kW	HP			0	2.4	3.0	3.6	4.2	4.8	5.4	6.0	6.6	7.5	8.4	9.6	10.8	12.0	15.0		
Three-phase				l/min	0	40	50	60	70	80	90	100	110	125	140	160	180	200	250		
2CP 32/200C	3	4	IE3	H metres	70	66.5	65.5	65	64	63	62	60.5	59	57	55	52	49.5	46.5	36		
2CP 32/200B	4	5.5		85	81	80	79	78	77	76	75	74	72	69	66	62	58	49			

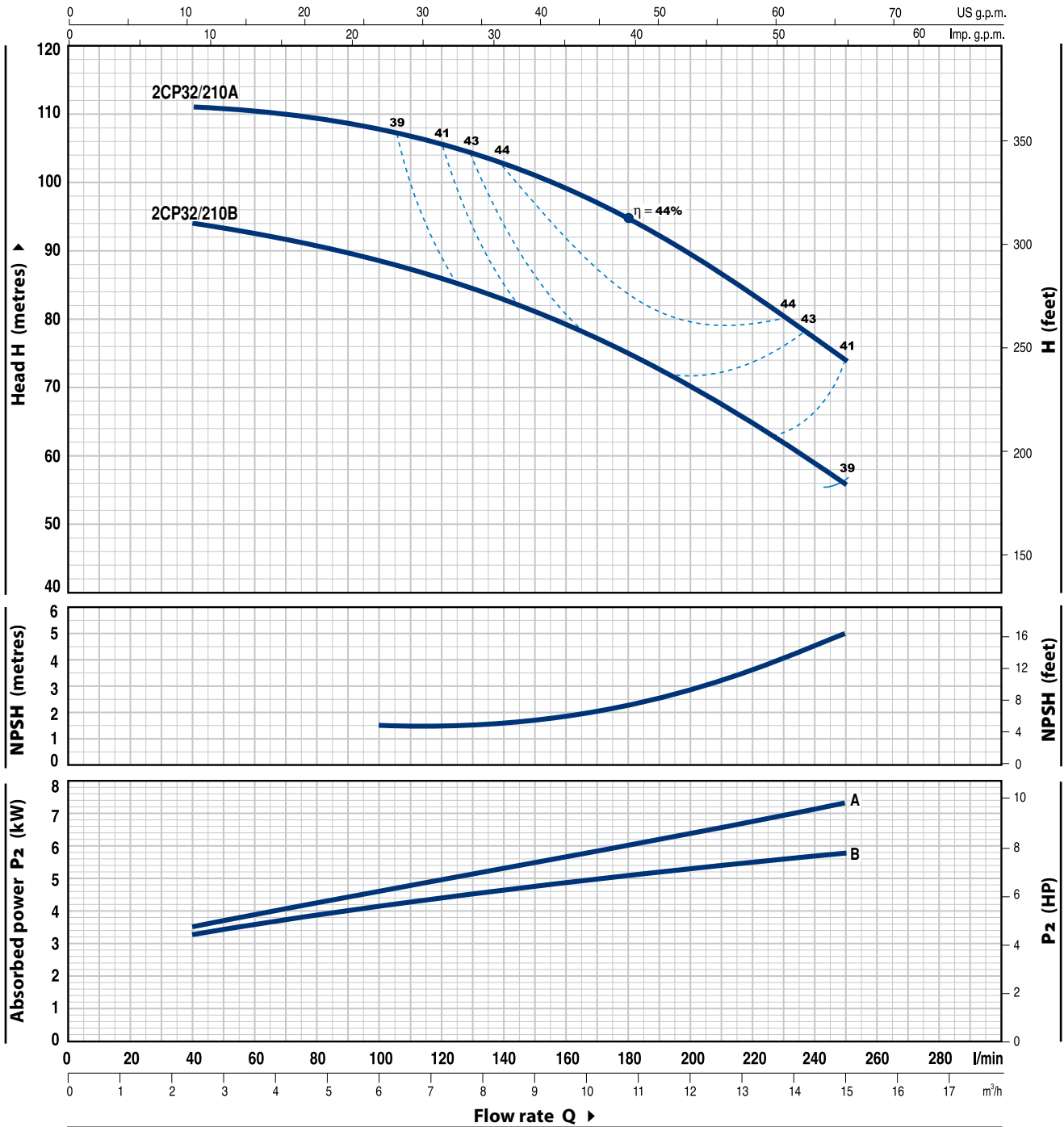
Q = Flow rate H = Total manometric head HS = Suction height

Tolerance of characteristic curves in compliance with EN ISO 9906 Grade 3B.

▲ Three-phase motor efficiency class (IEC 60034-30-1)

CHARACTERISTIC CURVES AND PERFORMANCE DATA

50 Hz n = 2900 min⁻¹ HS = 0 m



MODEL	POWER (P ₂)		▲	Q	m ³ /h																
	kW	HP			0	2.4	3.0	3.6	4.2	4.8	5.4	6.0	6.6	7.5	8.4	9.6	10.8	12.0	15.0		
Three-phase				l/min	0	40	50	60	70	80	90	100	110	125	140	160	180	200	250		
2CP 32/210B	5.5	7.5	IE3	H metres	94	94	93.5	93	92	91	90	89	87	85	83	79	75	70	56		
2CP 32/210A	7.5	10				112	111	110.8	110.5	110.3	110	109	108	107	105	102	99	94	89	74	

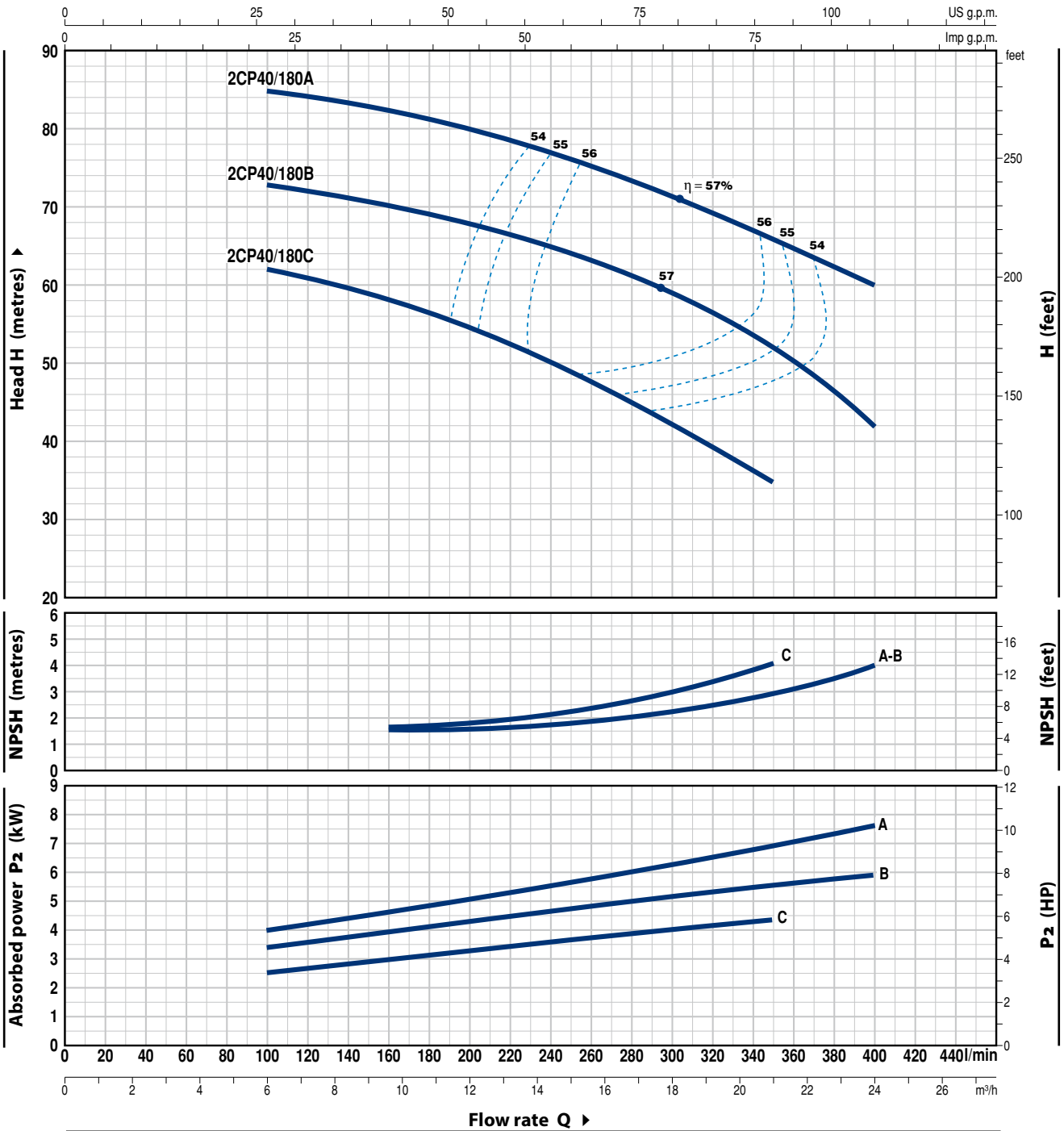
Q = Flow rate H = Total manometric head HS = Suction height

Tolerance of characteristic curves in compliance with EN ISO 9906 Grade 3B.

▲ Three-phase motor efficiency class (IEC 60034-30-1)

CHARACTERISTIC CURVES AND PERFORMANCE DATA

50 Hz n = 2900 min⁻¹ HS = 0 m



MODEL	POWER (P ₂)		▲	Q	m ³ /h															
	kW	HP			0	6.0	6.6	7.5	8.4	9.6	10.8	12.0	15.0	18.0	21.0	24.0				
Three-phase				l/min	0	100	110	125	140	160	180	200	250	300	350	400				
2CP 40/180C	4	5.5	IE3	H metres	64	62	61	60	59	58	56	54.5	49	43	35					
2CP 40/180B	5.5	7.5			76	73	72.5	72	71	70	69	67.5	64	59	52	42				
2CP 40/180A	7.5	10			88	85	84.5	84	83	82	81	79.5	76	72	67	60				

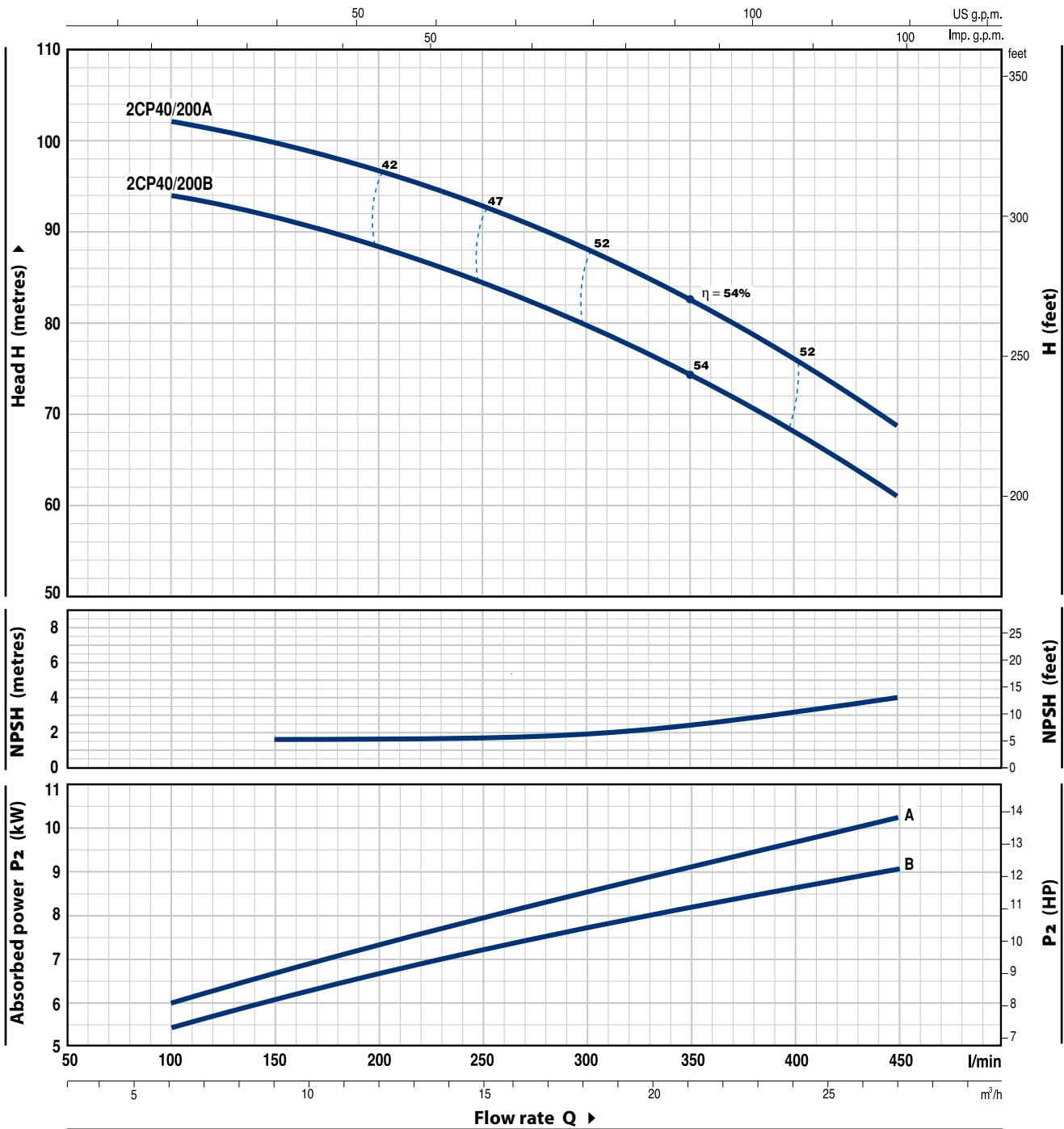
Q = Flow rate H = Total manometric head HS = Suction height

Tolerance of characteristic curves in compliance with EN ISO 9906 Grade 3B.

▲ Three-phase motor efficiency class (IEC 60034-30-1)

CHARACTERISTIC CURVES AND PERFORMANCE DATA

50 Hz n = 2900 min⁻¹ HS = 0 m



MODEL	POWER (P ₂)		▲	Q	Flow rate												
	kW	HP			0	6.0	9	10.8	12.0	15.0	18.0	21.0	24.0	27.0			
Three-phase					0	100	150	180	200	250	300	350	400	450			
2CP 40/200B	9.2	12.5	IE3	H metres	97	94	92	90	88	85	80	74	68	61			
2CP 40/200A	11	15			105	102	100	98	97	93	88	83	76	69			

Q = Flow rate H = Total manometric head HS = Suction height

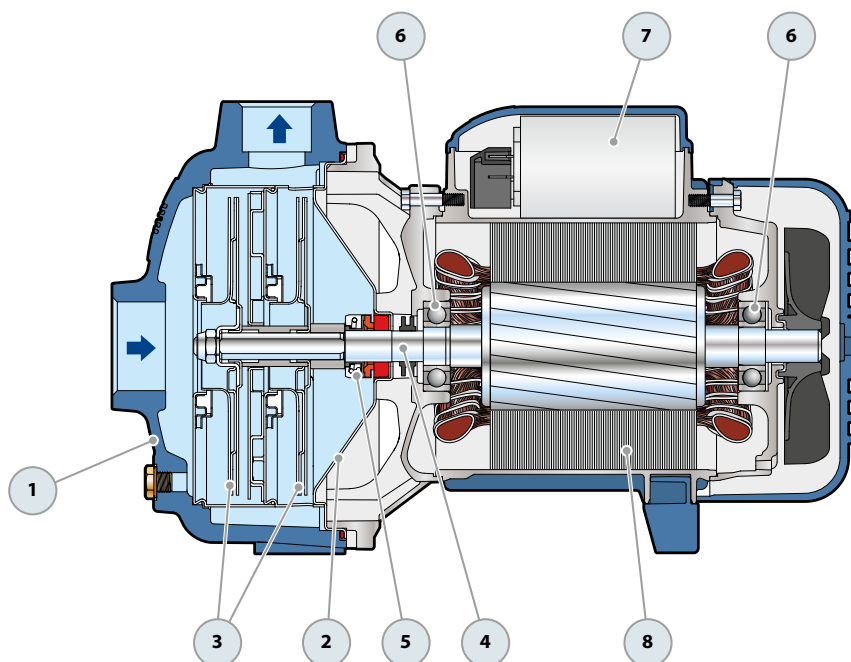
Tolerance of characteristic curves in compliance with EN ISO 9906 Grade 3B.

▲ Three-phase motor efficiency class (IEC 60034-30-1)

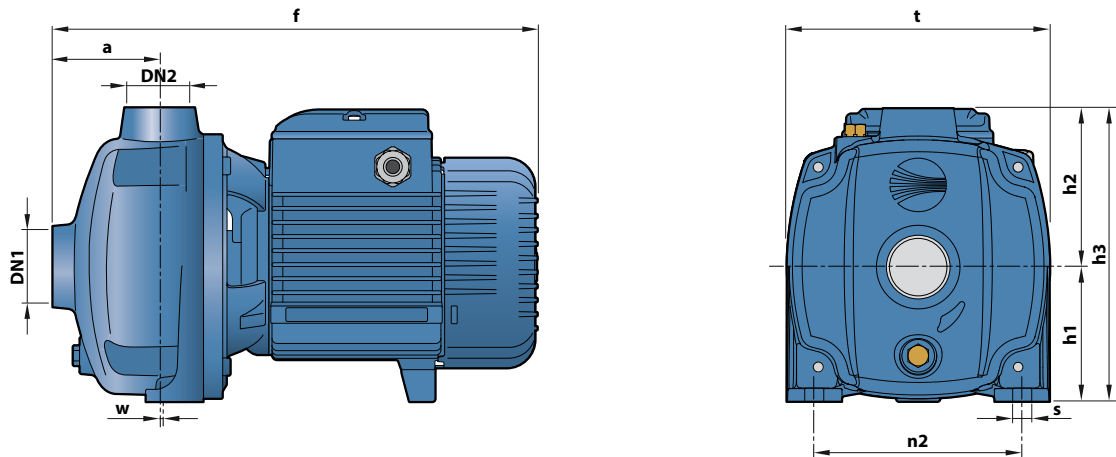
2CP 25/130

POS. COMPONENT CONSTRUCTION CHARACTERISTICS

1	PUMP BODY	Cast iron complete with threaded ports in compliance with ISO 228/1				
2	BODY BACKPLATE	Stainless steel AISI 304				
3	IMPELLERS	Stainless steel AISI 304				
4	MOTOR SHAFT	Stainless steel AISI 431				
5	MECHANICAL SEAL	<i>Seal</i>	<i>Shaft</i>	<i>Materials</i>		
		<i>Model</i>	<i>Diameter</i>	<i>Stationary ring</i>	<i>Rotational ring</i>	<i>Elastomer</i>
		AR-14	Ø 14 mm	Ceramic	Graphite	NBR
6	BEARINGS	6203 ZZ / 6203 ZZ				
7	CAPACITOR	<i>Pump</i>	<i>Capacitance</i>			
		<i>Single-phase</i>	<i>(230 V or 240 V)</i>		<i>(110 V)</i>	
		2CPm 25/130	20 µF - 450 VL		60 µF - 300 VL	
8	ELECTRIC MOTOR	<p>2CPm 25/130: single-phase 230 V - 50 Hz with thermal overload protector incorporated into the winding. 2CP 25/130: three-phase 230/400 V - 50 Hz.</p> <p>⇒ The three-phase pumps are fitted with high performance motors in class IE3 (IEC 60034-30-1)</p> <ul style="list-style-type: none"> - Insulation: class F - Protection: IP X4 				



DIMENSIONS AND WEIGHT



MODEL		PORTS		DIMENSIONS mm									kg	
Single-phase	Three-phase	DN1	DN2	a	f	h1	h2	h3	t	n2	w	s	1~	3~
2CPm 25/130	2CP 25/130	1¼"	1"	73	332	92	109	201	180	142	2.5	10	14.6	14.7

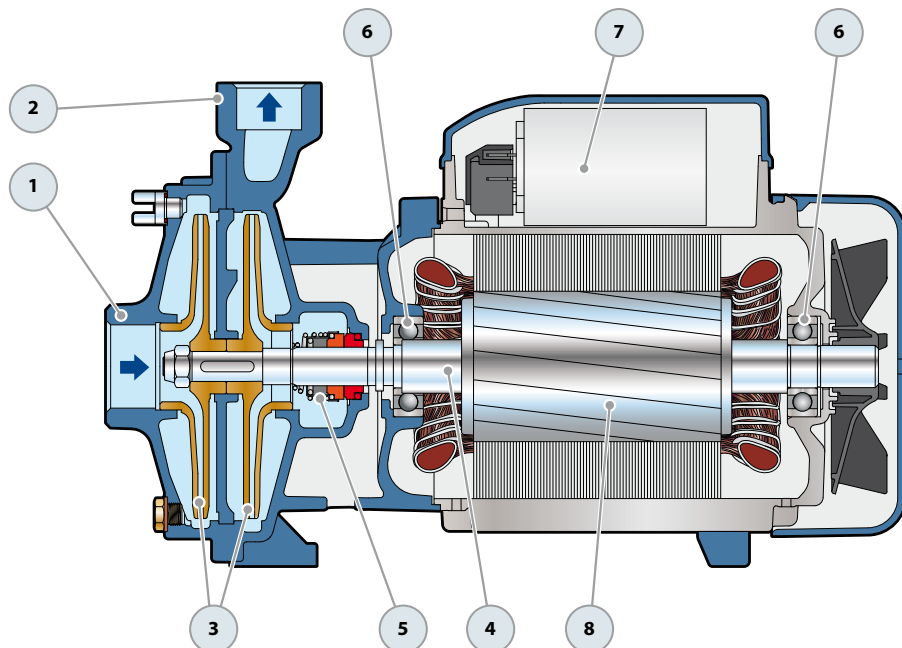
ABSORPTION

MODEL	VOLTAGE		
	230 V	240 V	110 V
2CPm 25/130	6.3 A	6.0 A	12.6 A

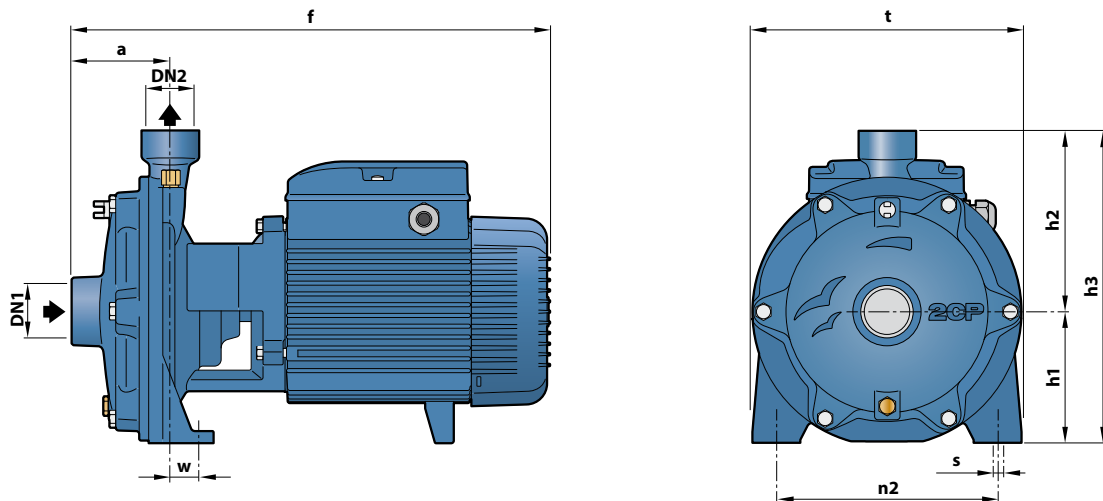
MODEL	VOLTAGE					
	230 V	400 V	690 V	240 V	415 V	720 V
2CP 25/130	4.6 A	2.6 A	1.5 A	4.3 A	2.5 A	1.4 A

POS. COMPONENT CONSTRUCTION CHARACTERISTICS

1 SUCTION BODY	Cast iron complete with threaded suction port in compliance with ISO 228/1					
2 DELIVERY BODY	Cast iron complete with threaded suction port in compliance with ISO 228/1					
3 IMPELLERS	Brass					
4 MOTOR SHAFT	Stainless steel AISI 431					
5 MECHANICAL SEAL	Pump	Seal	Shaft	Materials		
	<i>Model</i>	<i>Model</i>	<i>Diameter</i>	<i>Stationary ring</i>	<i>Rotational ring</i>	<i>Elastomer</i>
	2CP 25/14	FN-18	Ø 18 mm	Graphite	Ceramic	NBR
	2CP 25/16					
	2CP 32/200	FN-20	Ø 20 mm	Graphite	Ceramic	NBR
	2CP 32/210					
	2CP 40/180	FN-24	Ø 24 mm	Graphite	Ceramic	NBR
2CP 40/200						
2CP 40/200	FN-32 NU	Ø 32 mm	Graphite	Ceramic	NBR	
6 BEARINGS	Pump	Model				
	2CP 25/14	6204 ZZ - C3 / 6204 ZZ - C3				
	2CP 25/16					
	2CP 32/200	6206 ZZ - C3 / 6206 ZZ - C3				
	2CP 32/210	6306 ZZ - C3 / 6206 ZZ - C3				
	2CP 40/180					
	2CP 40/200	6308 ZZ - C3 / 6308 ZZ - C3				
7 CAPACITOR	Pump	Capacitance				
	<i>Single-phase</i>	<i>(230 V or 240 V)</i>	<i>(110 V)</i>			
	2CPm 25/14B	25 µF - 450 VL	60 µF - 250 VL			
	2CPm 25/16C	45 µF - 450 VL	80 µF - 250 VL			
	2CPm 25/14A					
	2CPm 25/16B	50 µF - 450 VL	-			
2CPm 25/16A						
8 ELECTRIC MOTOR	2CPm: single-phase 230 V - 50 Hz with thermal overload protector incorporated into the winding.					
	2CP: three-phase 230/400 V - 50 Hz up to 4 kW 400/690 V - 50 Hz from 5.5 to 11 kW					
<p>➔ The three-phase pumps are fitted with high performance motors in class IE3 (IEC 60034-30-1)</p> <ul style="list-style-type: none"> - Insulation: class F - Protection: IP X4 						



DIMENSIONS AND WEIGHT



MODEL		PORTS		DIMENSIONS mm									kg	
Single-phase	Three-phase	DN1	DN2	a	f	h1	h2	h3	t	n2	w	s	1~	3~
2CPm 25/14B	2CP 25/14B	1 1/4"	1"	82	404	93	130	223	200	162	17	10	19.7	20.6
2CPm 25/14A	2CP 25/14A					110	151	261	225	185	26	11	24.6	24.6
2CPm 25/16C	2CP 25/16C					93	130	223	200	162	17	10	19.3	20.4
2CPm 25/16B	2CP 25/16B					110	151	261	226	185	26	11	24.3	24.4
2CPm 25/16A	2CP 25/16A					424	110	151	261	226	185	26	11	27.1
-	2CP 32/200C	1 1/2"	1 1/4"	95	464	132	172	304	266	206	19	14	-	39.4
-	2CP 32/200B												-	43.1
-	2CP 32/210B												-	54.7
-	2CP 32/210A	2"	1 1/2"	108	541	139	195	334	292	232	21	14	-	60.5
-	2CP 40/180C												-	48.6
-	2CP 40/180B												-	54.2
-	2CP 40/180A												-	59.7
-	2CP 40/200B												-	93.5
-	2CP 40/200A	110	566	160	195	355	298	-	93.2					

ABSORPTION

MODEL	VOLTAGE		
Single-phase	230 V	240 V	110 V
2CPm 25/14B	7.7 A	7.4 A	15.4 A
2CPm 25/14A	10.5 A	10.0 A	21.0 A
2CPm 25/16C	7.7 A	7.4 A	15.4 A
2CPm 25/16B	10.0 A	9.6 A	-
2CPm 25/16A	13.8 A	13.2 A	-

MODEL	VOLTAGE					
Three-phase	230 V	400 V	690 V	240 V	415 V	720 V
2CP 25/14B	5.4 A	3.1 A	1.8 A	5.2 A	3.0 A	1.7 A
2CP 25/14A	6.9 A	4.0 A	2.3 A	6.7 A	3.9 A	2.2 A
2CP 25/16C	5.4 A	3.1 A	1.8 A	5.2 A	3.0 A	1.7 A
2CP 25/16B	6.9 A	4.0 A	2.3 A	6.6 A	3.8 A	2.2 A
2CP 25/16A	9.2 A	5.3 A	3.1 A	8.7 A	5.0 A	2.9 A
2CP 32/200C	12.8 A	7.4 A	4.3 A	12.3 A	7.1 A	4.1 A
2CP 32/200B	18.2 A	10.5 A	6.1 A	17.7 A	10.2 A	5.7 A
2CP 32/210B	21.7 A	12.5 A	7.2 A	19.9 A	11.5 A	6.9 A
2CP 32/210A	27.7 A	16.0 A	9.2 A	26.0 A	15.0 A	8.9 A
2CP 40/180C	17.0 A	9.8 A	5.7 A	16.5 A	9.5 A	5.6 A
2CP 40/180B	21.3 A	12.3 A	7.1 A	20.8 A	12.0 A	6.9 A
2CP 40/180A	26.7 A	15.4 A	8.9 A	26.0 A	15.0 A	8.7 A
2CP 40/200B	30.3 A	17.5 A	10.1 A	29.1 A	16.8 A	9.7 A
2CP 40/200A	34.6 A	20.0 A	11.6 A	33.2 A	19.2 A	11.1 A

PALLETIZATION

MODEL		GROUPAGE	CONTAINER
Single-phase	Three-phase	n. pumps	n. pumps
2CPm 25/14B	2CP 25/14B	50	70
2CPm 25/14A	2CP 25/14A	50	70
2CPm 25/16C	2CP 25/16C	50	70
2CPm 25/16B	2CP 25/16B	50	70
2CPm 25/16A	2CP 25/16A	35	49
-	2CP 32/200C	18	24
-	2CP 32/200B	18	24
-	2CP 32/210B	12	16
-	2CP 32/210A	12	16
-	2CP 40/180C	12	16
-	2CP 40/180B	12	16
-	2CP 40/180A	12	16
-	2CP 40/200B	6	9
-	2CP 40/200A	6	9