

B

B

A

A



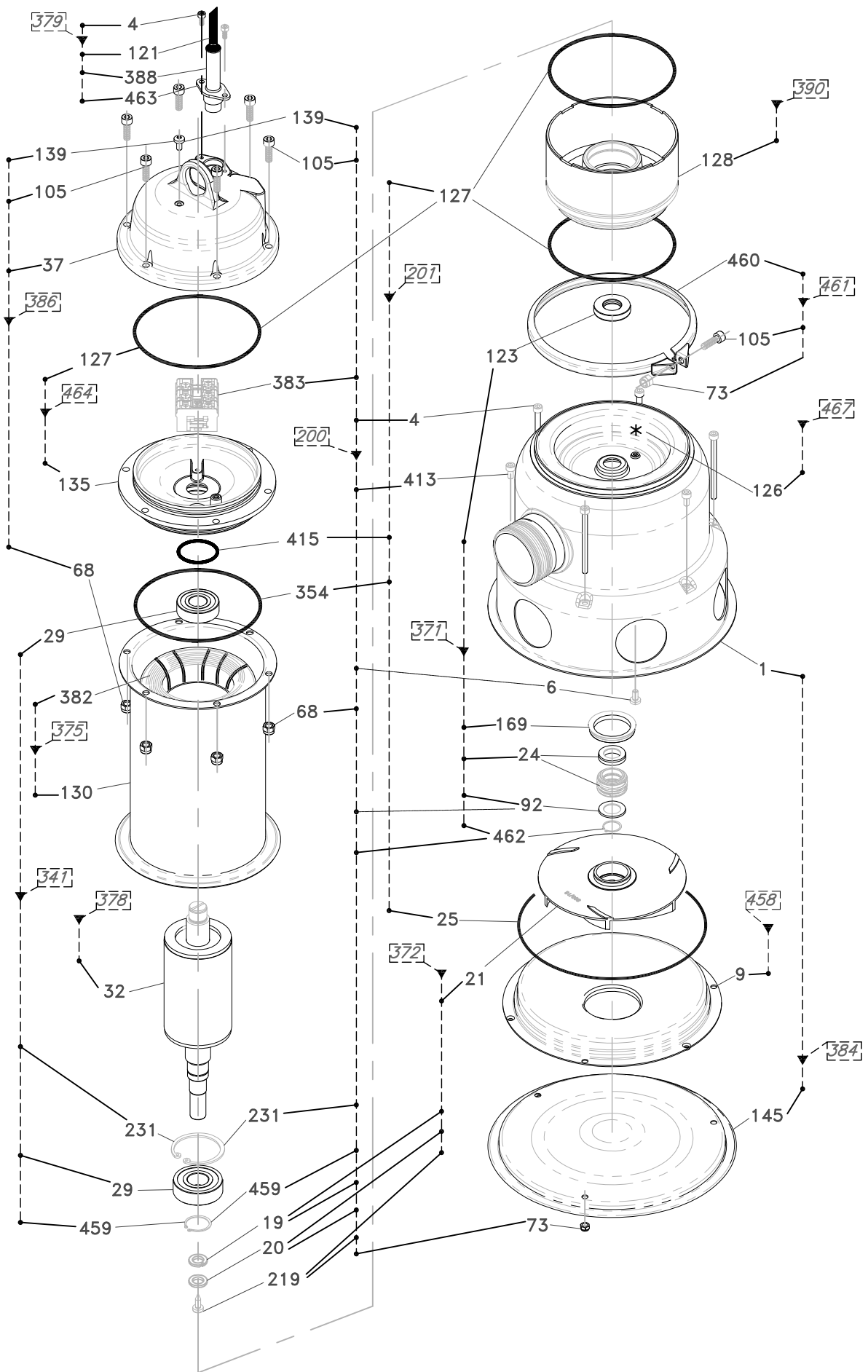
Pentair Water Italy S.r.l.  
 Via Masaccio, 13  
 56010 Lugnano (PI)  
 ITALY

Drawn Vaglini  
 Approved M. Bernacca

Title PRIOX  
 Date (dd/mm/yy) 21-12-2008  
 Dwg #

Sheet 1 of 1

DR010005\_02



B

B

A

A



Pentair Water Italy S.r.l.  
 Via Masaccio,13  
 56010 Lugnano (PI)  
 ITALY

Drawn Vaglini  
 Approved M.Bernacca

Title PRIOX 800  
 Date (dd/mm/yy) 08-01-2009  
 Dwg #

DR080001\_02

Sheet 1 of 1

This drawing is the absolute property of Pentair Water Italy S.r.l. It may not be reproduced in any form without the written permission of Pentair Water Italy S.r.l.