

Pentair Water Italy S.r.l.
 Via Masaccio, 13
 56010 Lignano (PI)
 ITALY

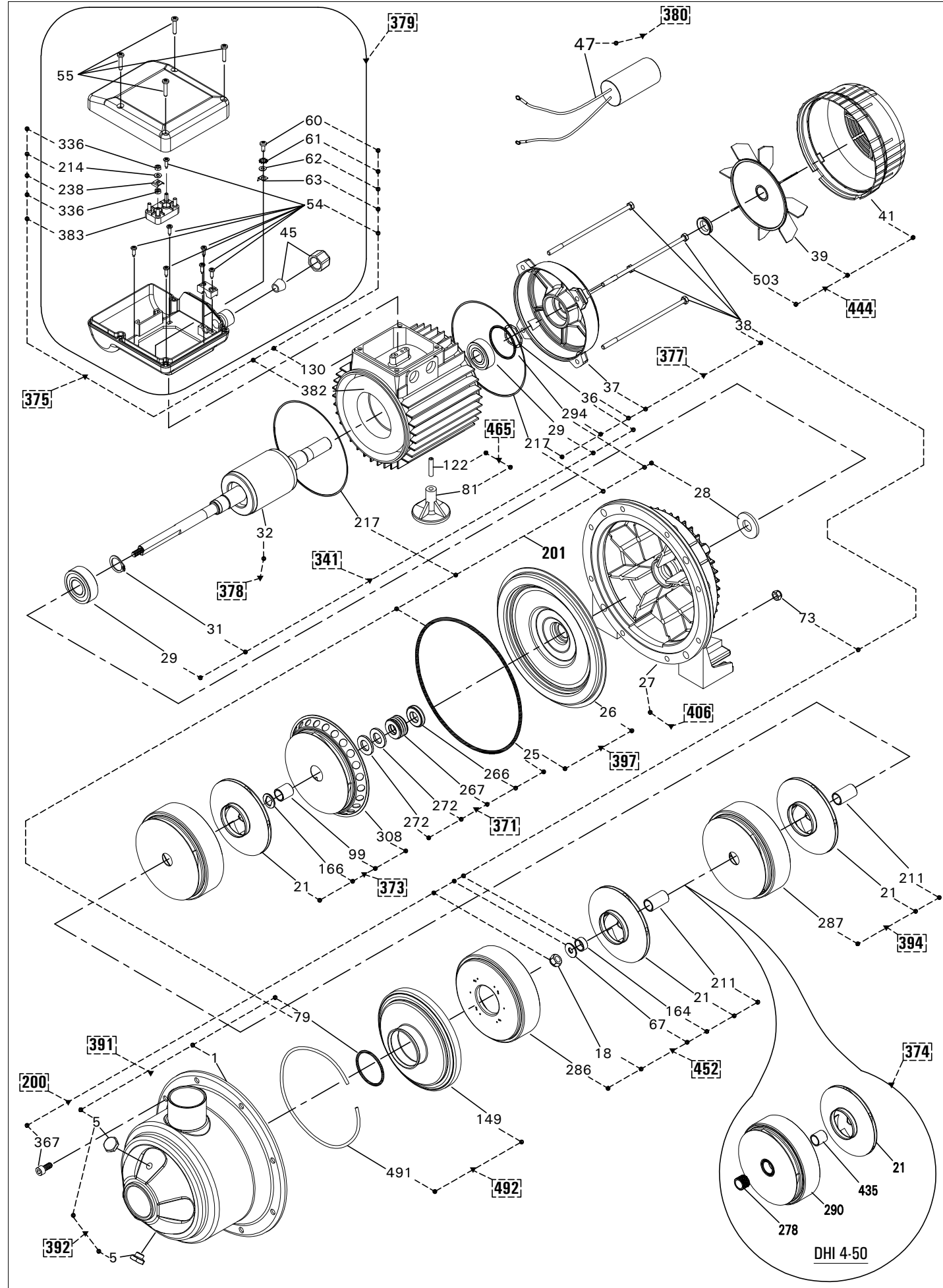
Drawn A. Bertola
 Approved M. Bernacca

Title DHI 2
 Date (dd/mm/yy) 12/07/2013
 Dwg #

DHI 2-60
 DHI 2-40 DHI 2-70

Sheet 1 of 1

This drawing is the absolute property of Pentair Water Italy S.r.l. It may not be reproduced in any form without the written permission of Pentair Water Italy S.r.l.



Pentair Water Italy S.r.l.
 Via Masaccio, 13
 56010 Lignano (PI)
 ITALY

Drawn A. Bertola
 Approved M. Bernacca

Title DHI 4
 Date (dd/mm/yy) 12/07/2014

Dwg # DR130005_00

Sheet 1 of 1

This drawing is the absolute property of Pentair Water Italy S.r.l. It may not be reproduced in any form without the written permission of Pentair Water Italy S.r.l.